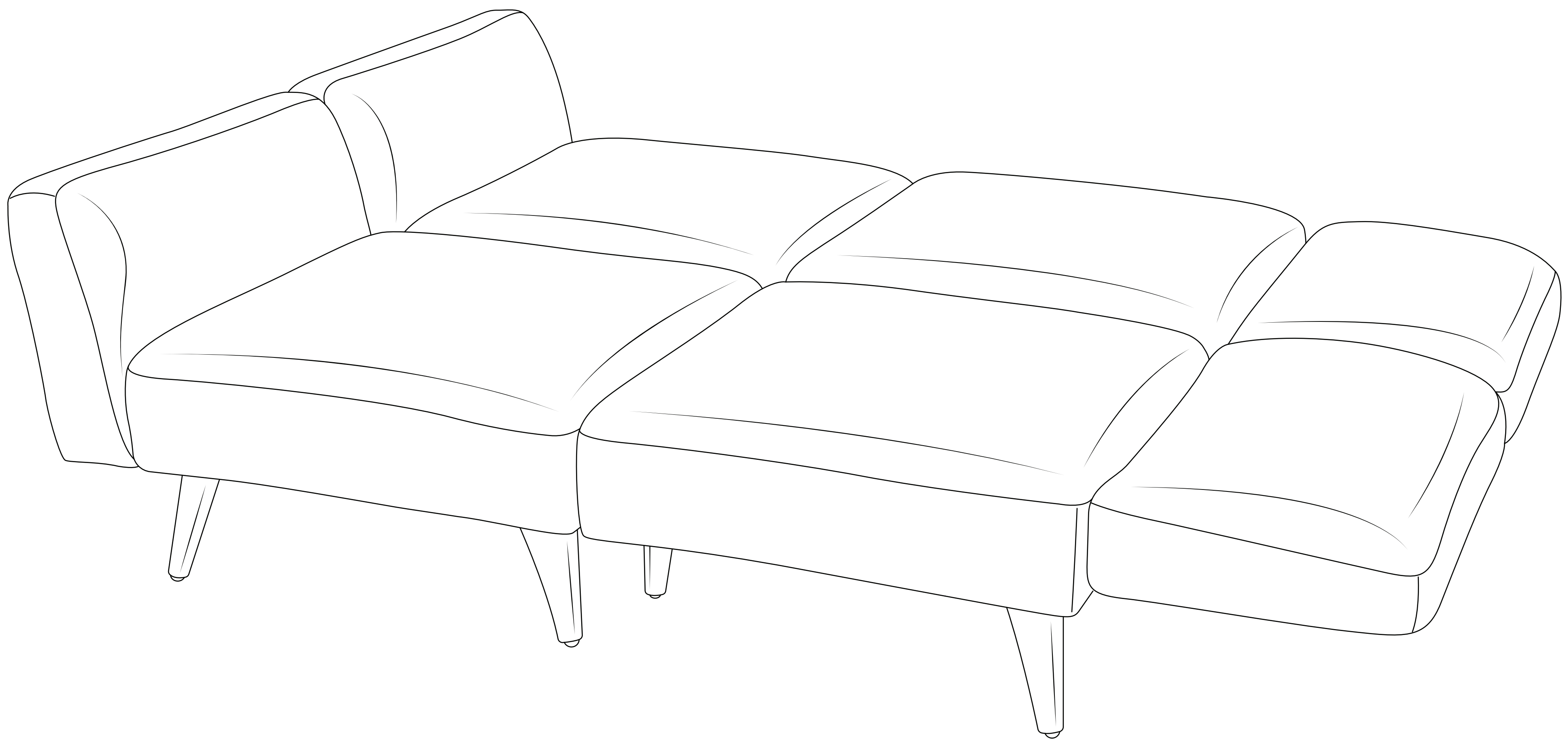
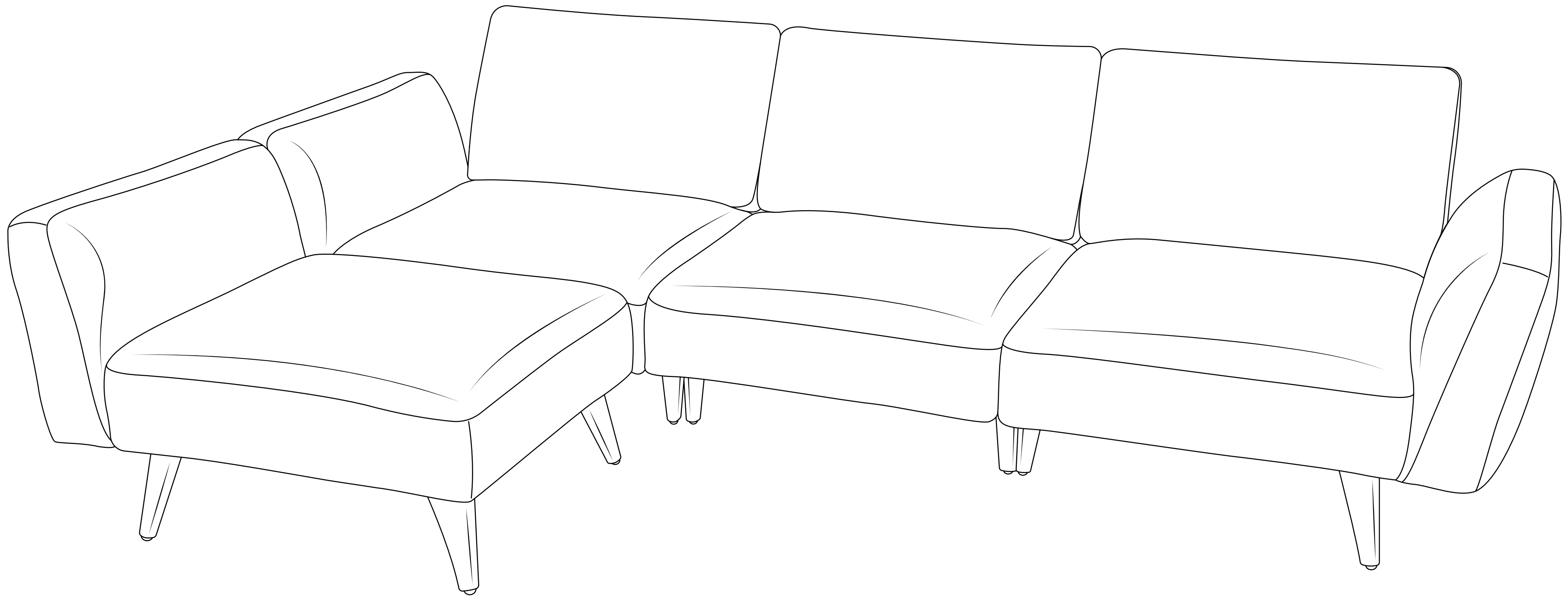


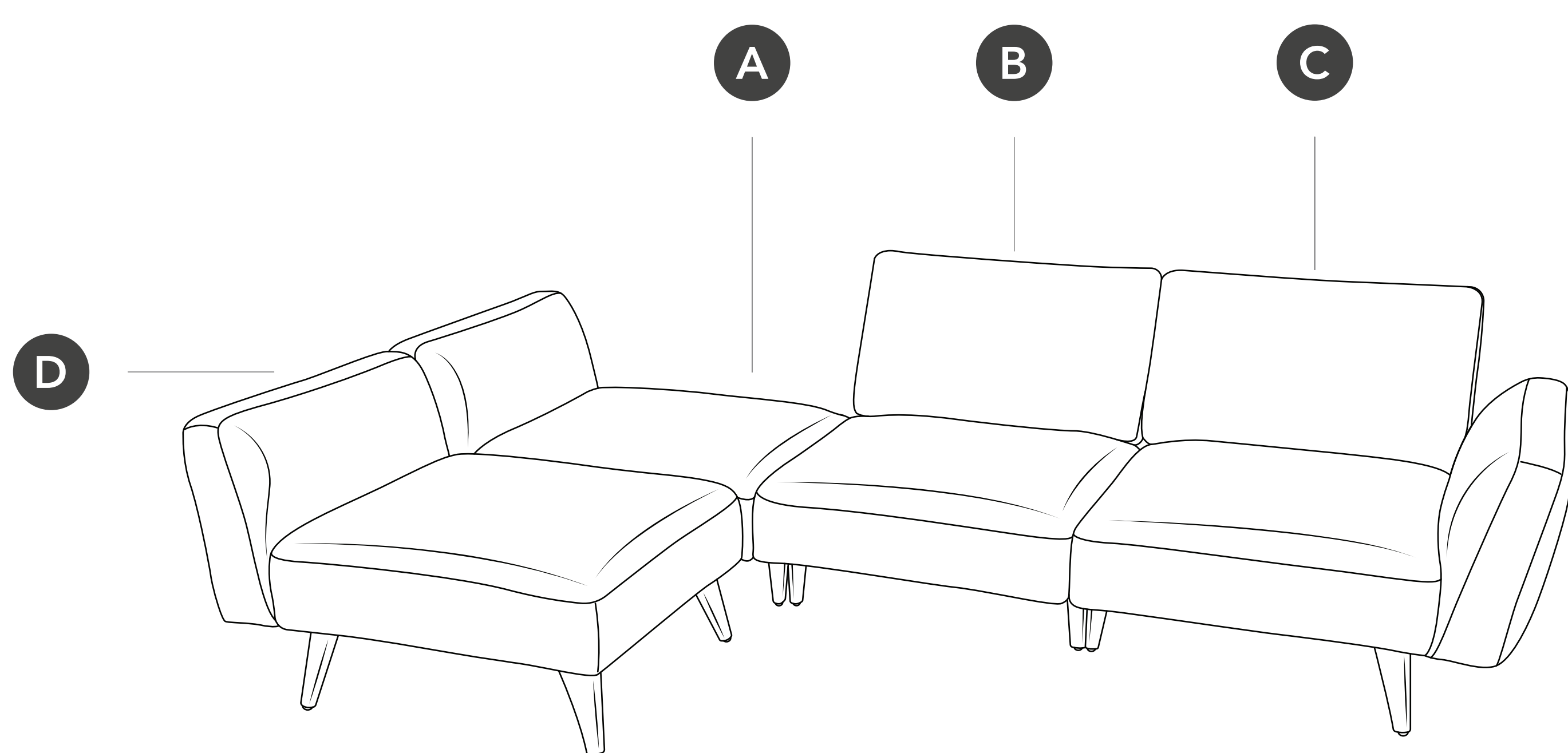
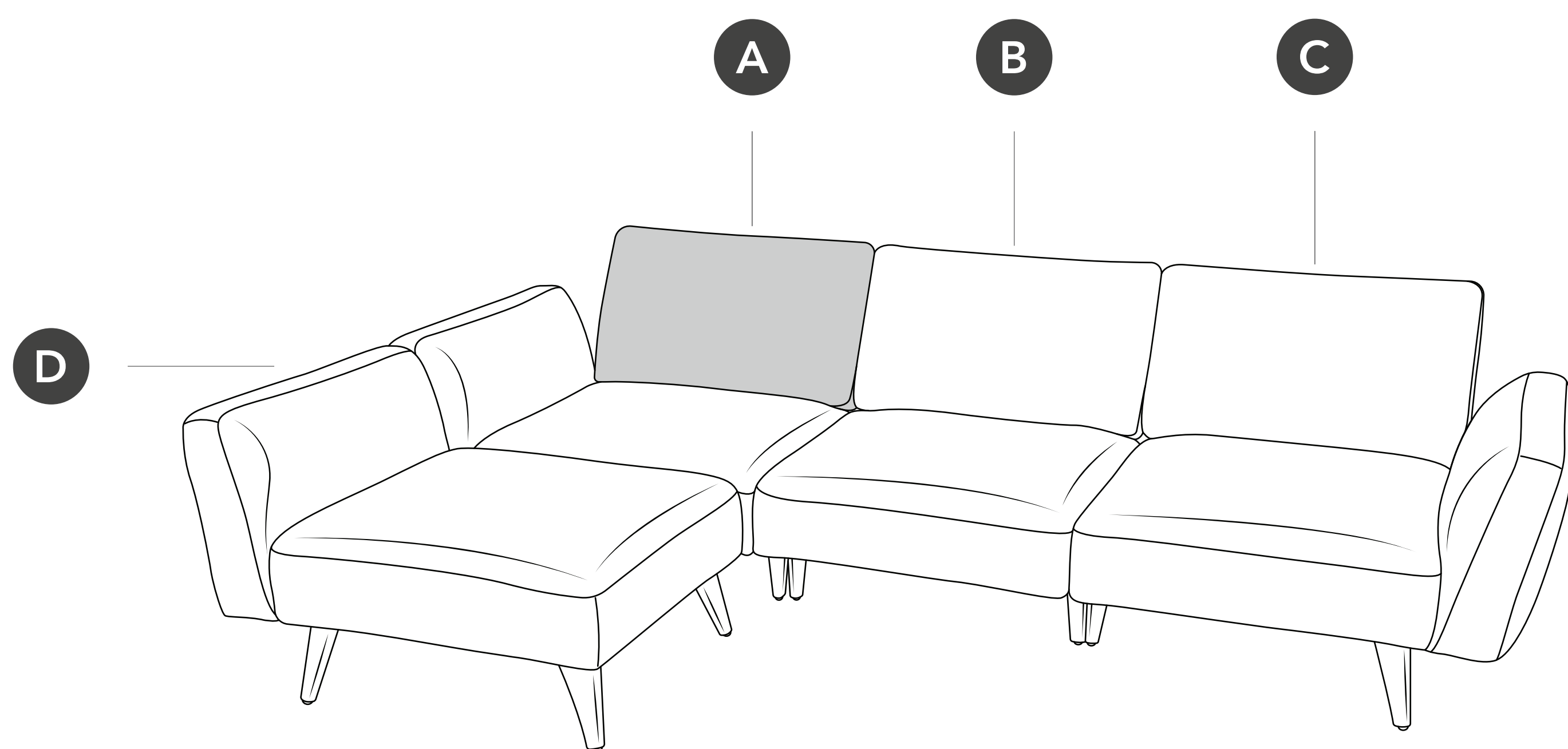
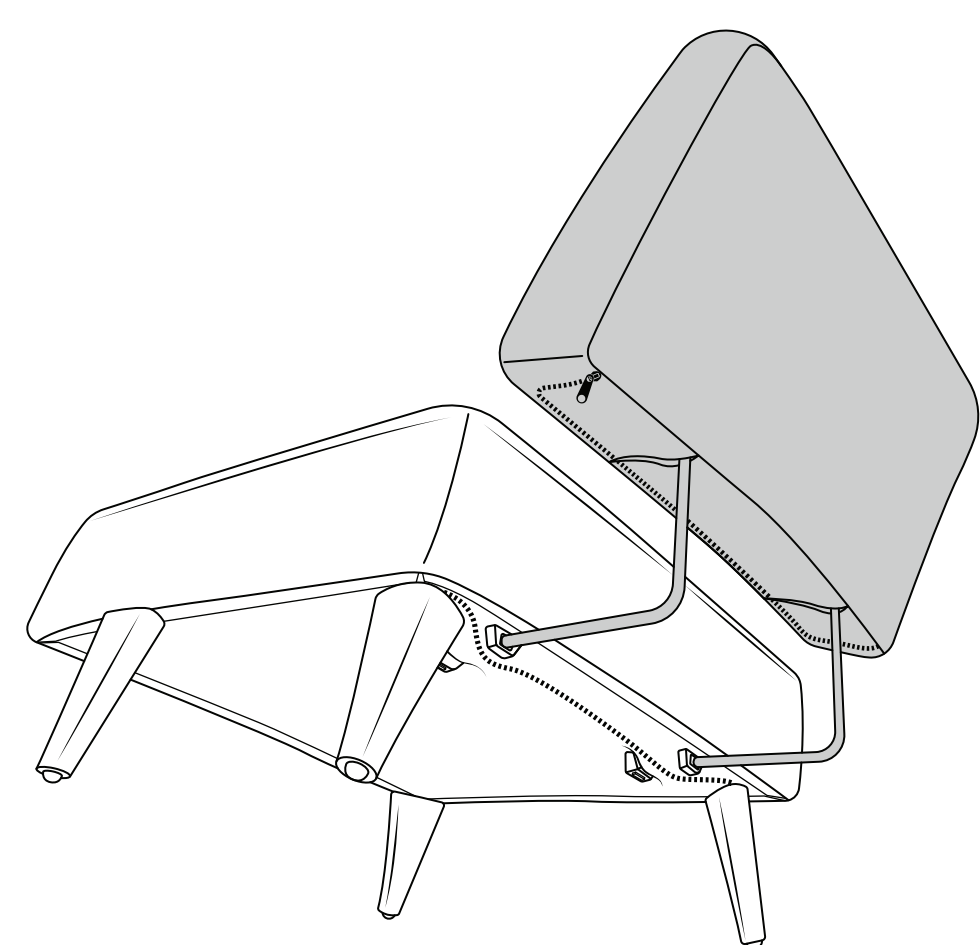
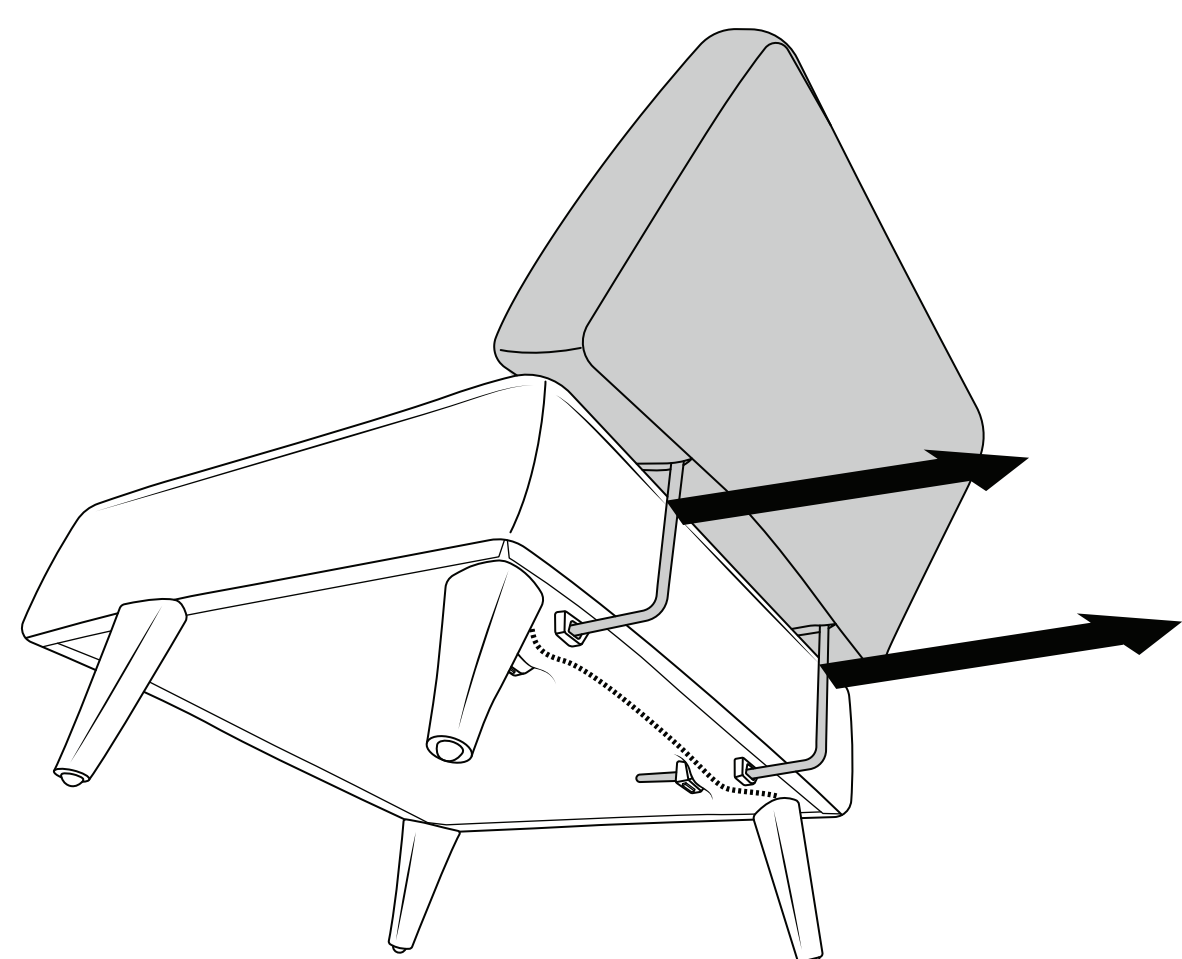
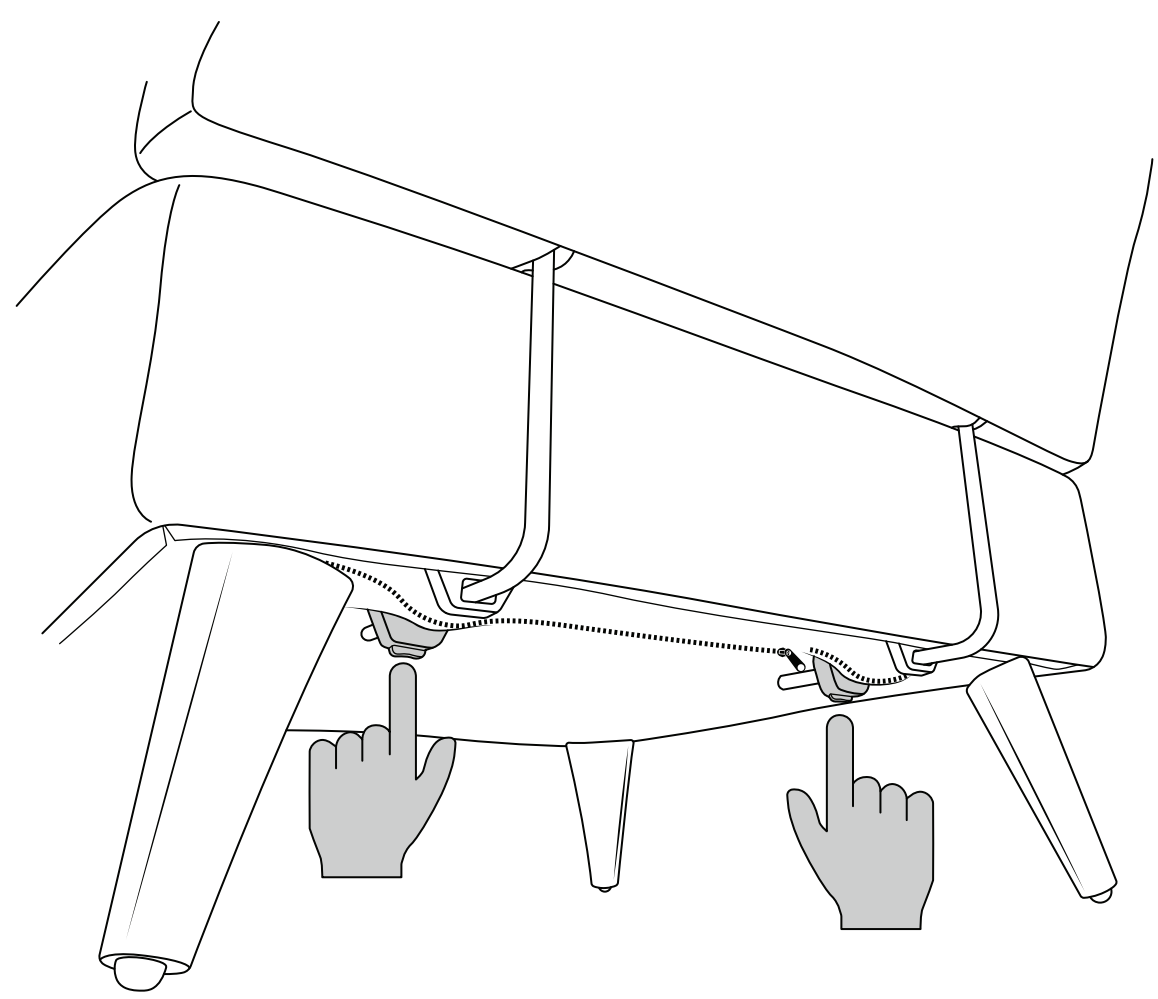
Let's turn this sofa into a bed



1

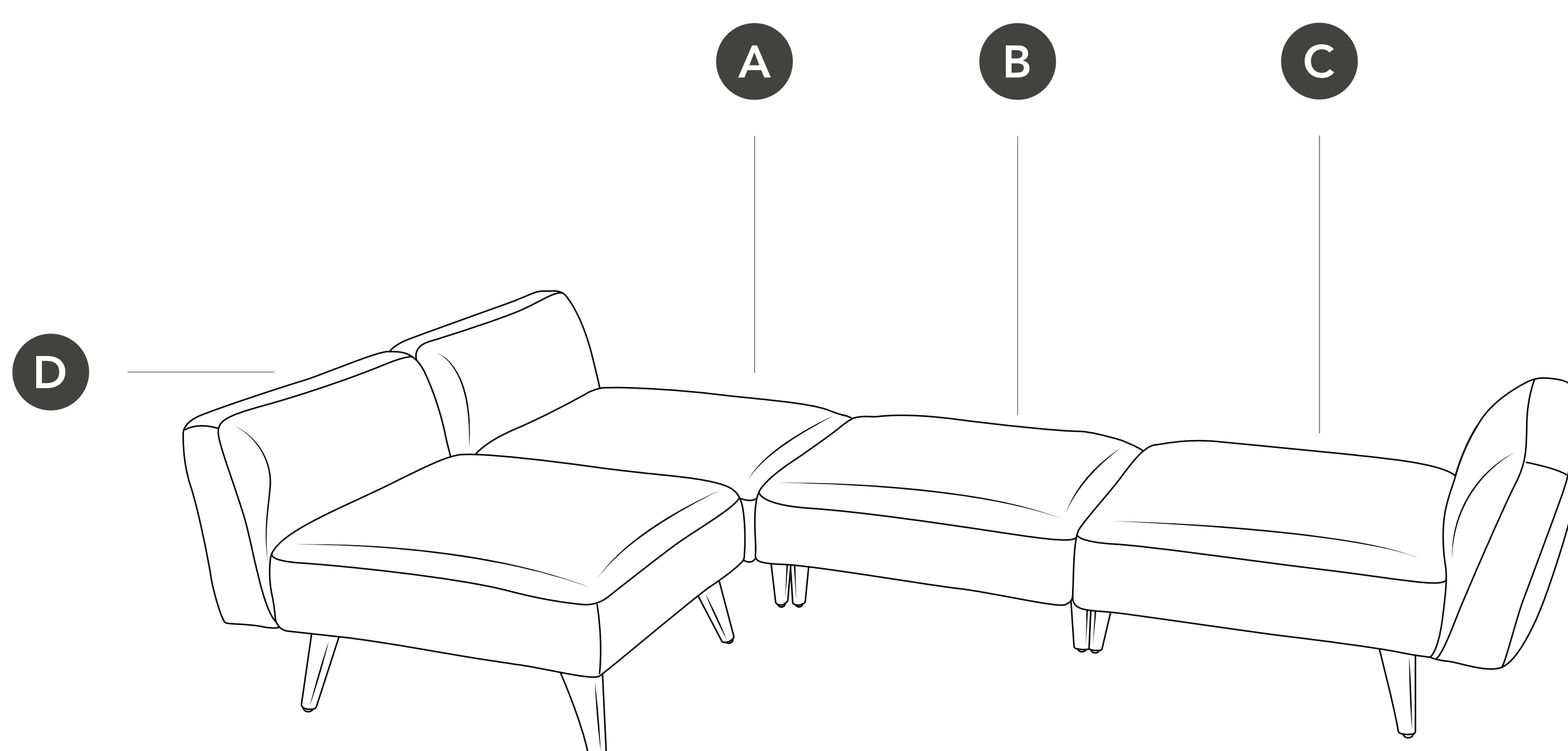
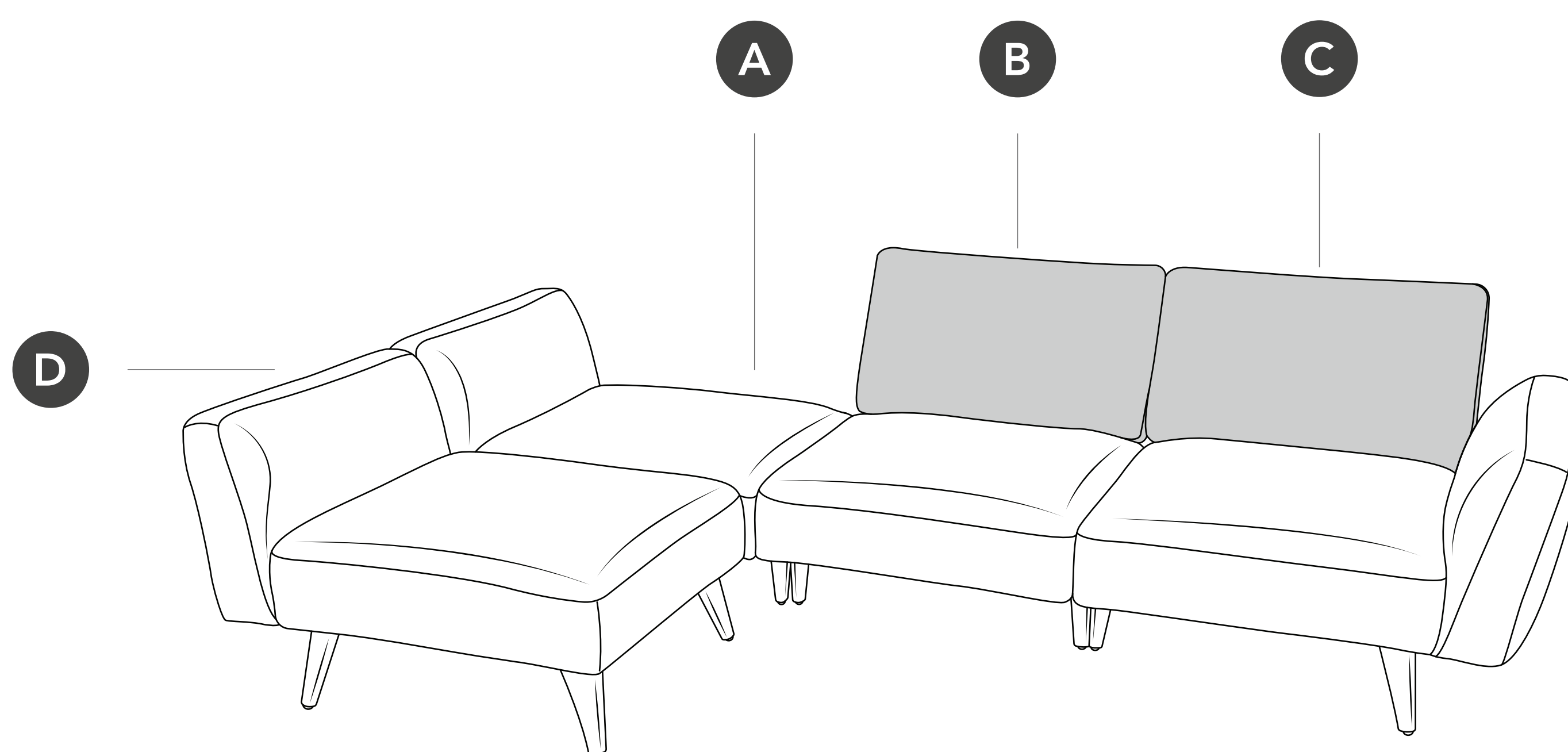
### Remove back cushion A

Press buttons and slide cushion outwards



2

### Remove back cushions B and C

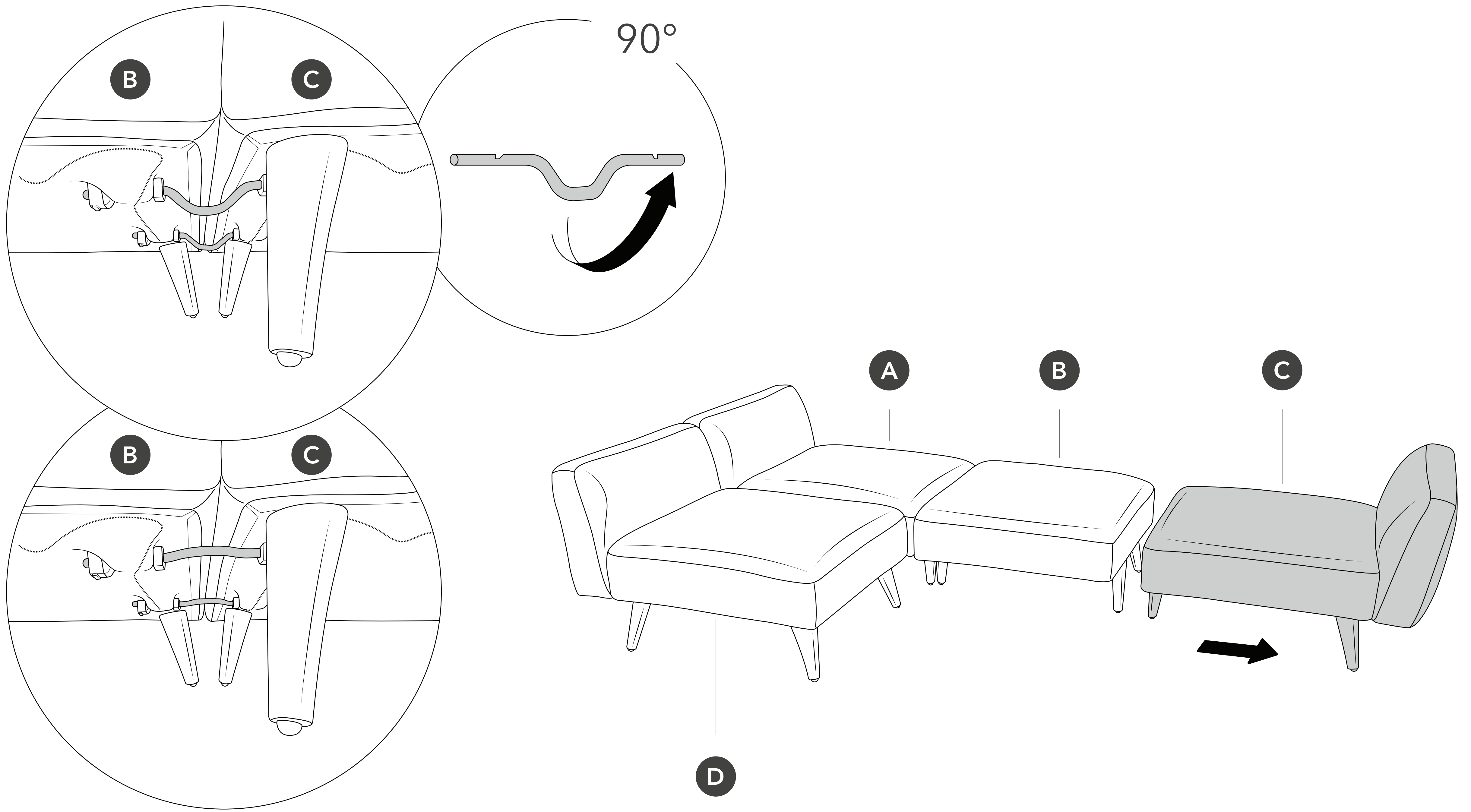




3

### Separate seat C

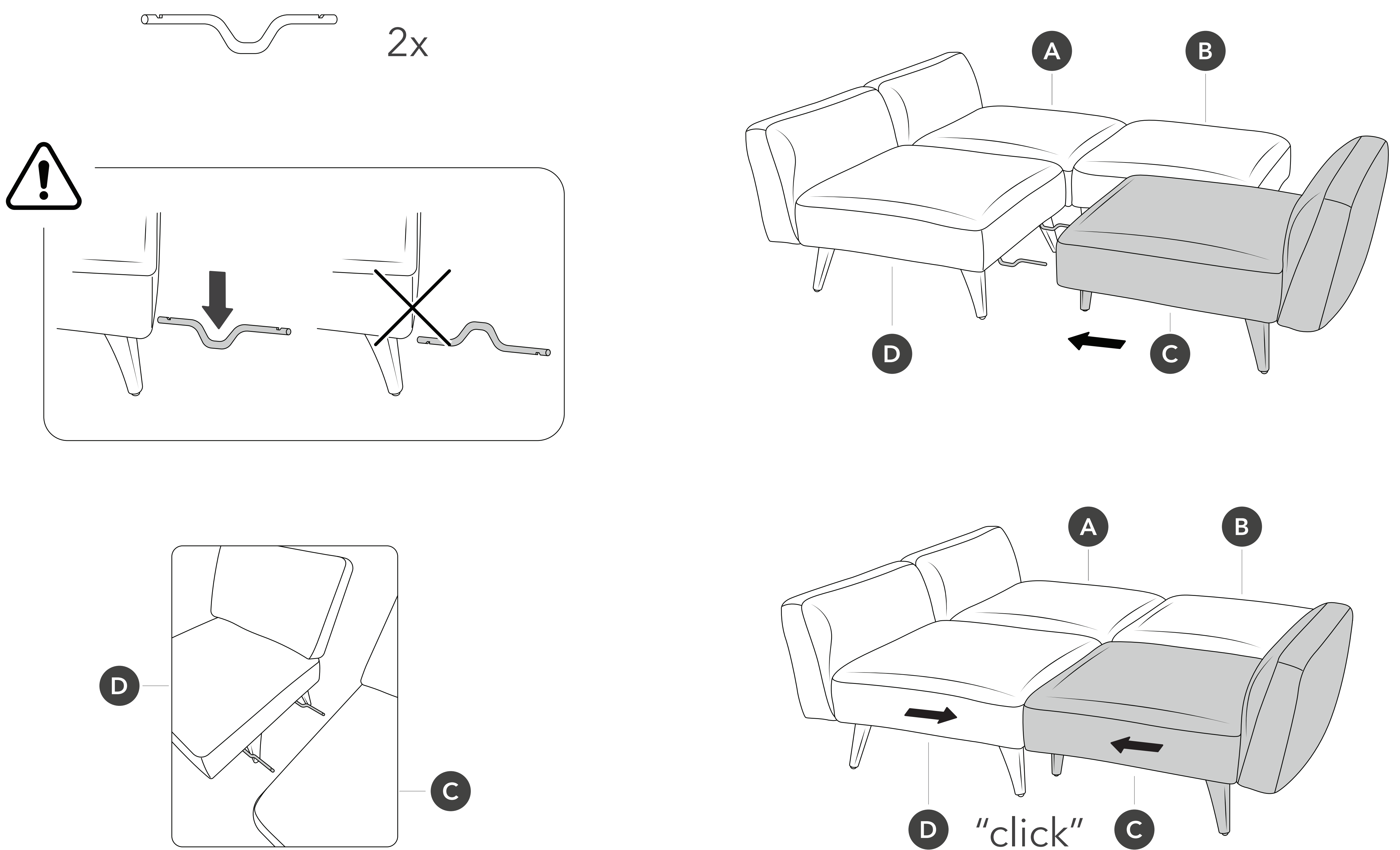
Rotate joining brackets 90° to unlock and then slide seat C away from seat B. Remove joining brackets



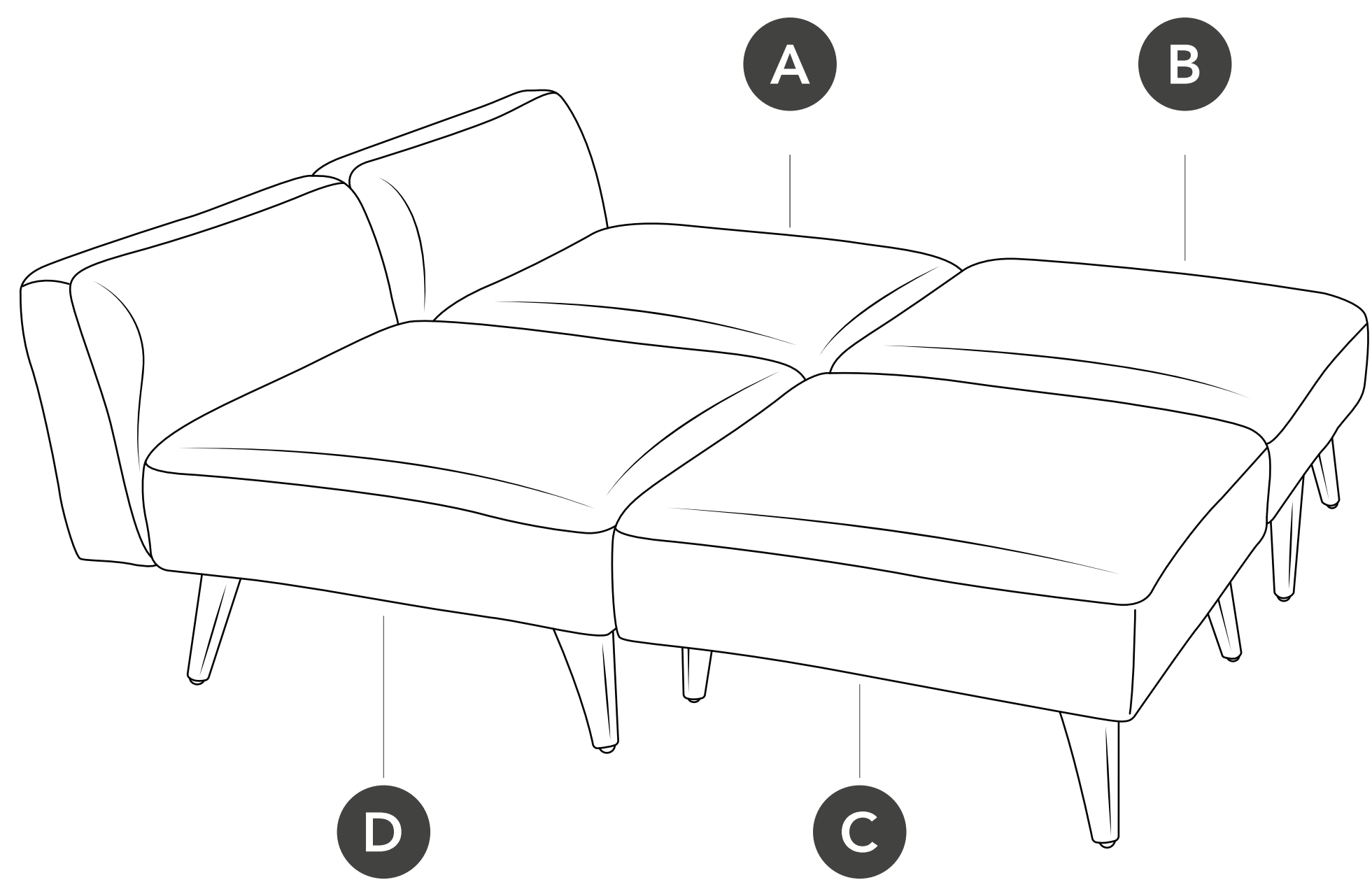
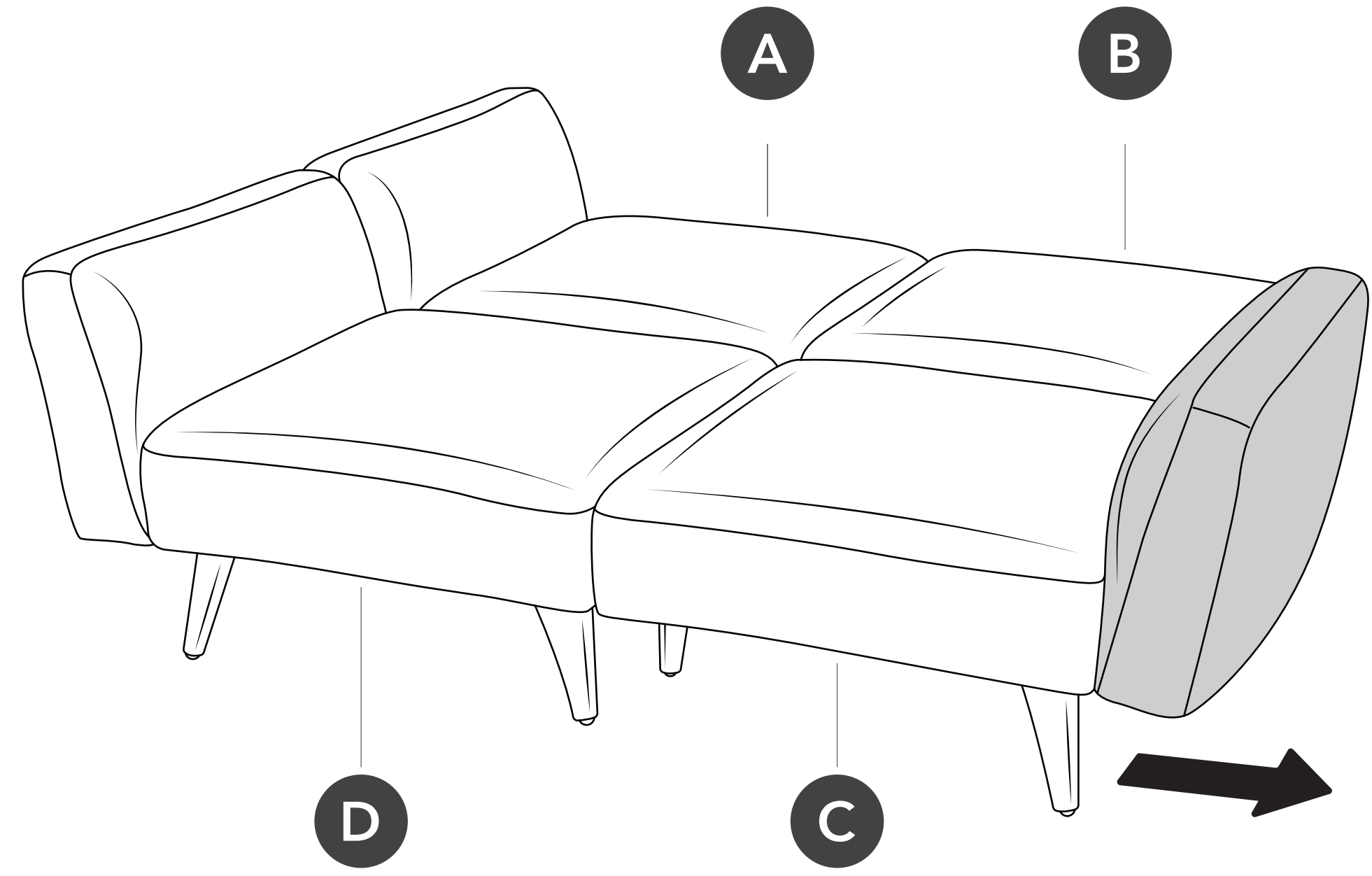
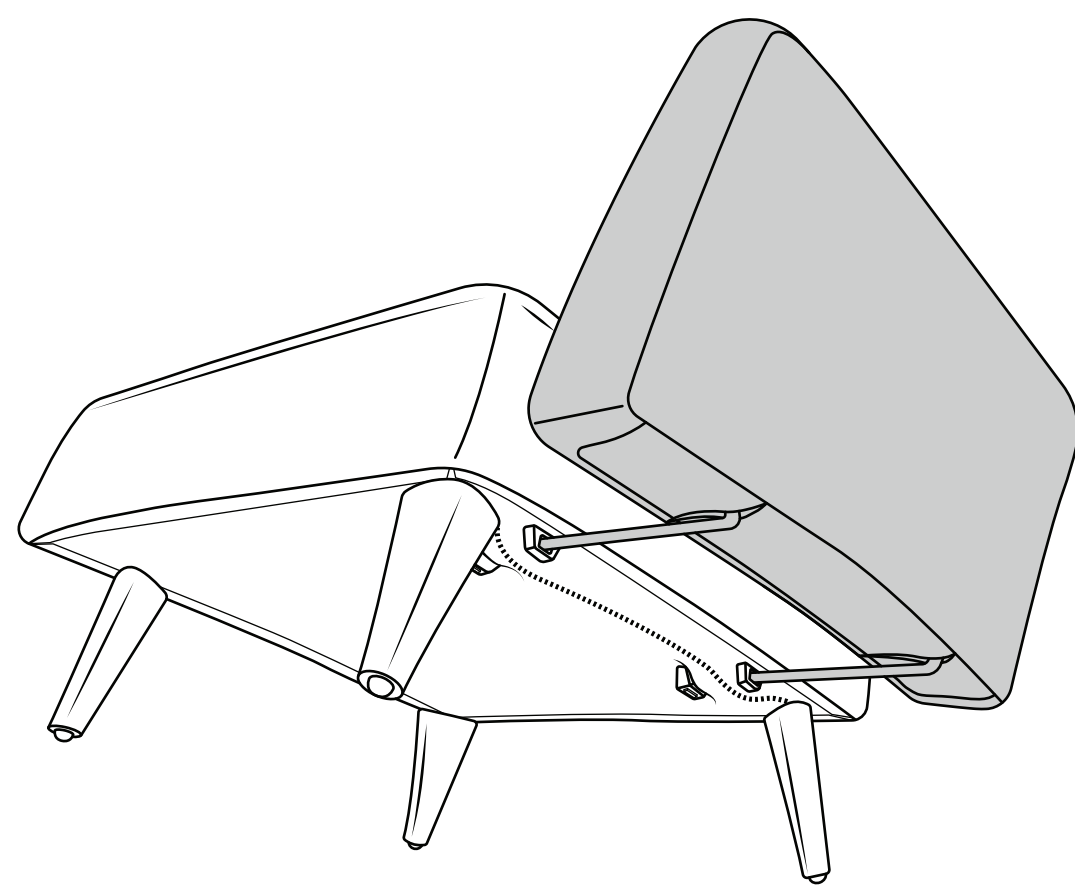
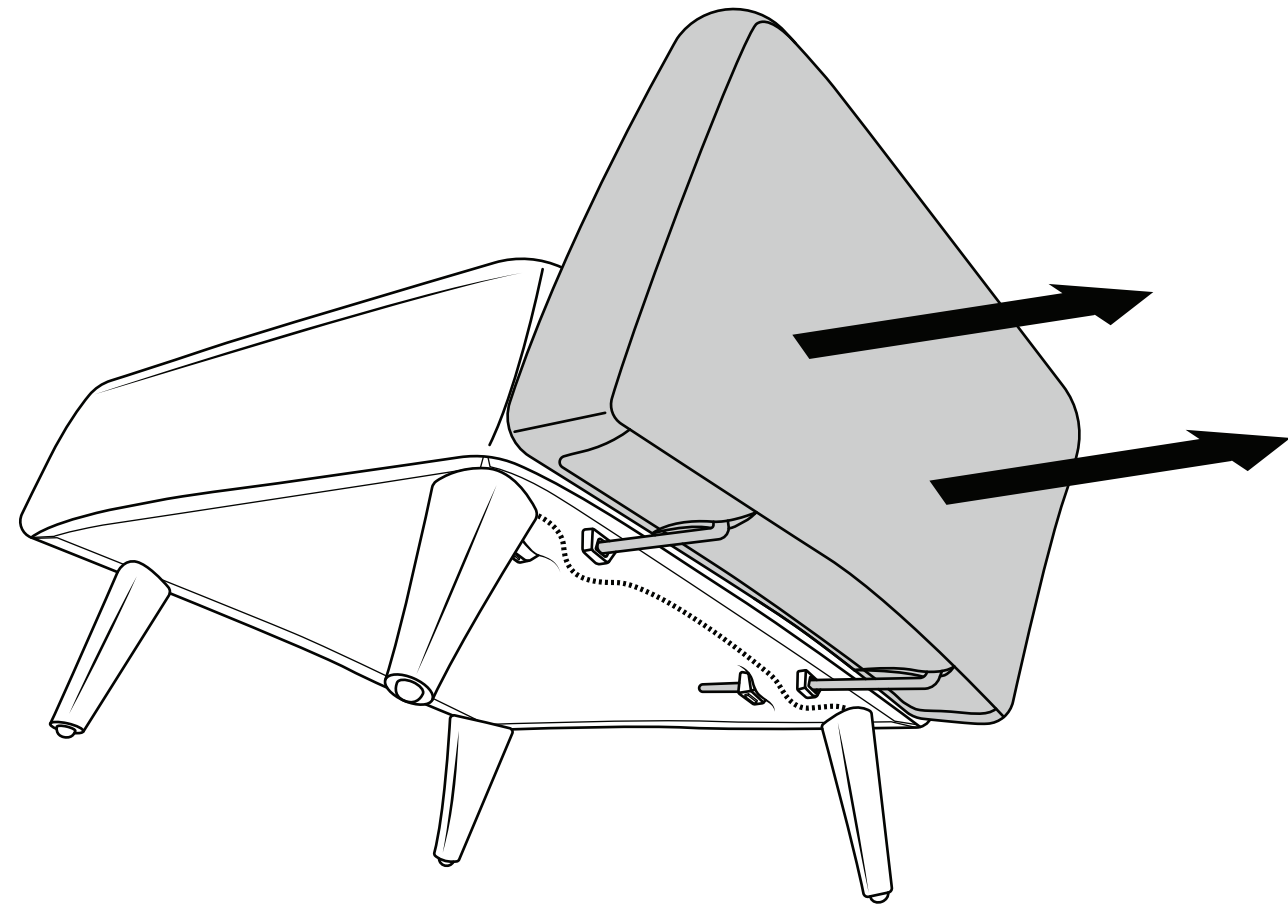
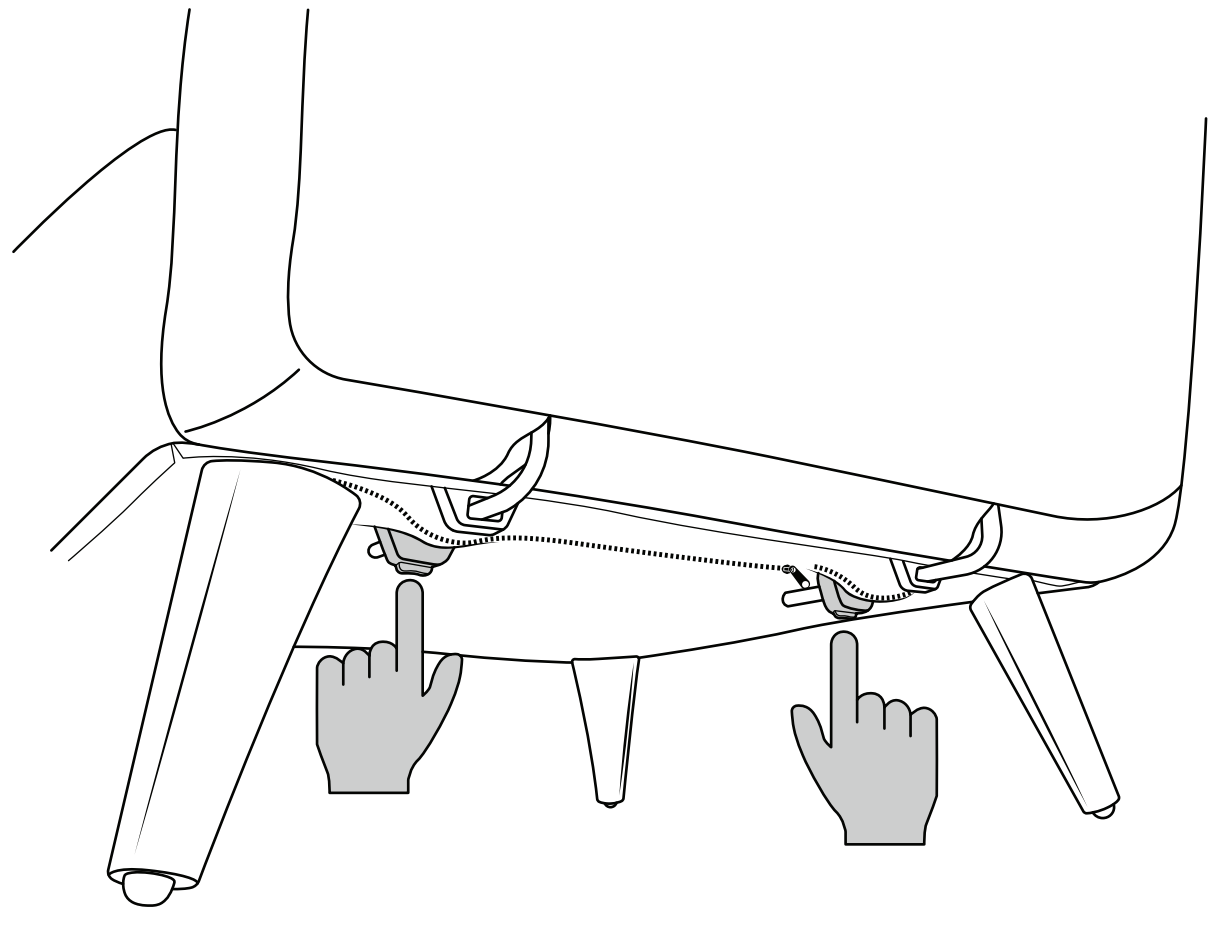
4

### Join seat C to seat D

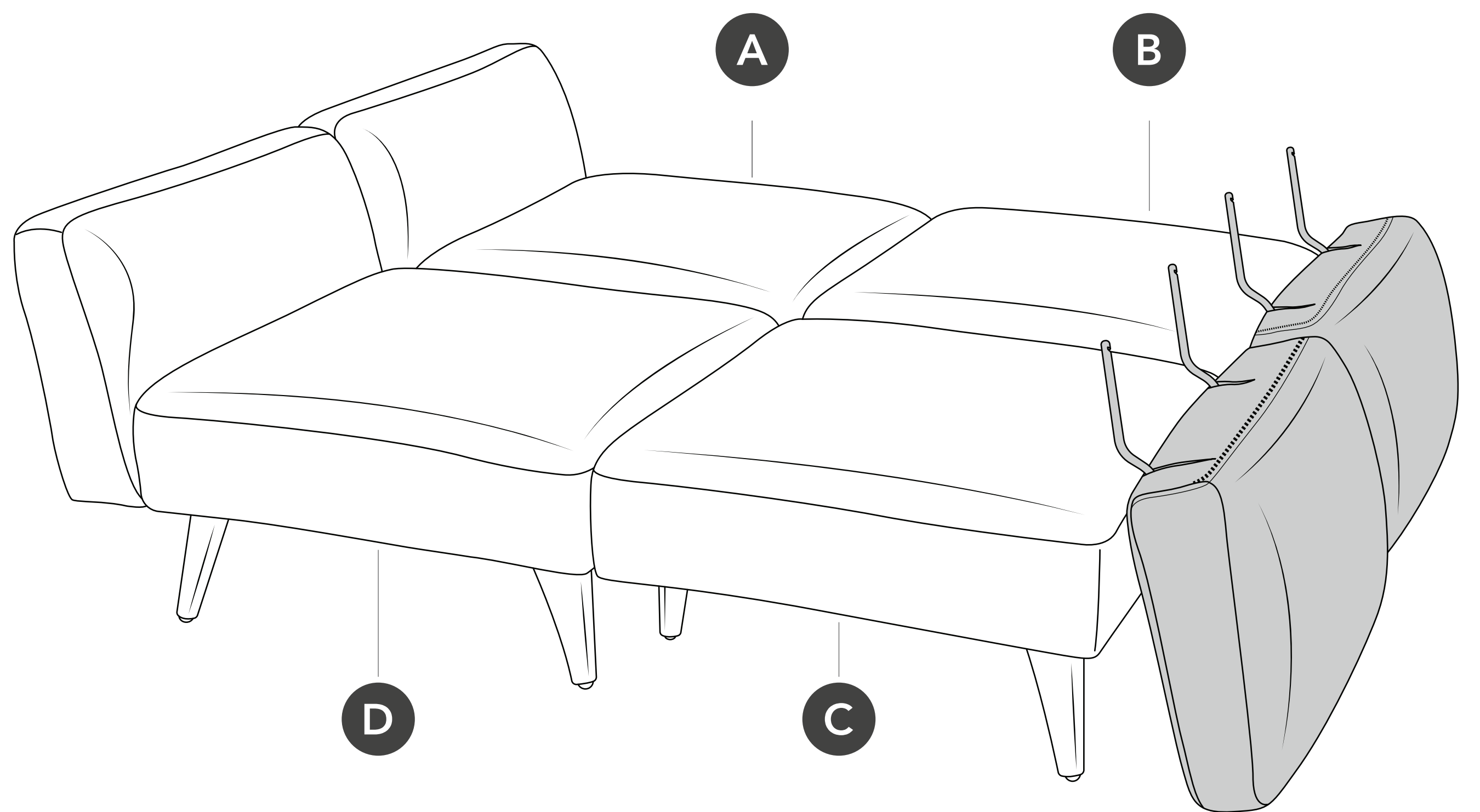
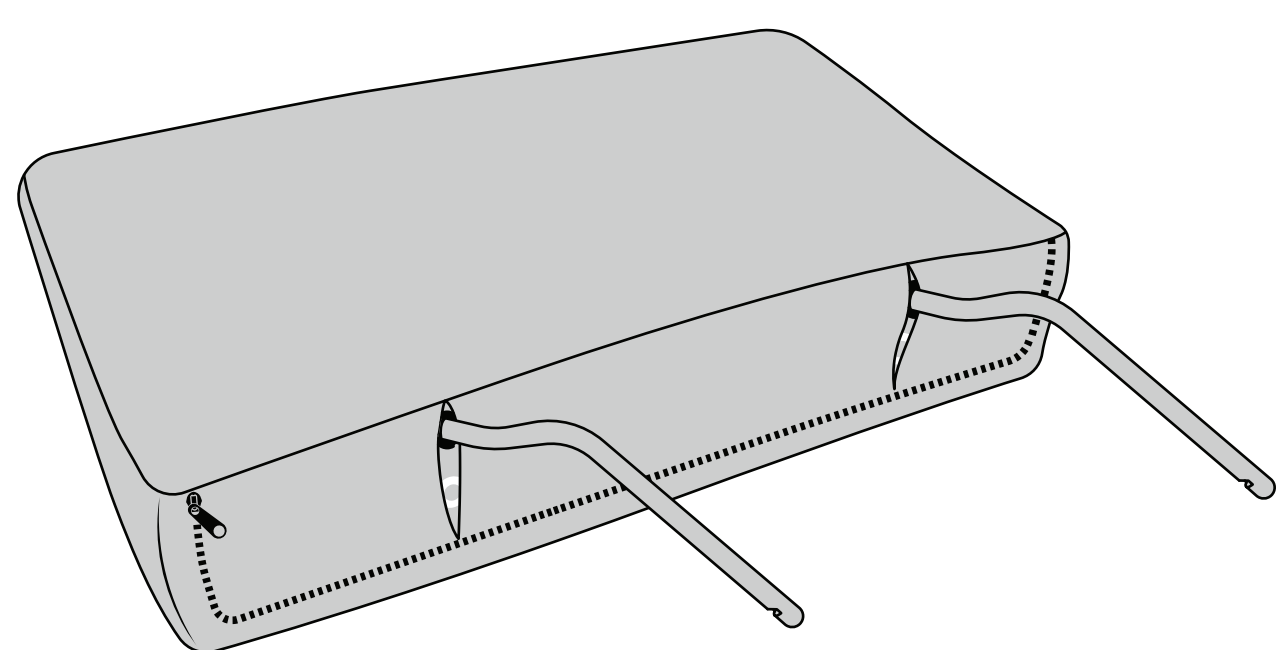
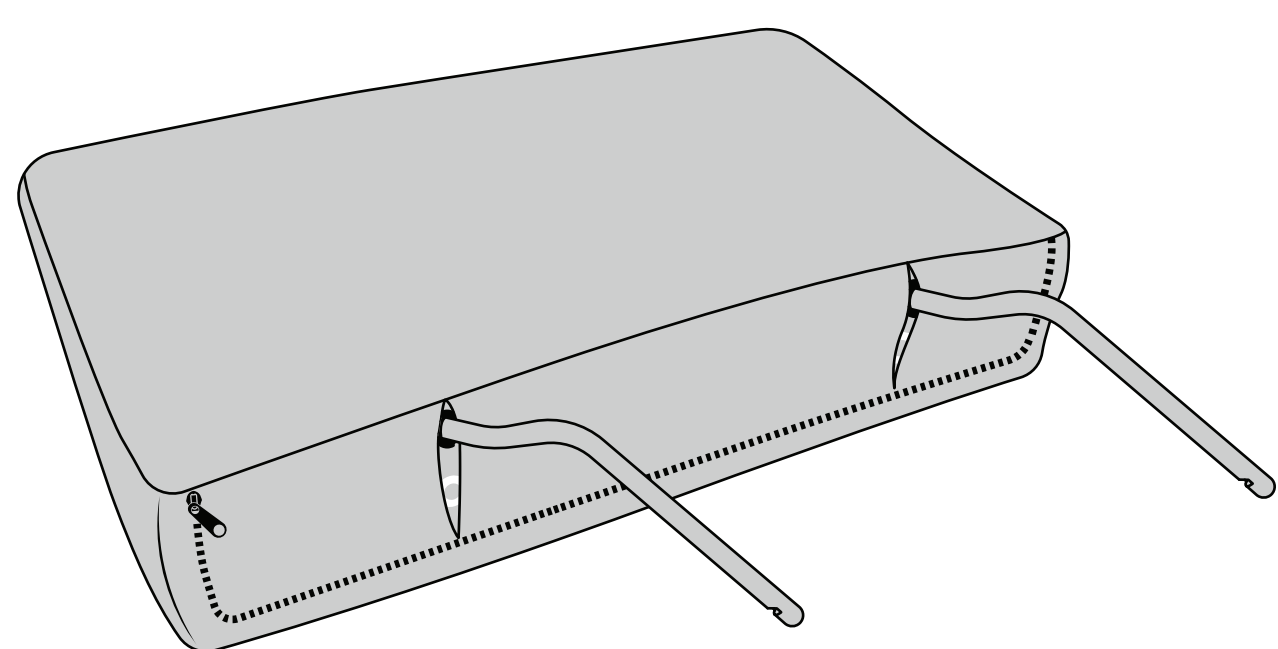
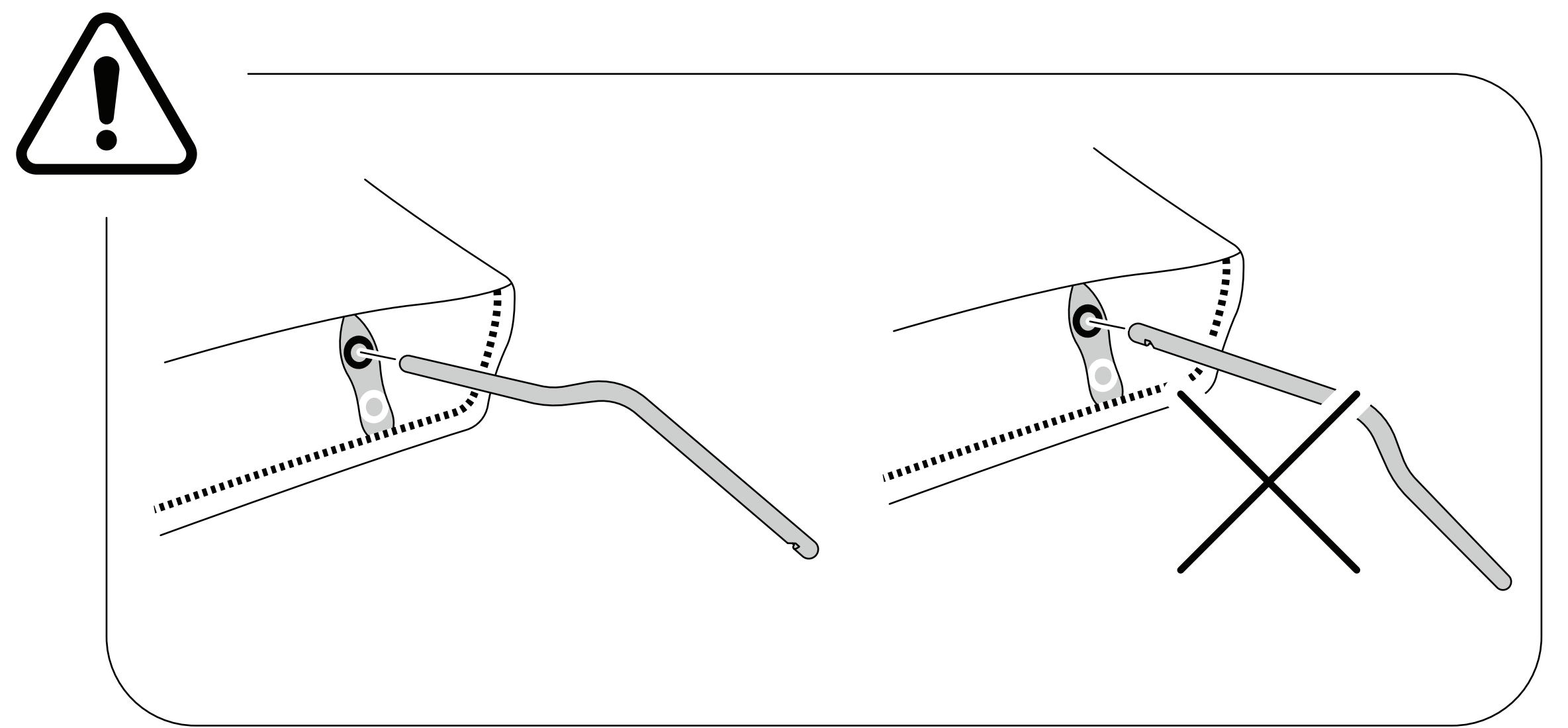
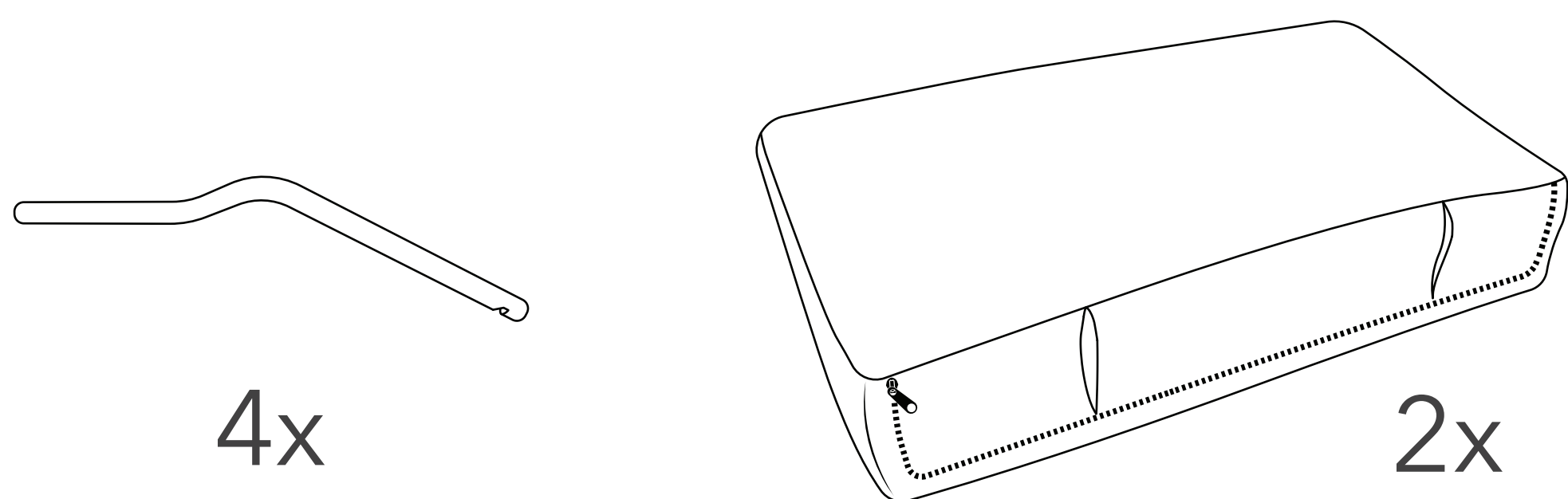
Insert joining brackets into seat D, then slide seat C onto joining brackets. Listen for the clicks.



**5** Remove cushion from seat C  
Press buttons and slide arm outwards



**6** Insert bed brackets into cushions  
Insert end without groove into black hole

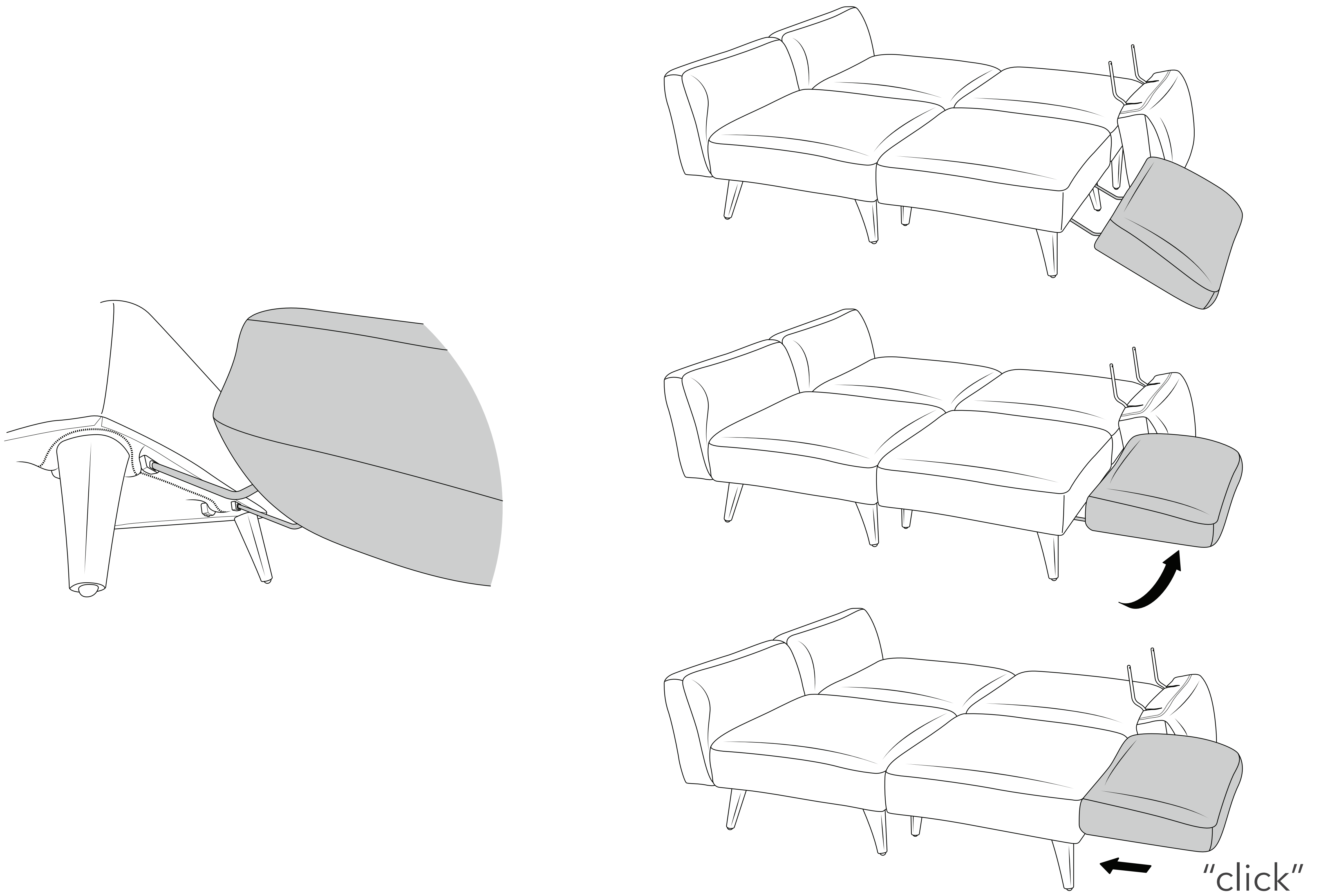




7

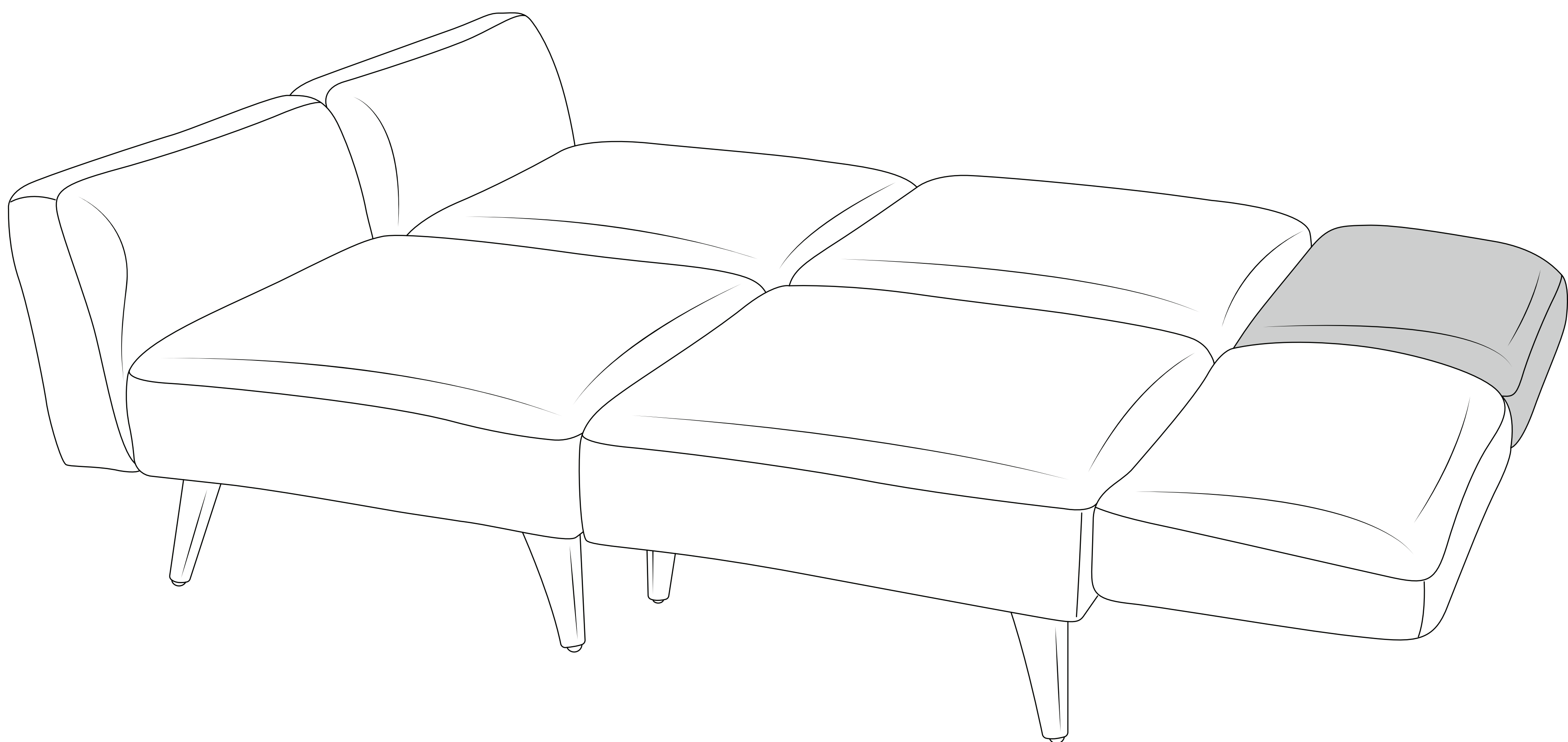
### Attach cushion in bed position

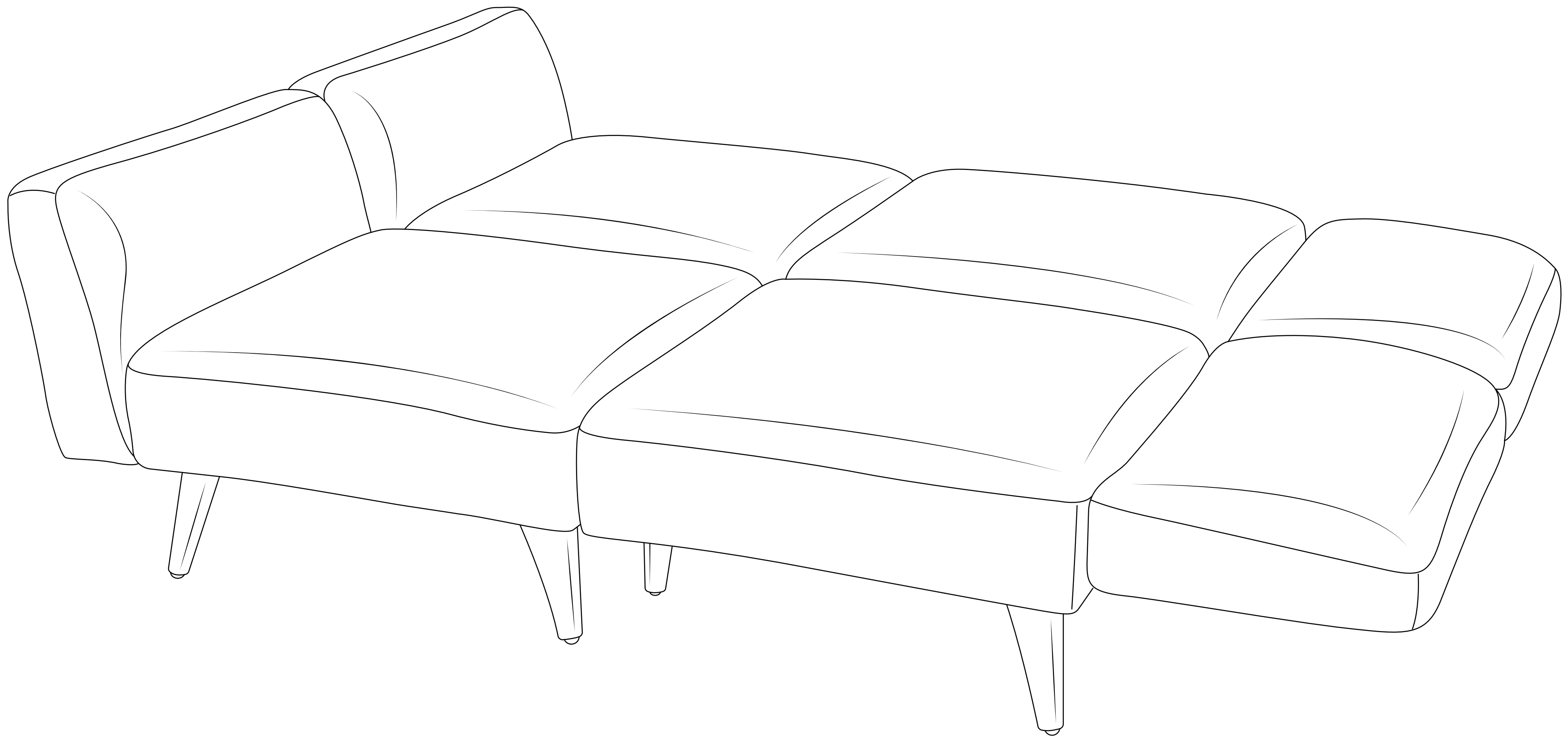
Insert tips of bed brackets into holes underneath the seat then swing cushion upwards and slide inwards. Listen for the clicks.



8

### Repeat for second cushion





We're here to help

For help and support contact us live on chat or email us at [support@wattleliving.com](mailto:support@wattleliving.com)