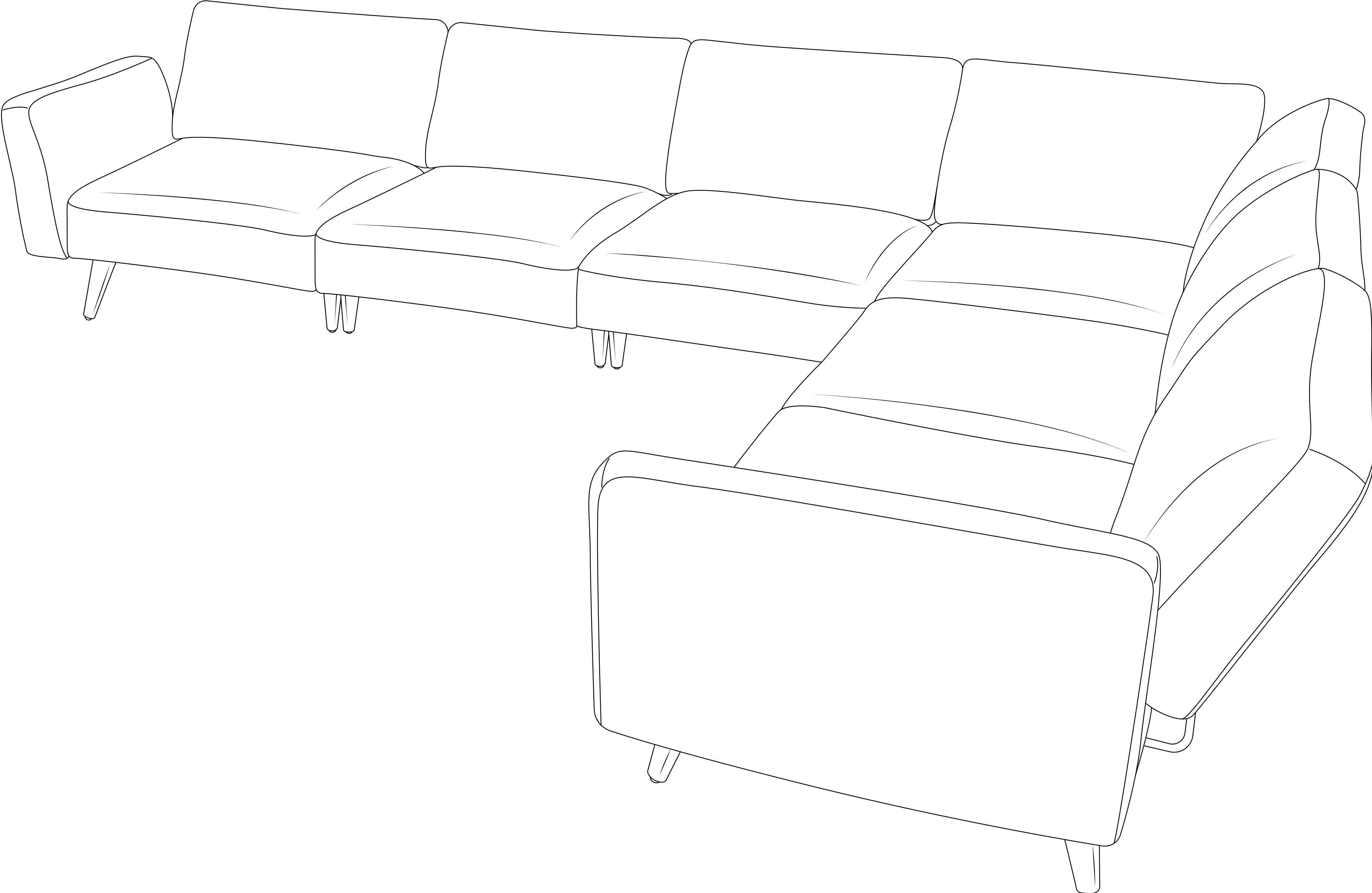
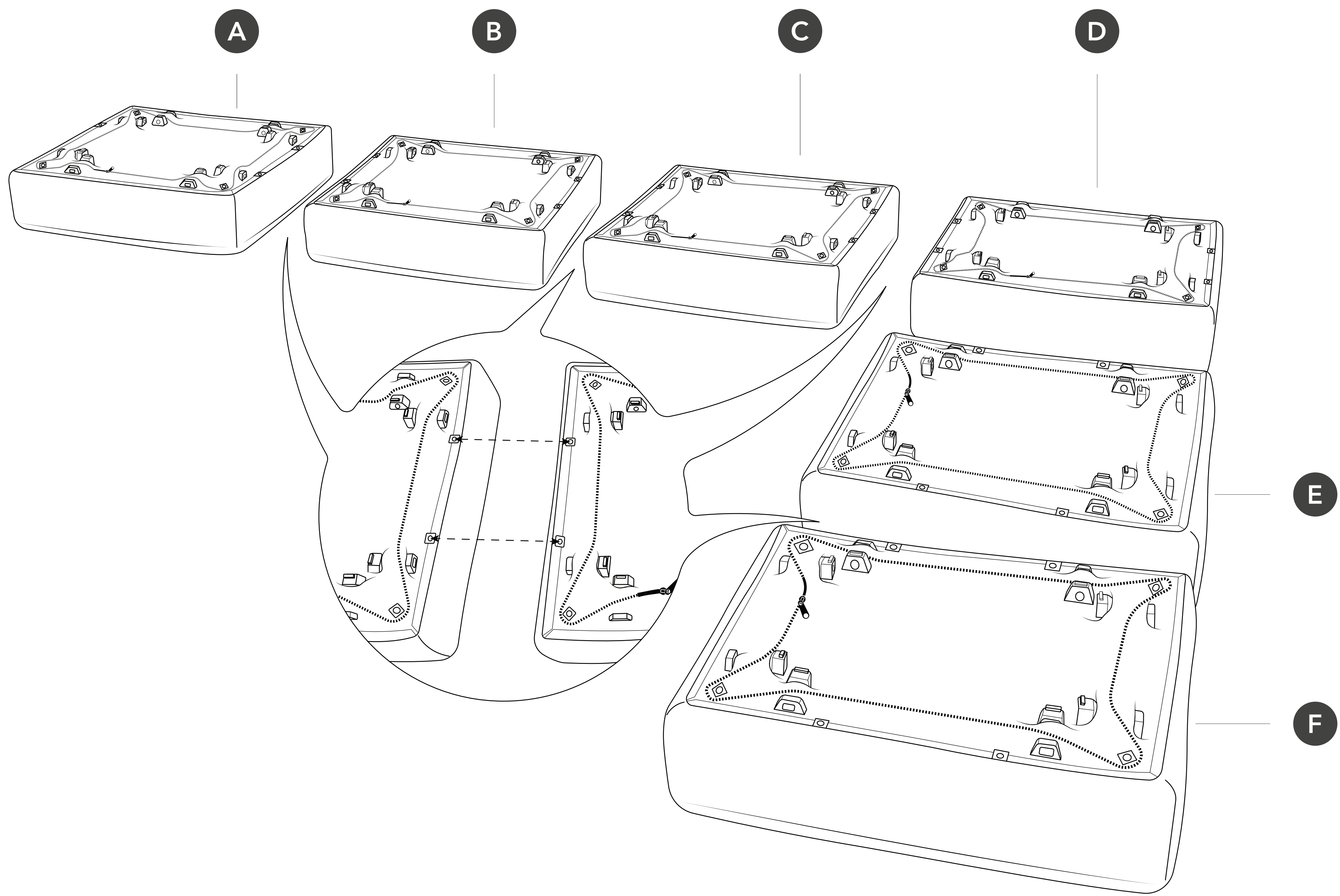


Let's set up your 6 seat sofa + arm/back

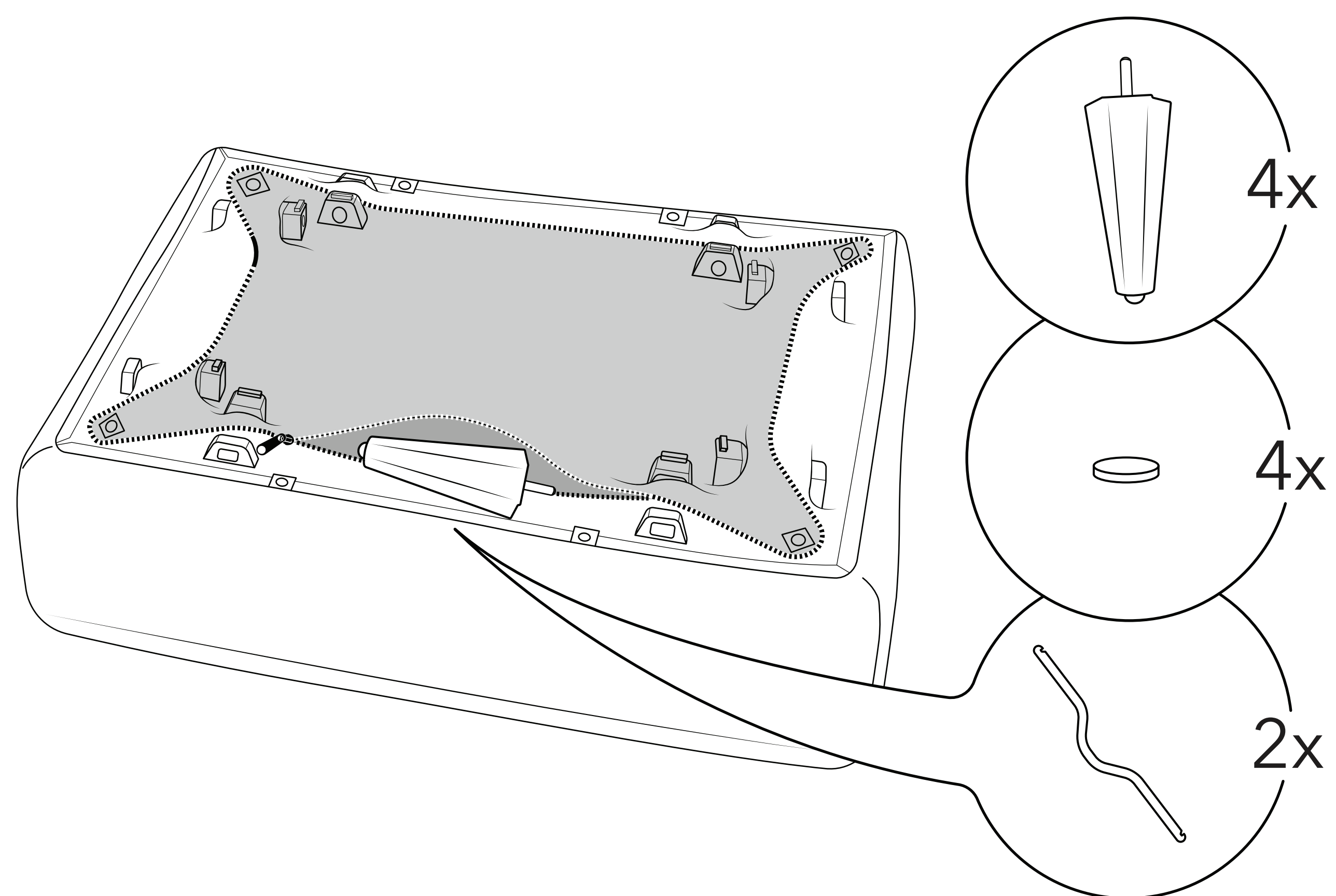


1 Unbox seats and align the holes



2 Remove legs and brackets

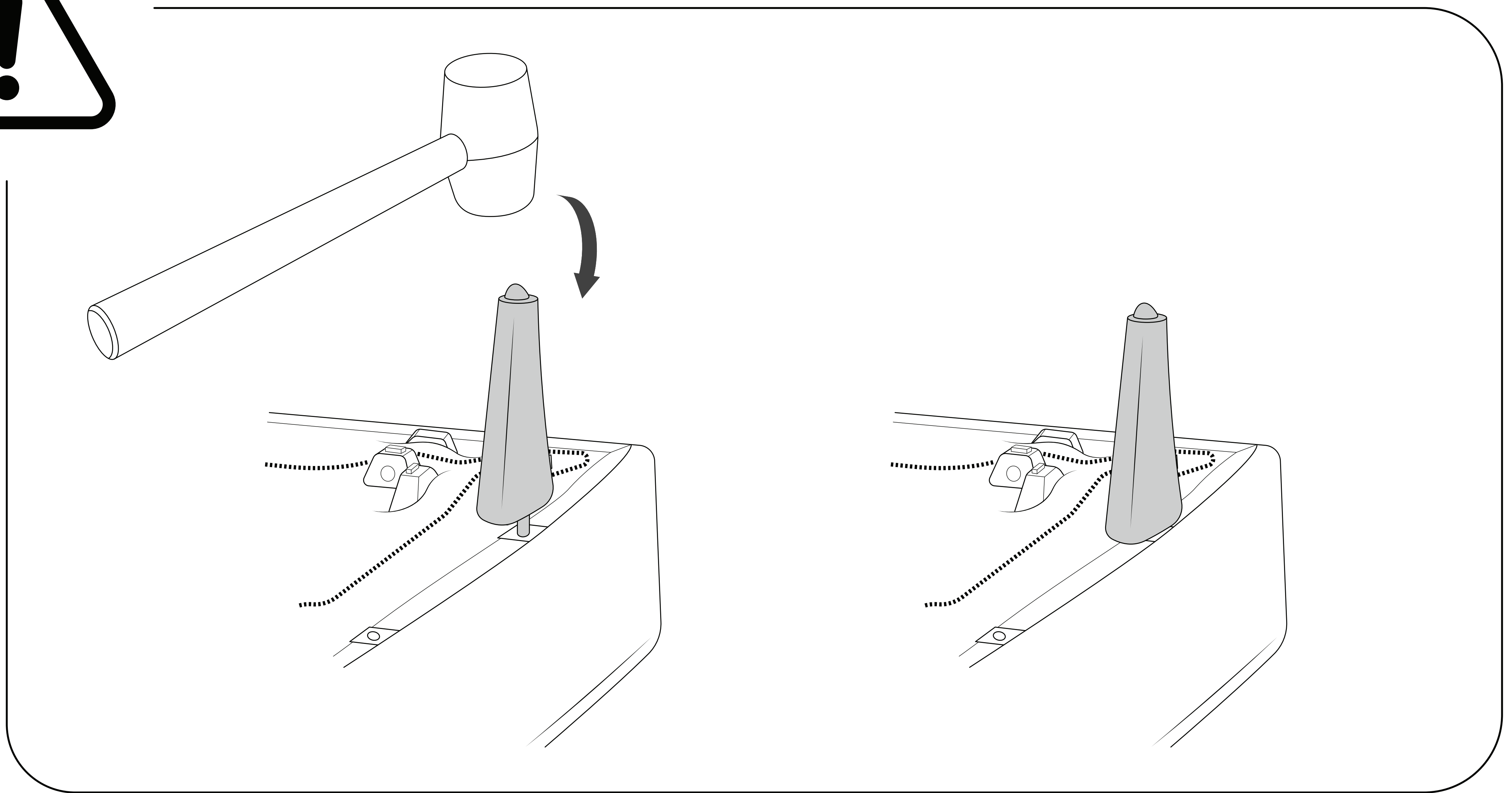
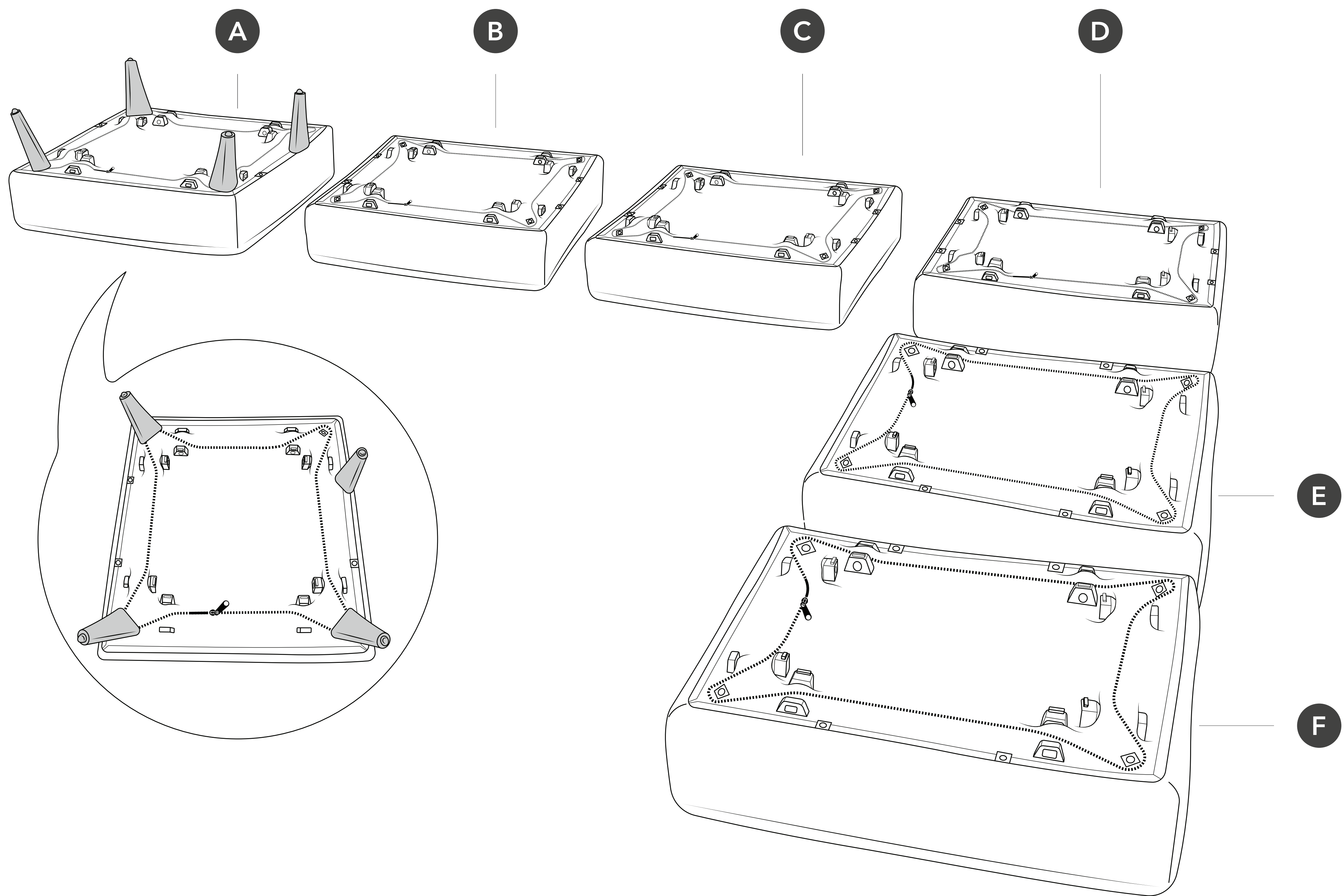
Unzip pocket underneath the seat and remove the legs, felt pads and brackets



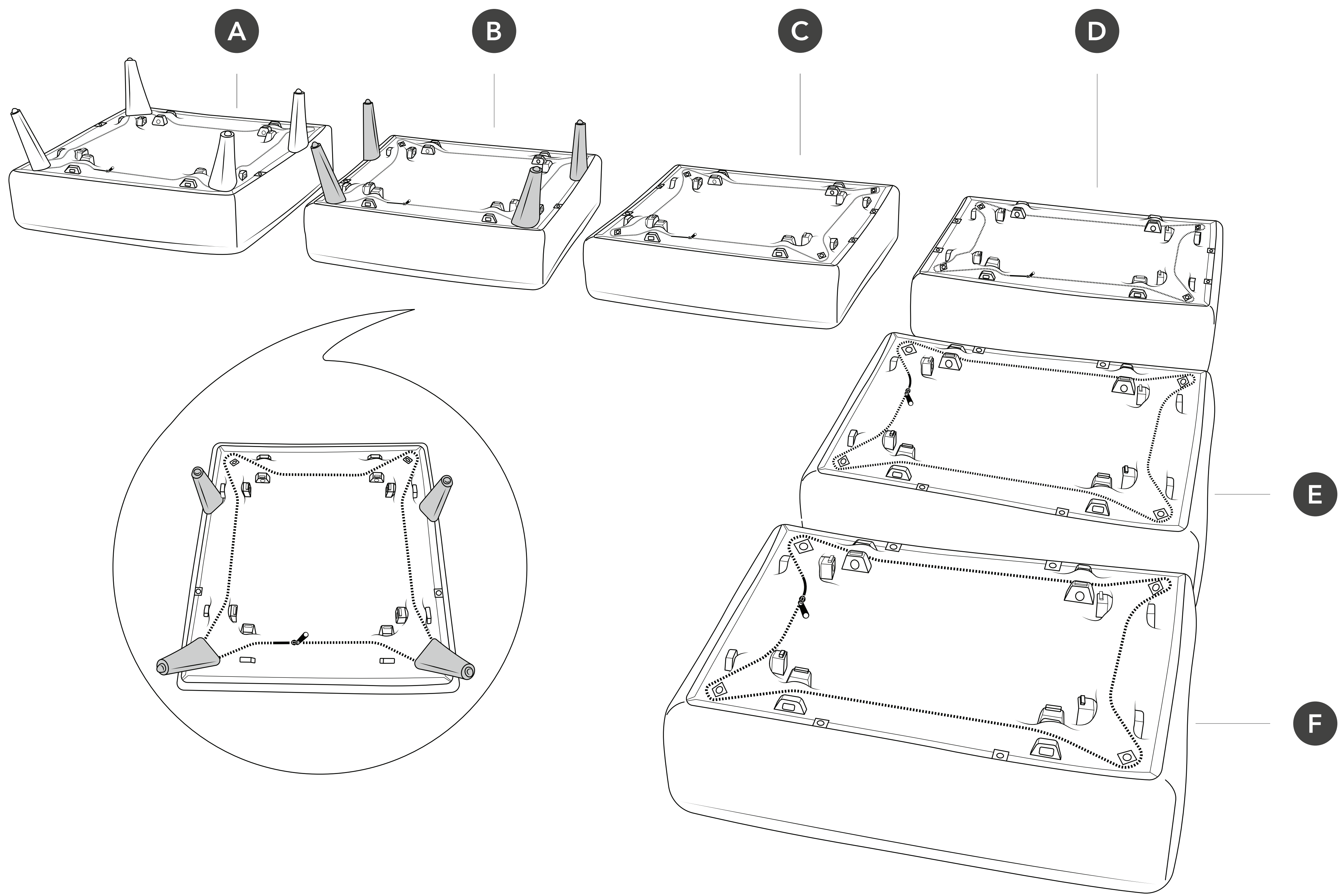
3

Insert legs into seat A

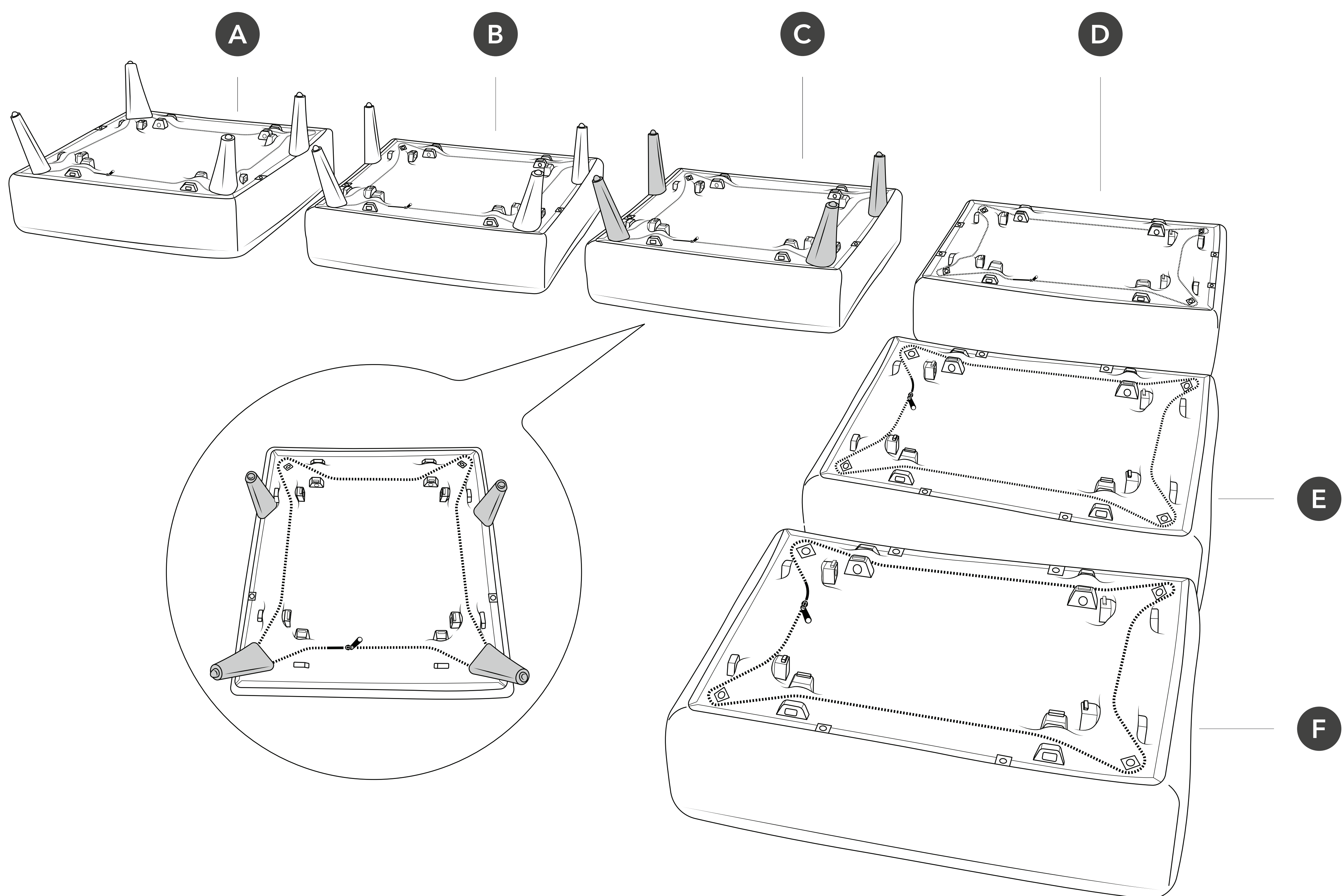
If you're unable to fully insert the legs with your hands, tap with a mallet.



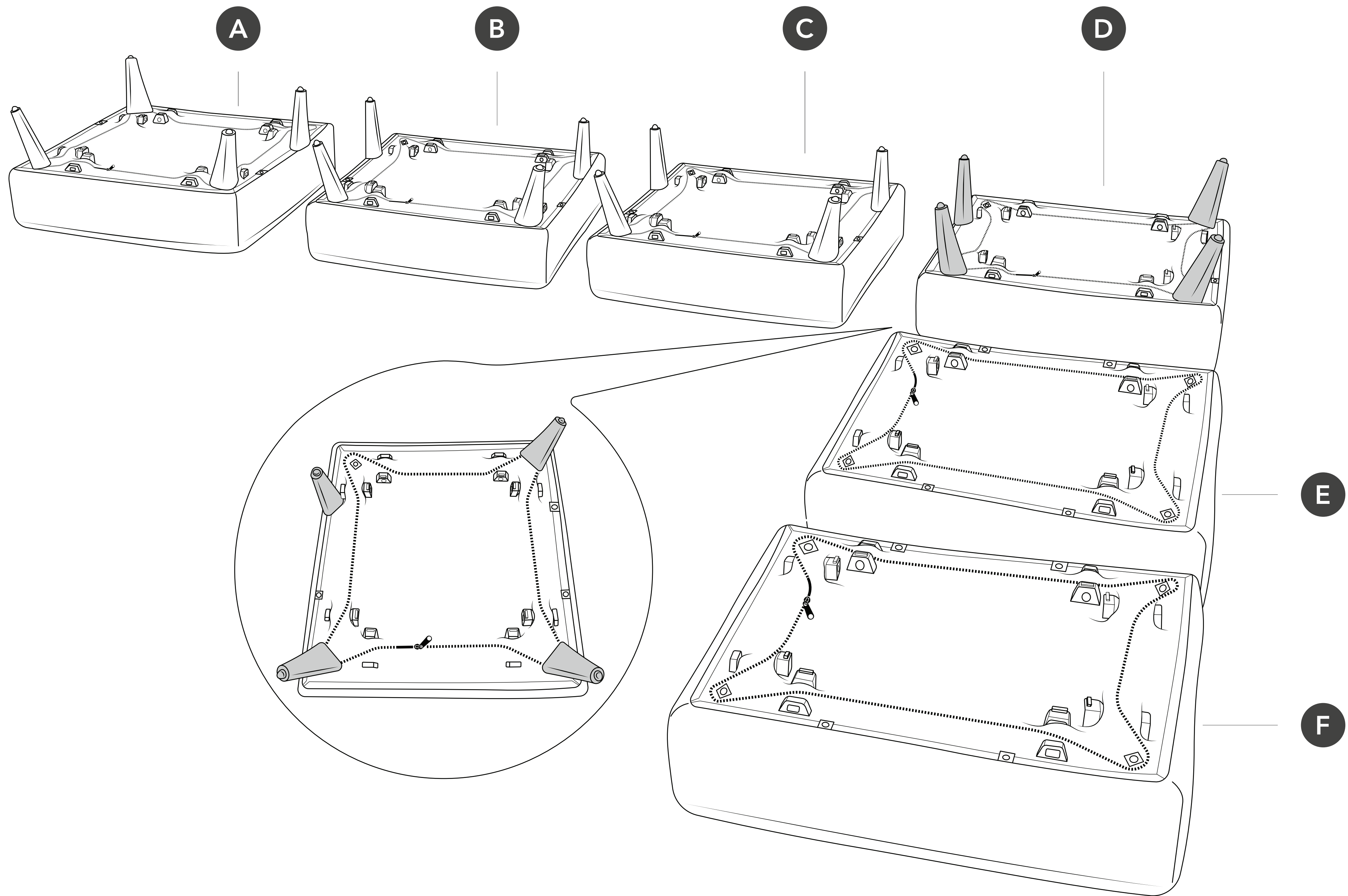
4 Insert legs into seat B



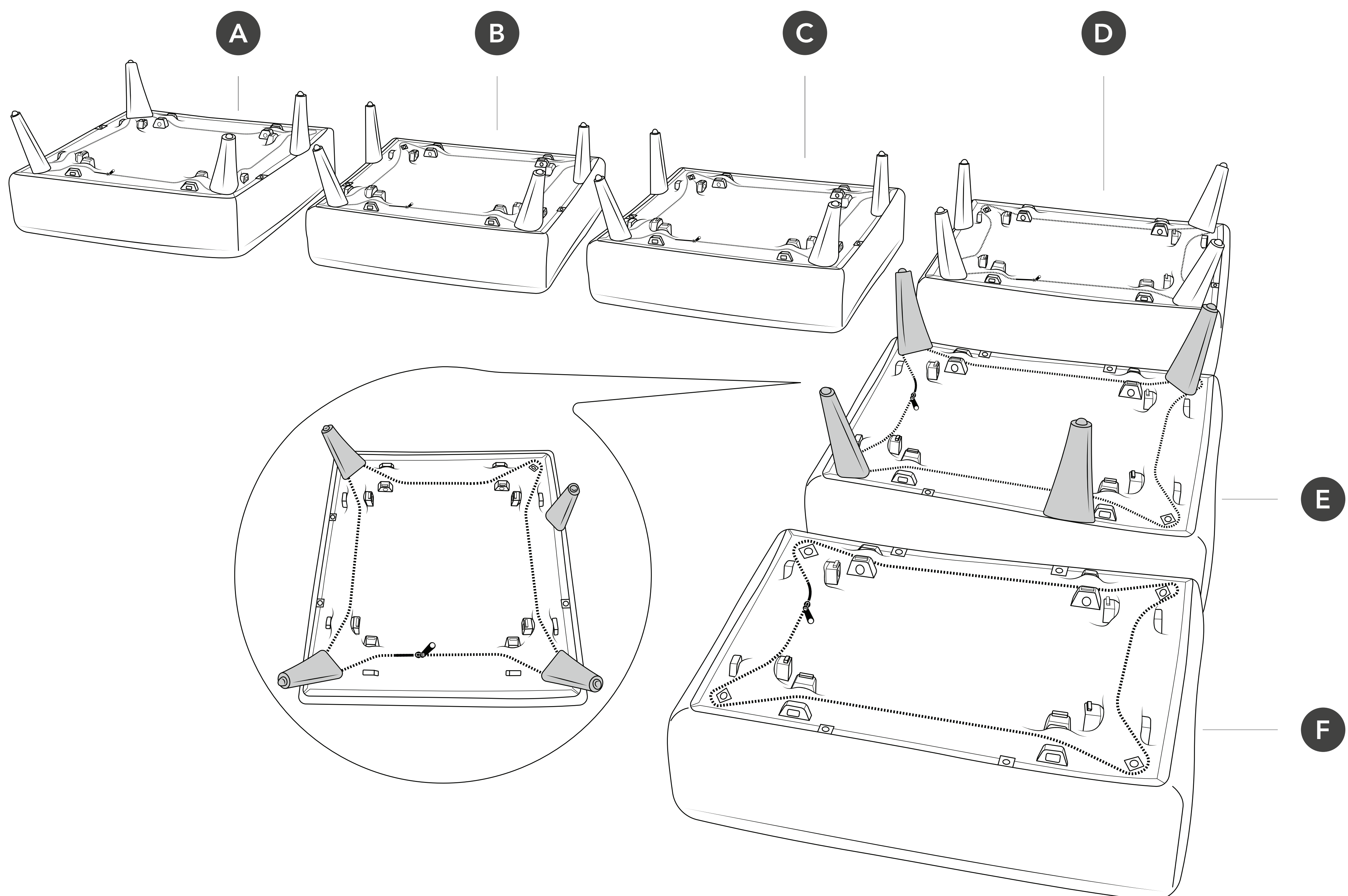
5 Insert legs into seat C



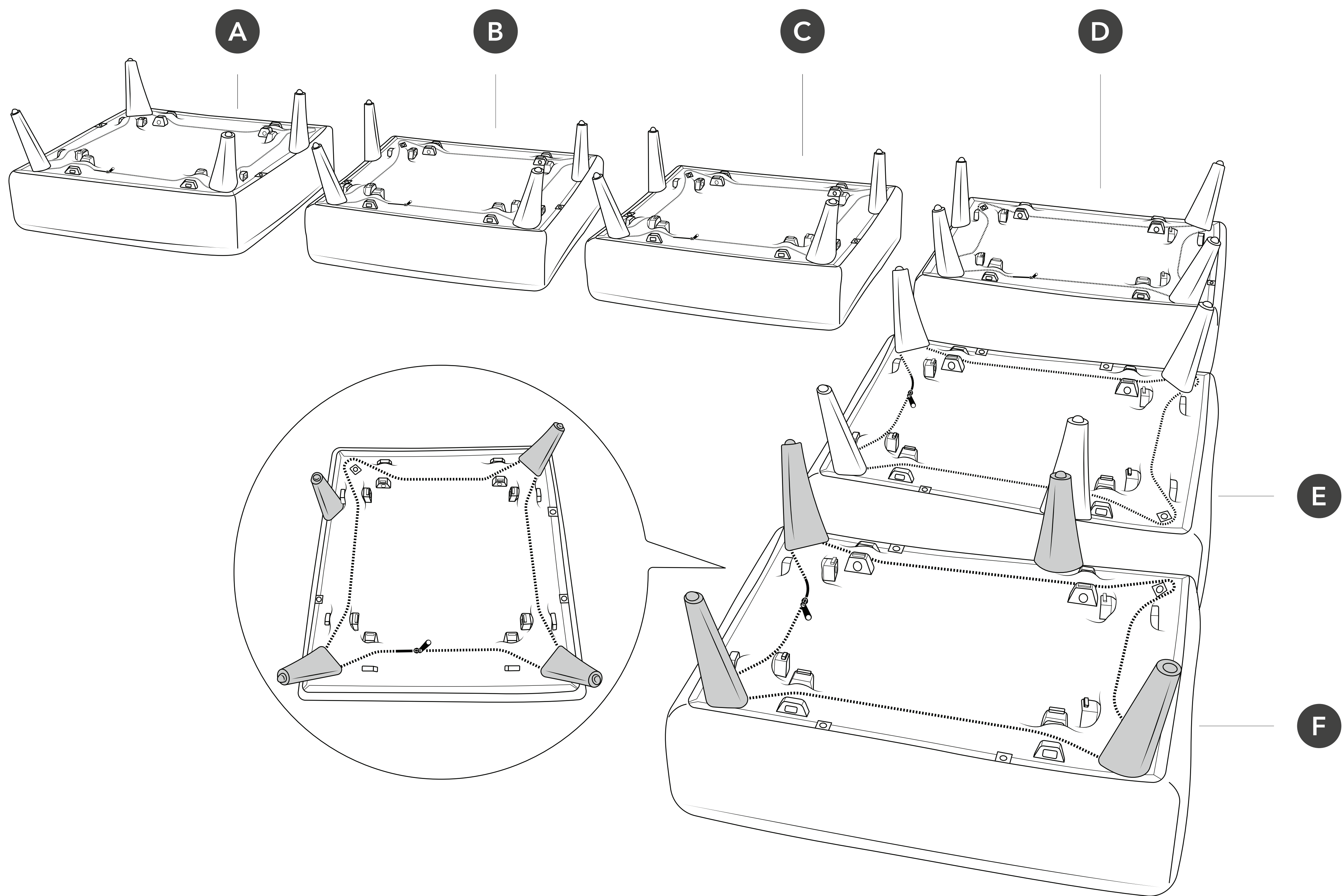
6 Insert legs into seat D



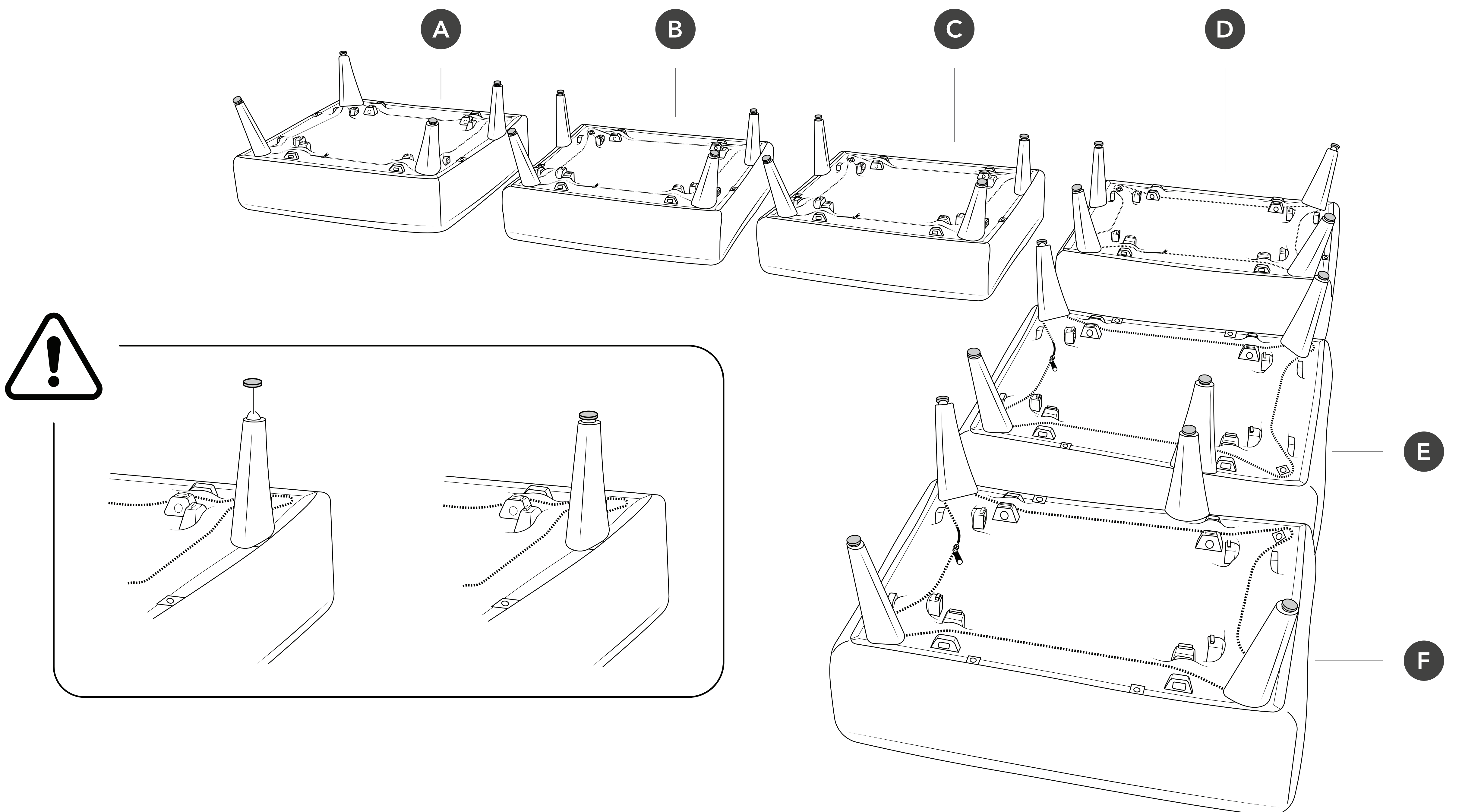
7 Insert legs into seat E



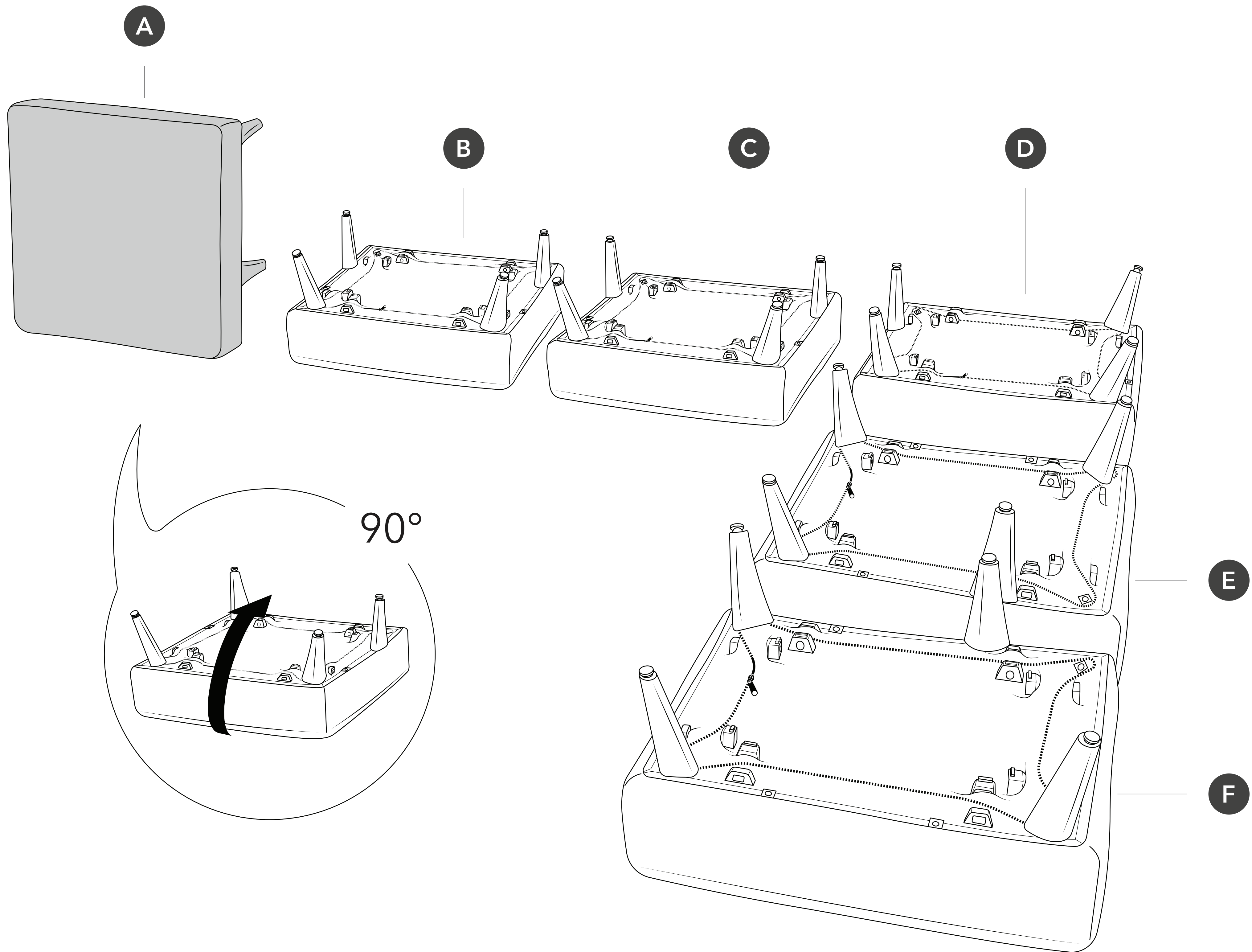
8 Insert legs into seat F



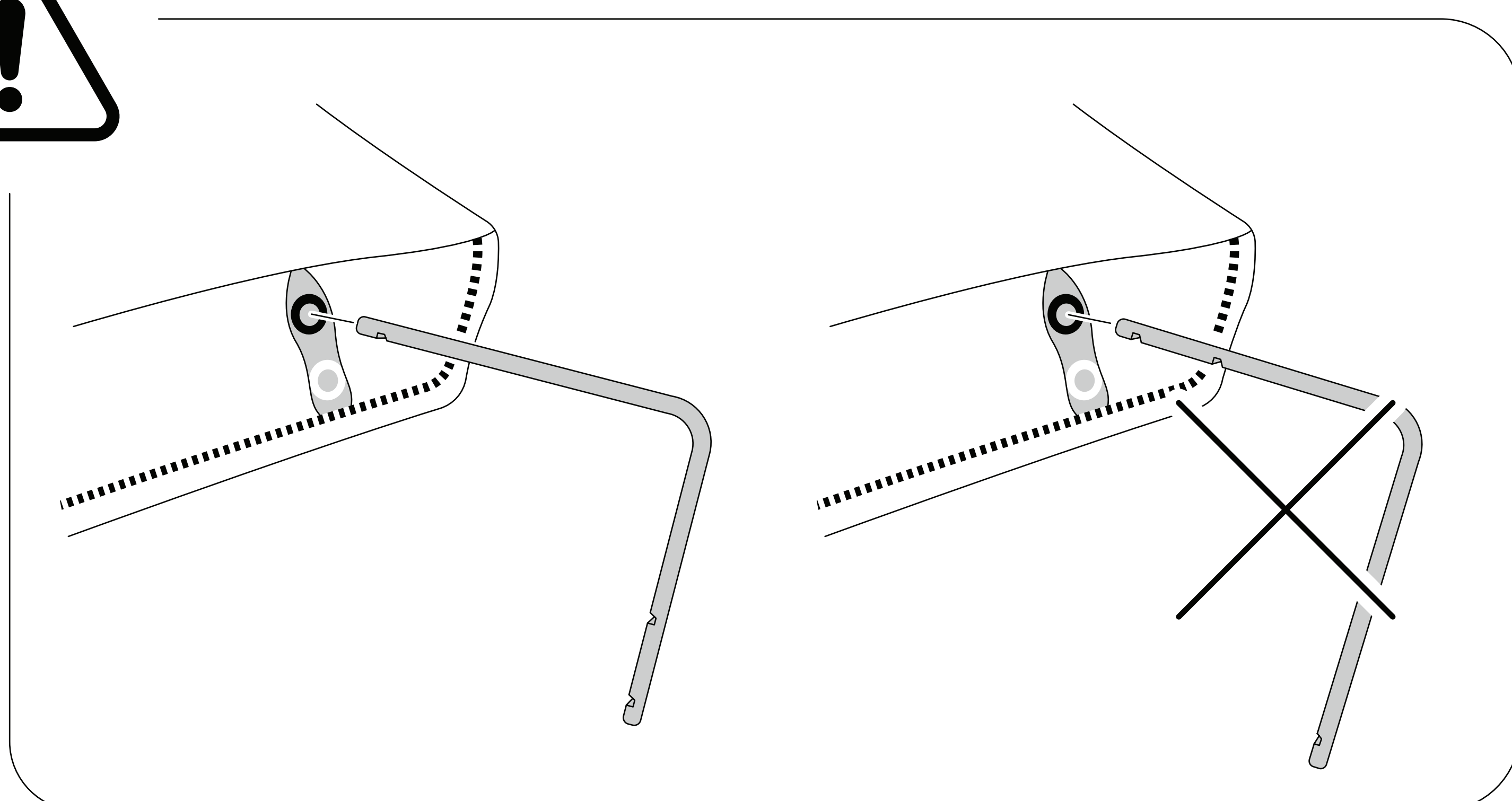
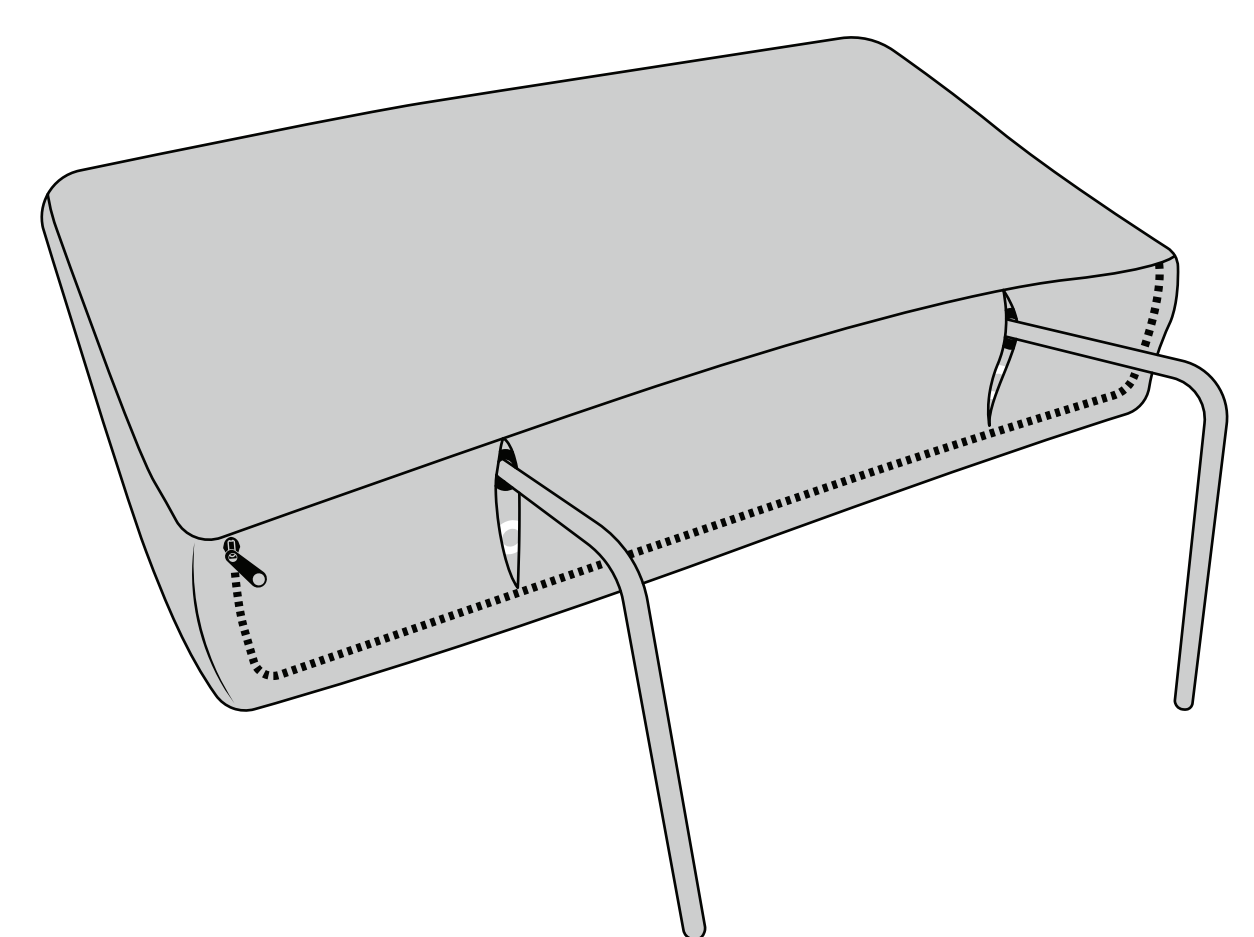
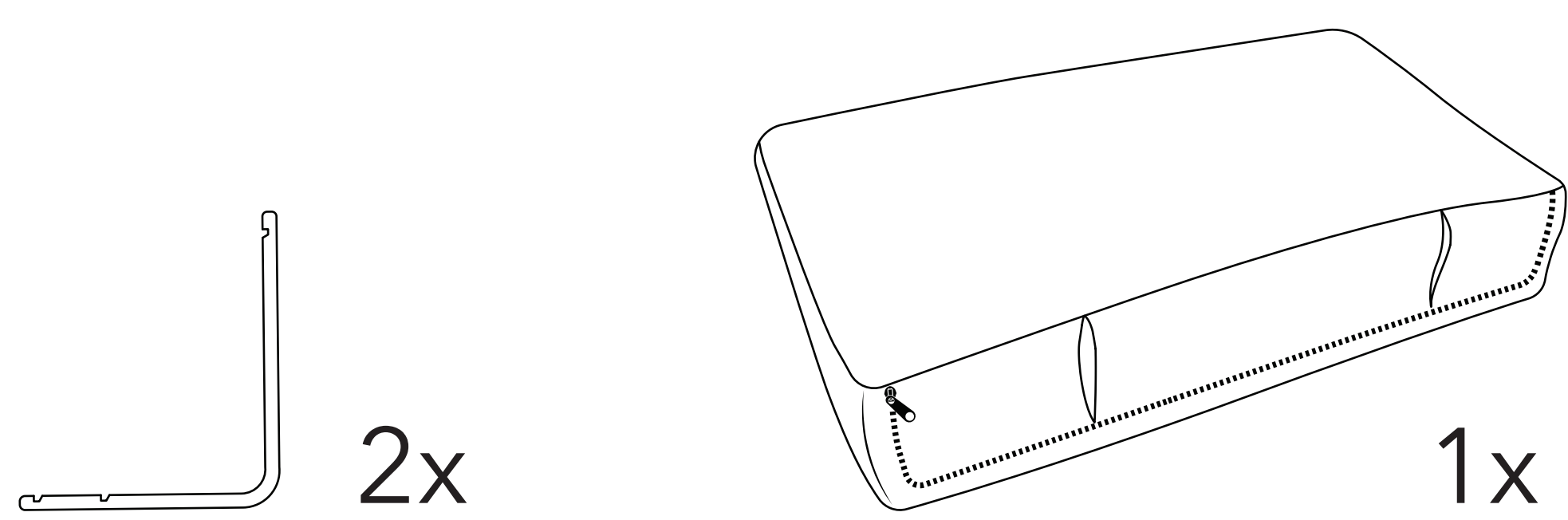
9 Attach felt pads to the legs



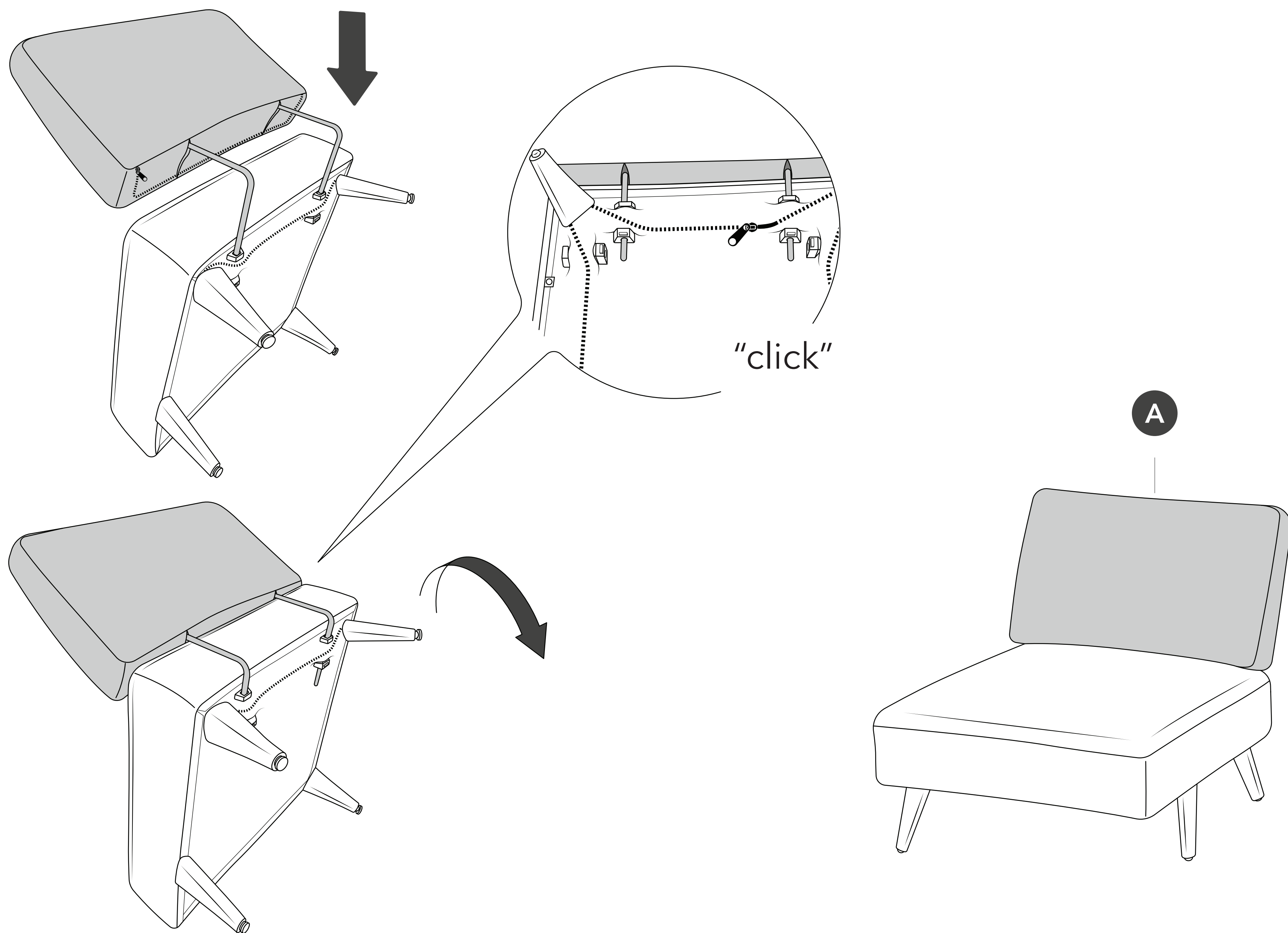
10 Rotate seat A 90°



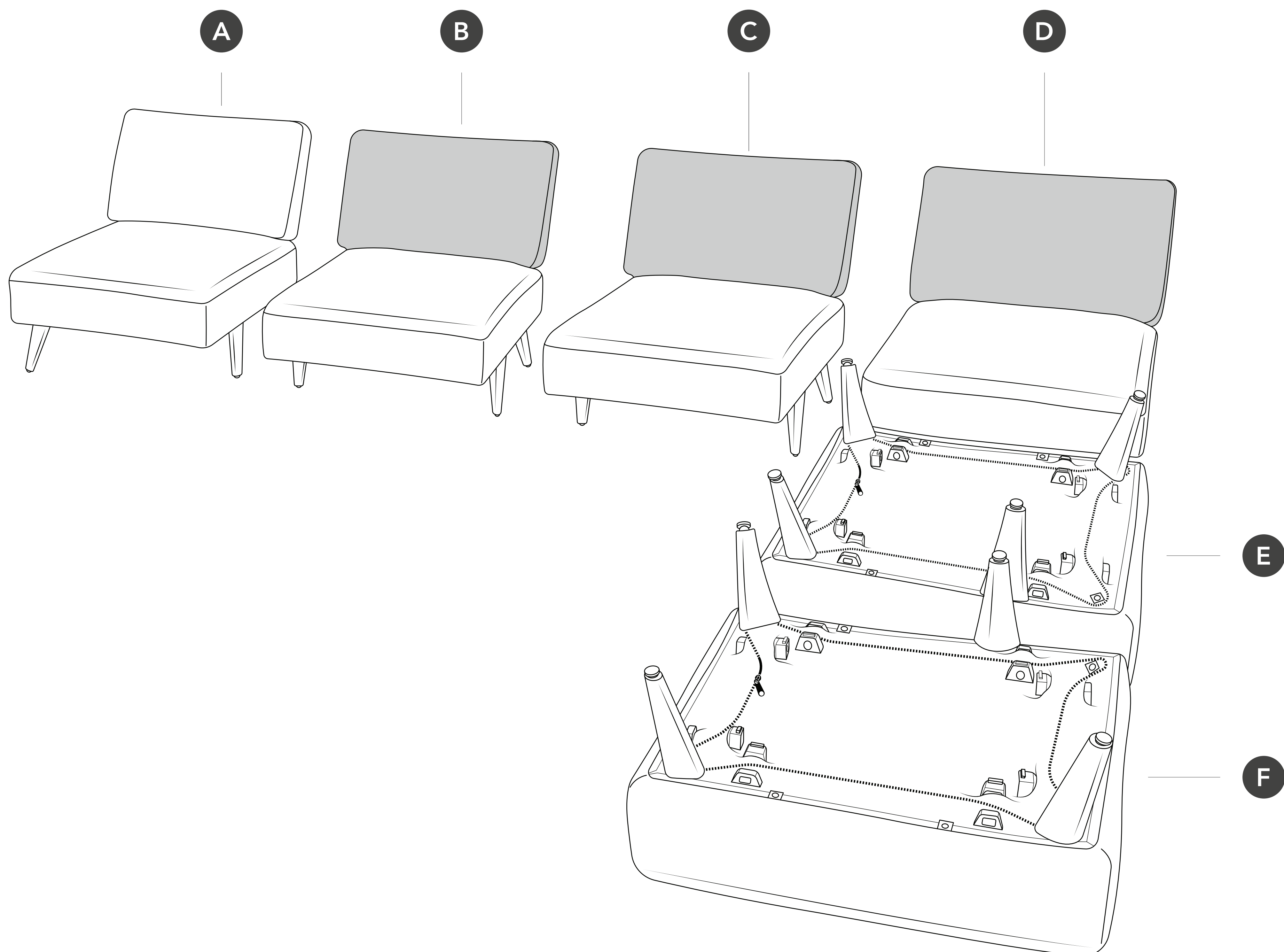
11 Insert L brackets into cushion
Insert end with one groove into black hole



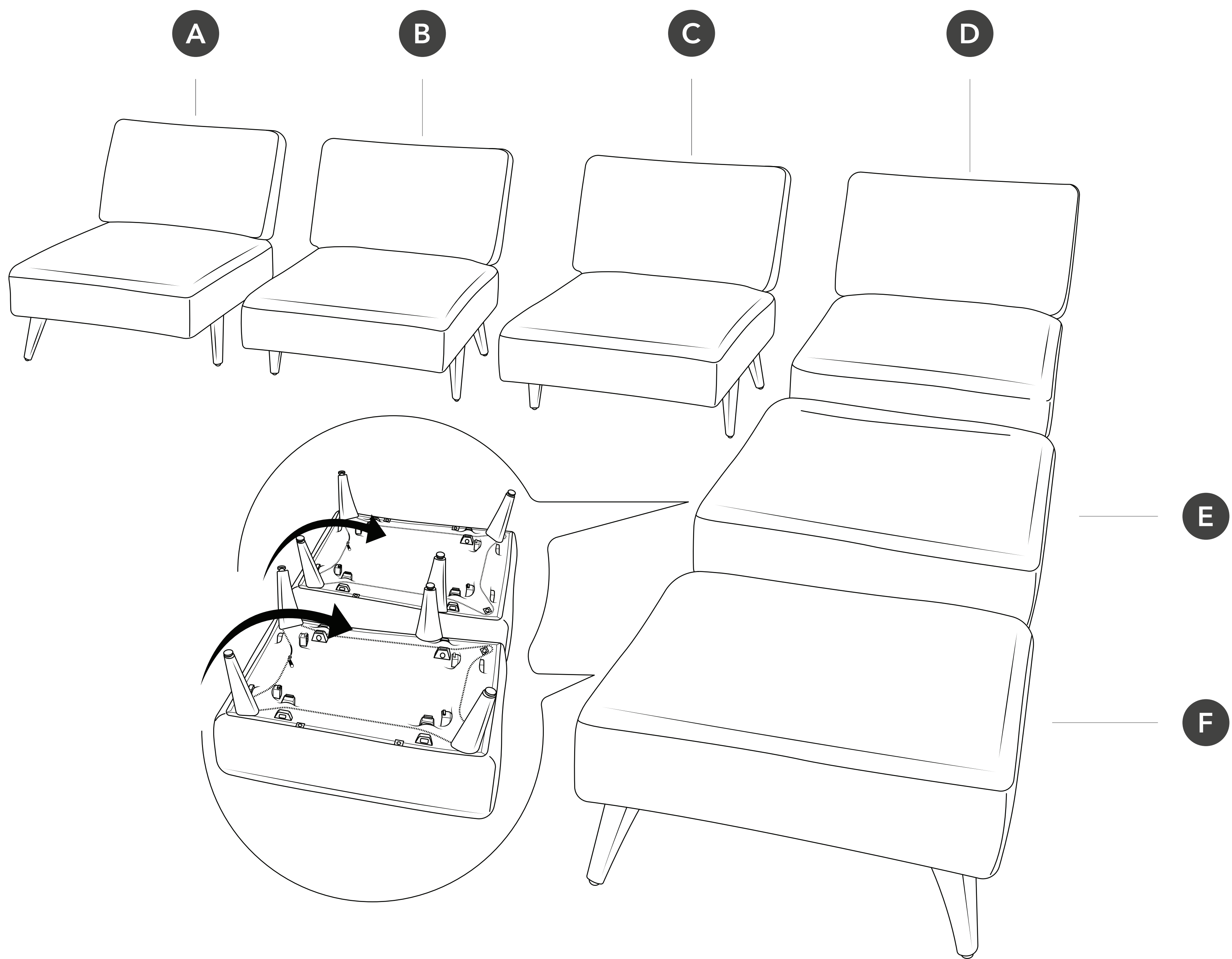
12 Attach cushion to seat A
Insert brackets into seat. Listen for the clicks.



13 Repeat for cushions B, C and D

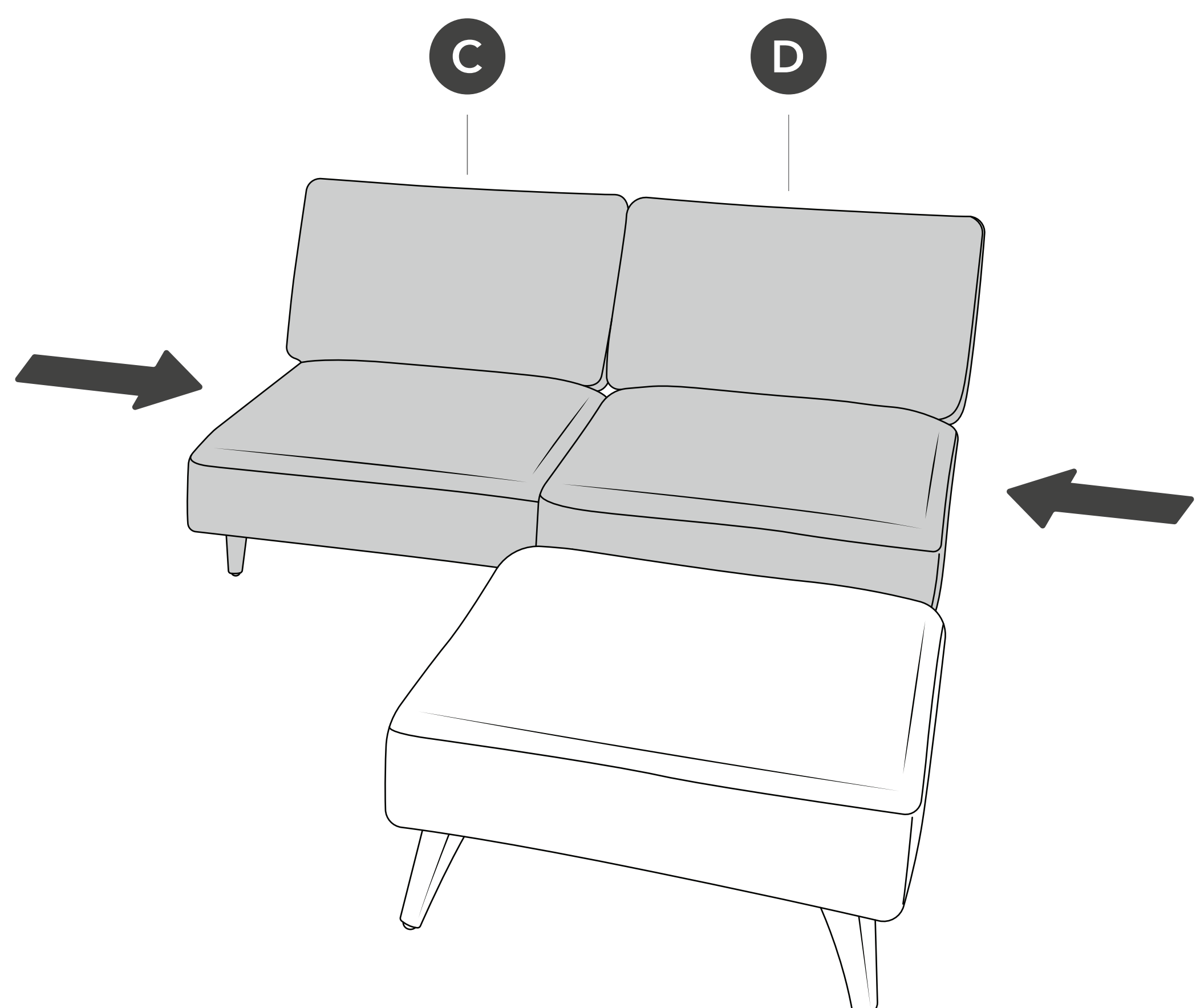
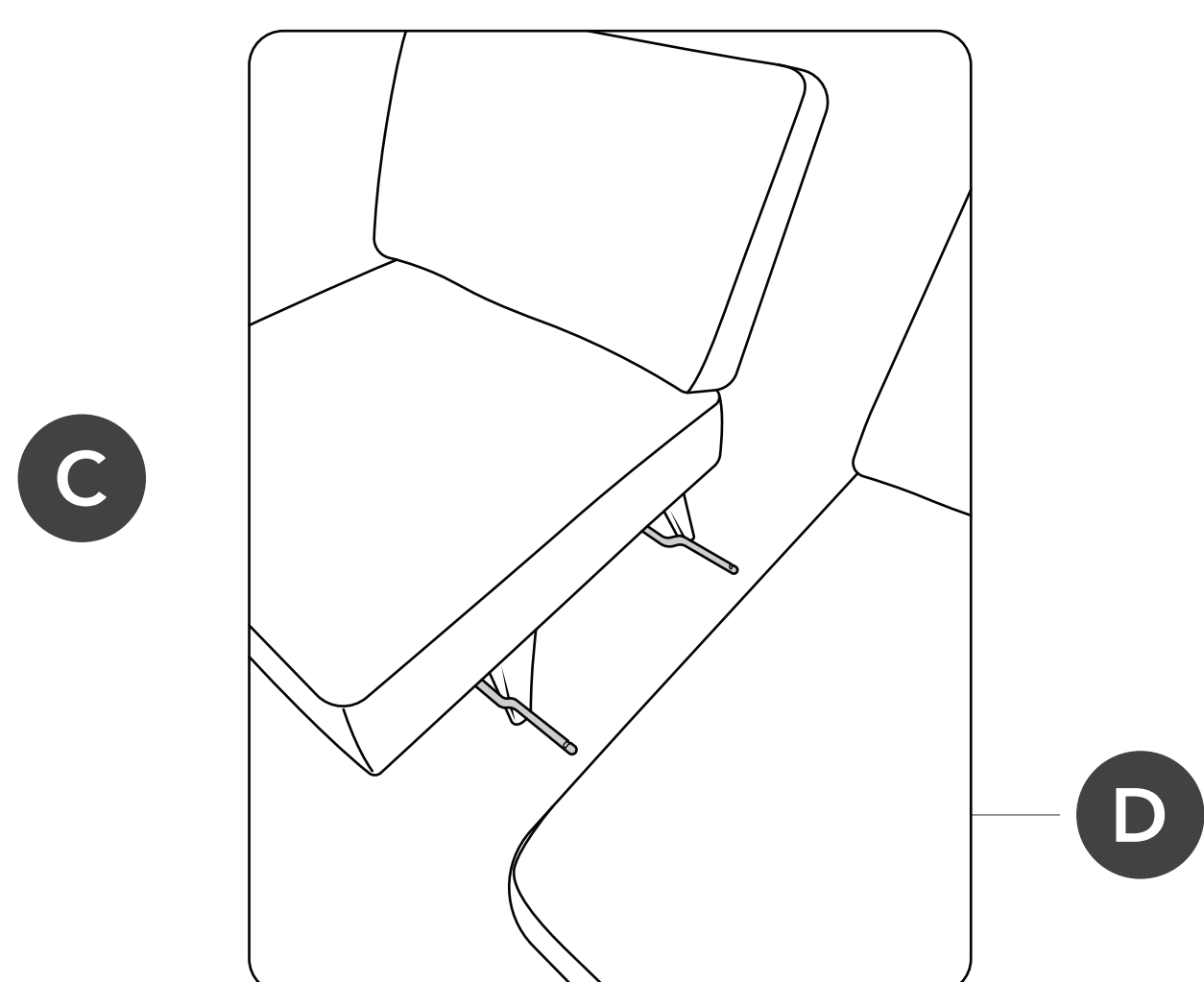
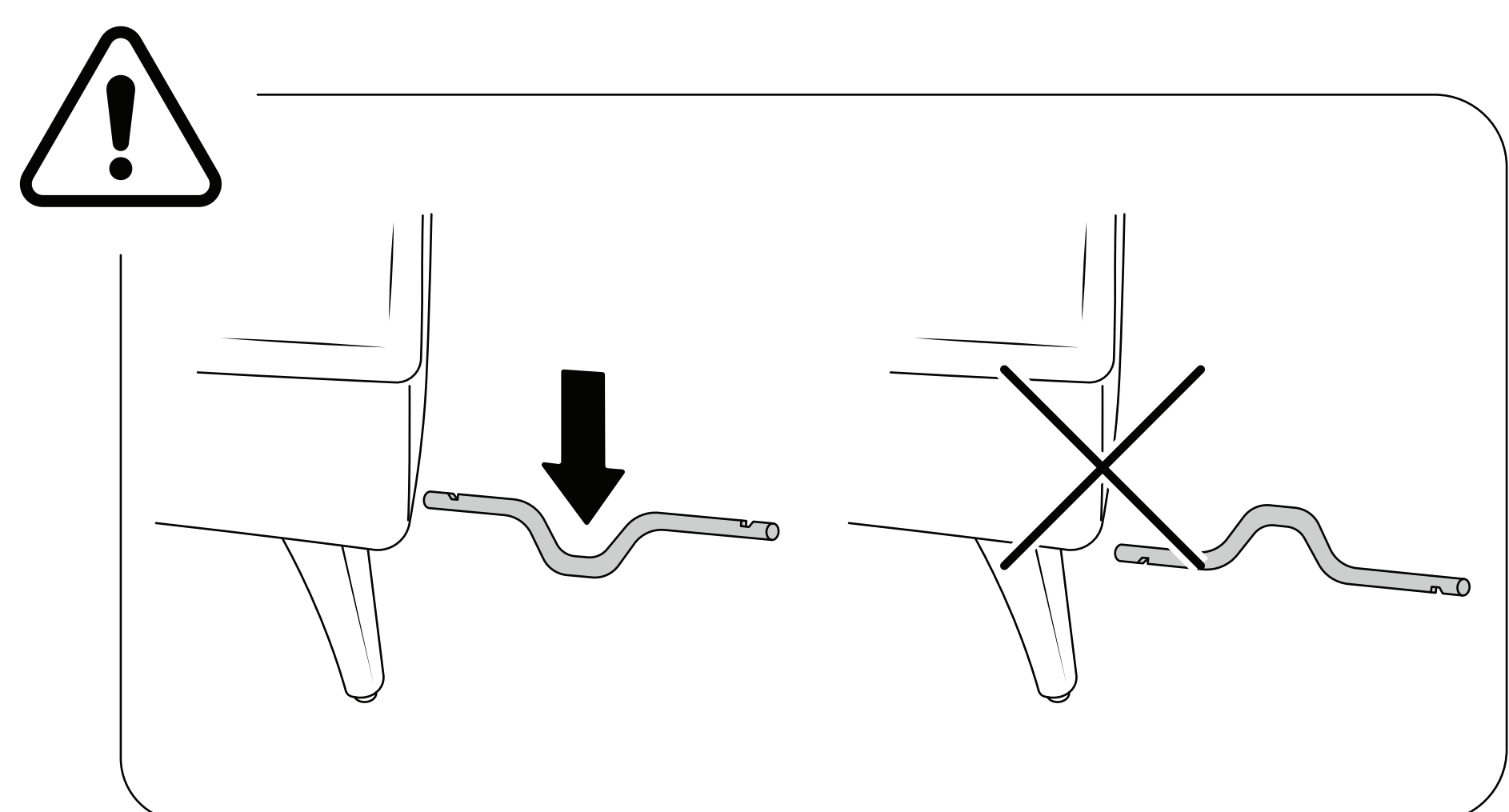
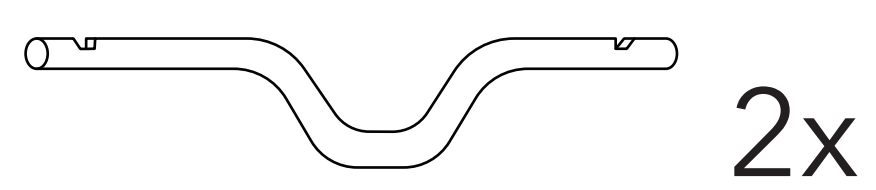


14 Rotate seats E and F 180°

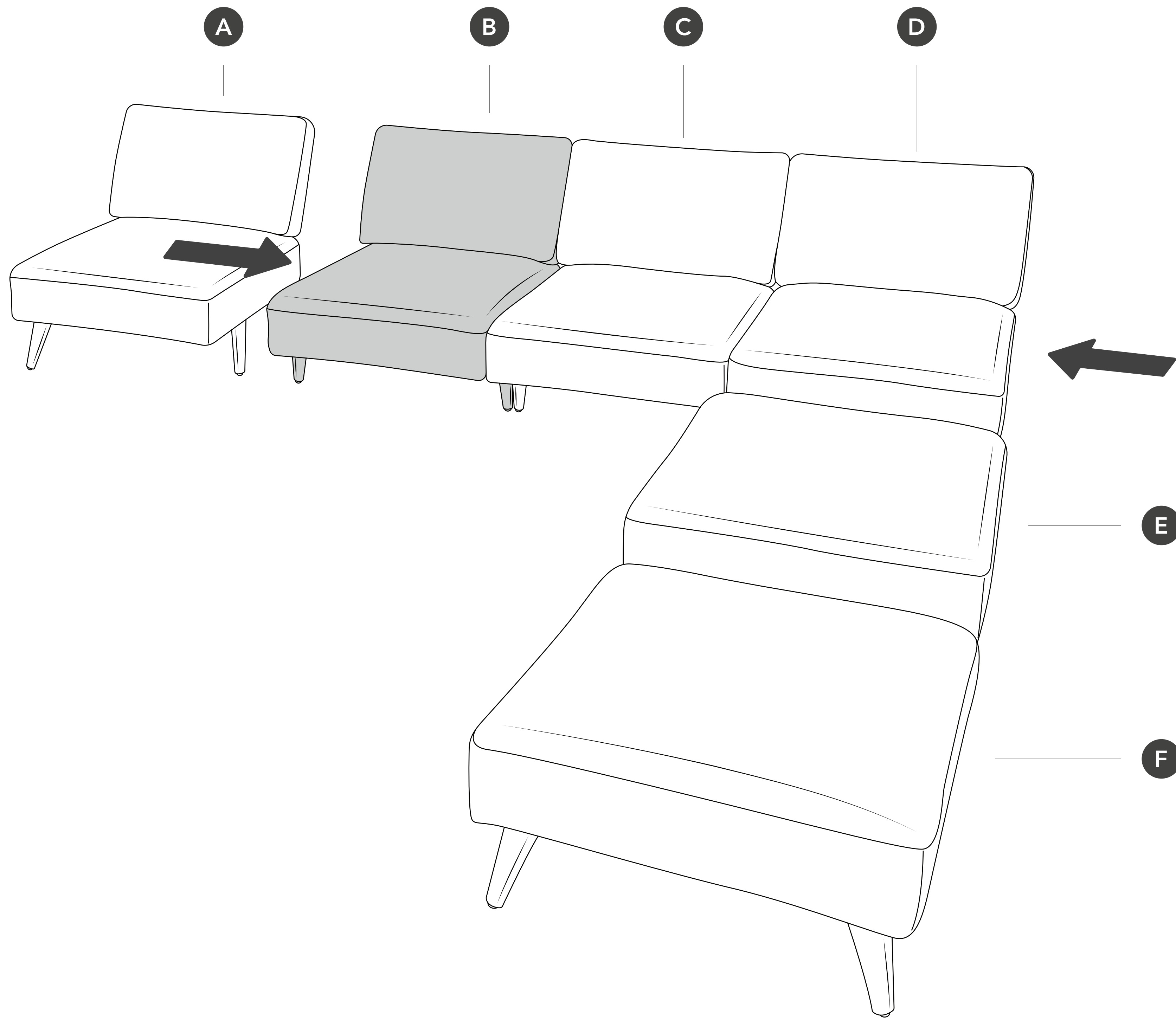


15 Join seats C and D

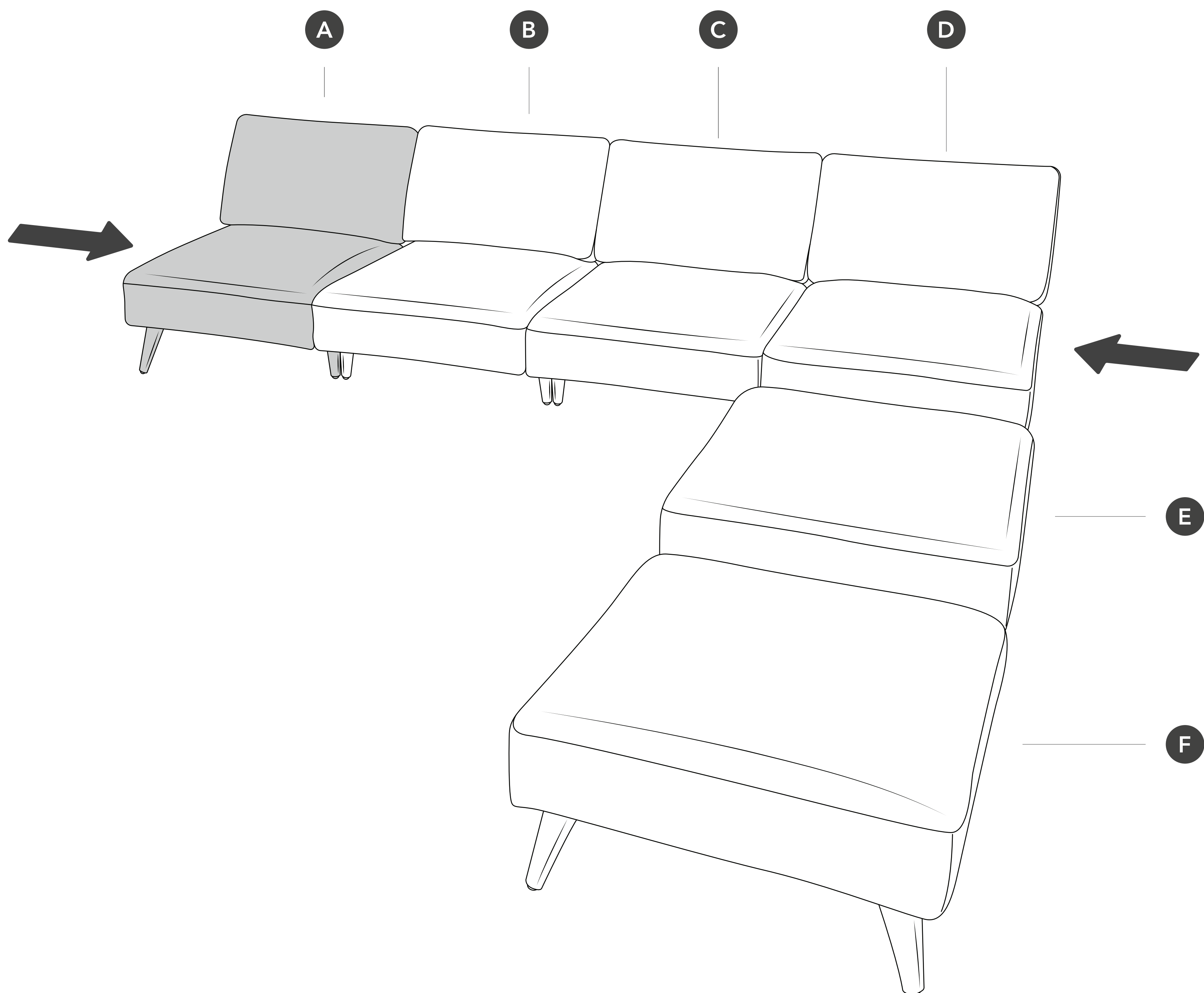
Insert joiner brackets into seat C and then slide seat D onto joiner brackets. Listen for the clicks.



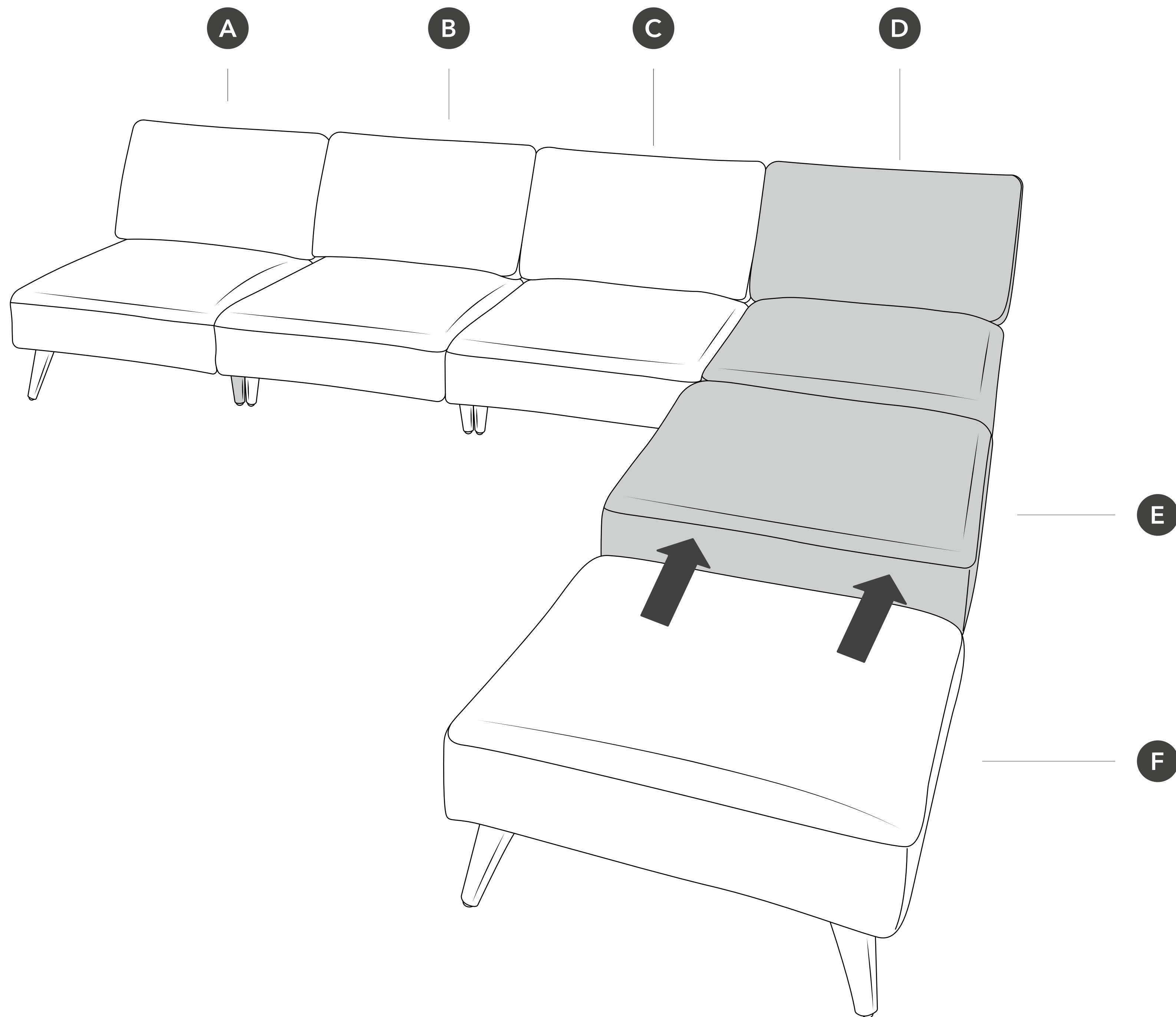
16 Join seats B and C
Listen for the clicks.



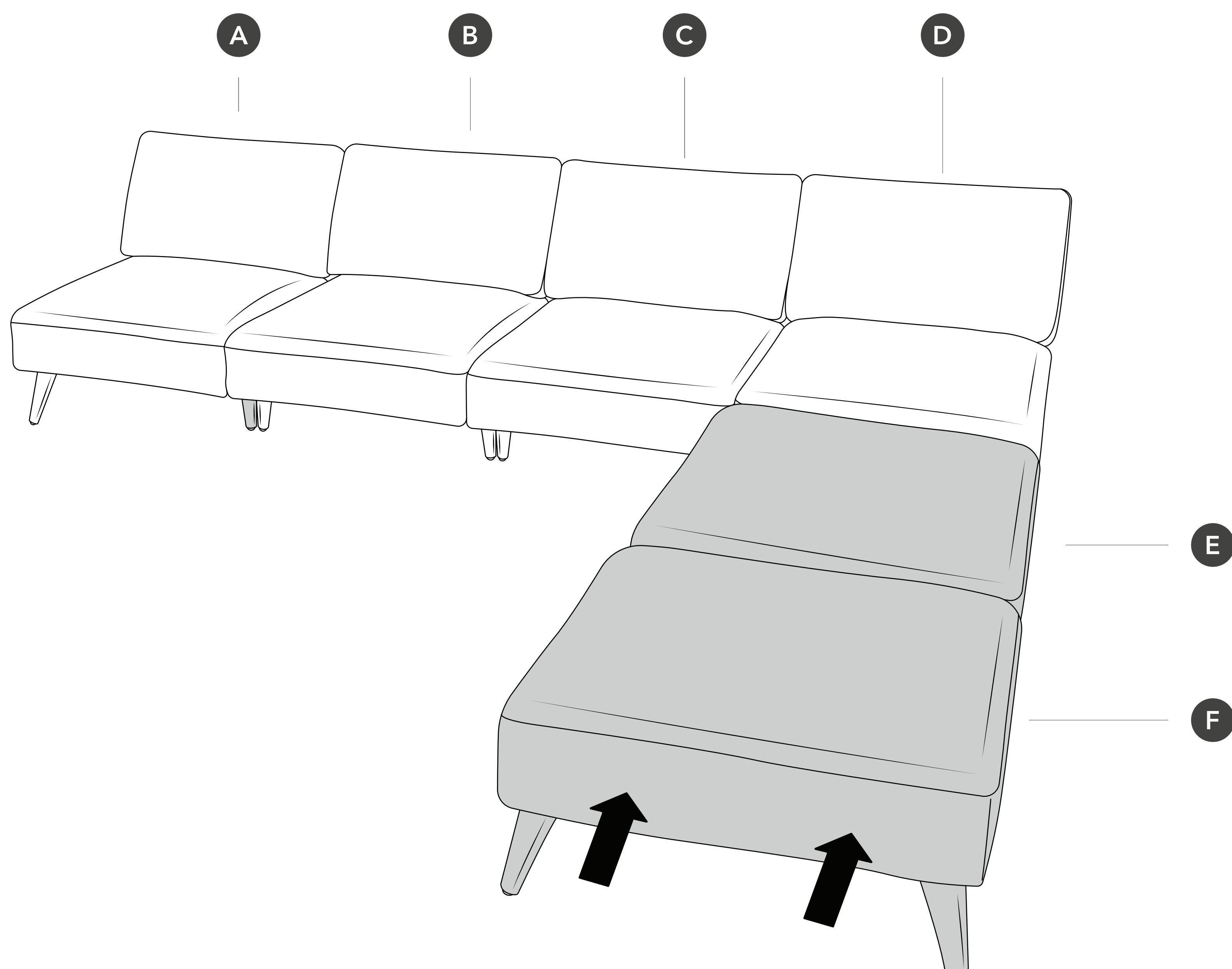
17 Join seats A and B
Listen for the clicks.



18 Join seats D and E
Listen for the clicks.



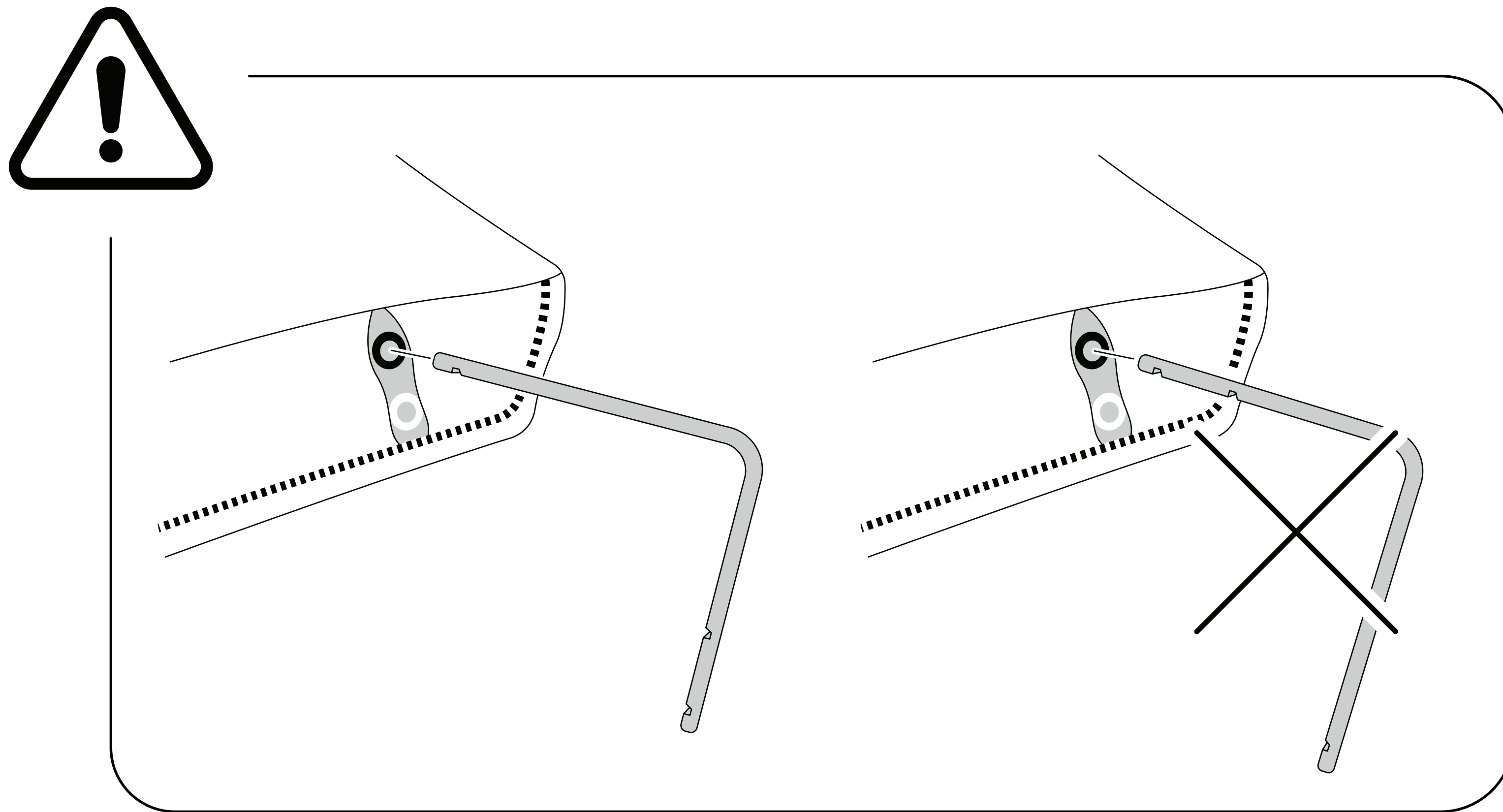
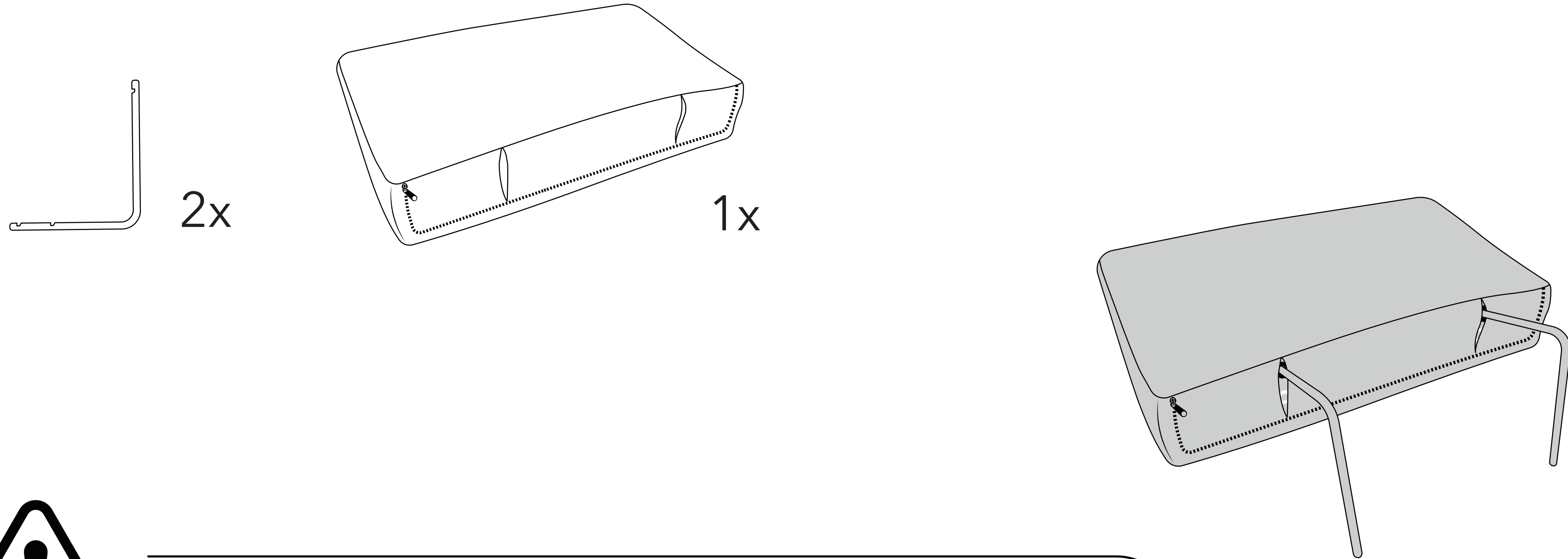
19 Join seats E and F
Listen for the clicks.



20

Insert L brackets into cushion

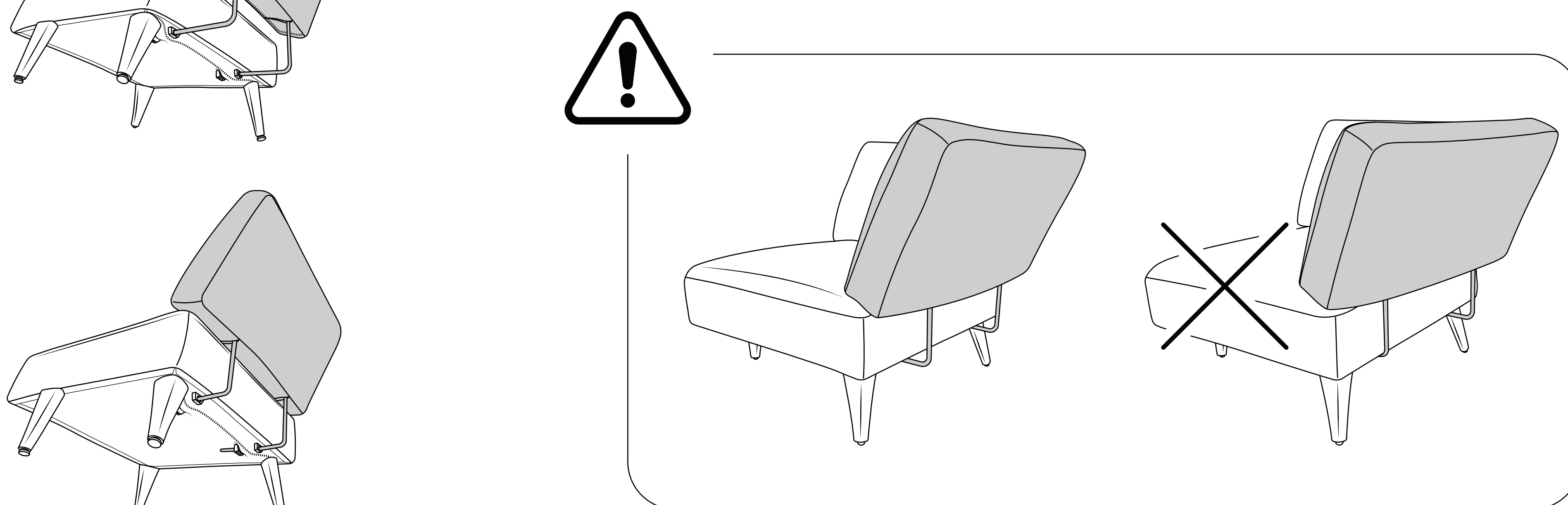
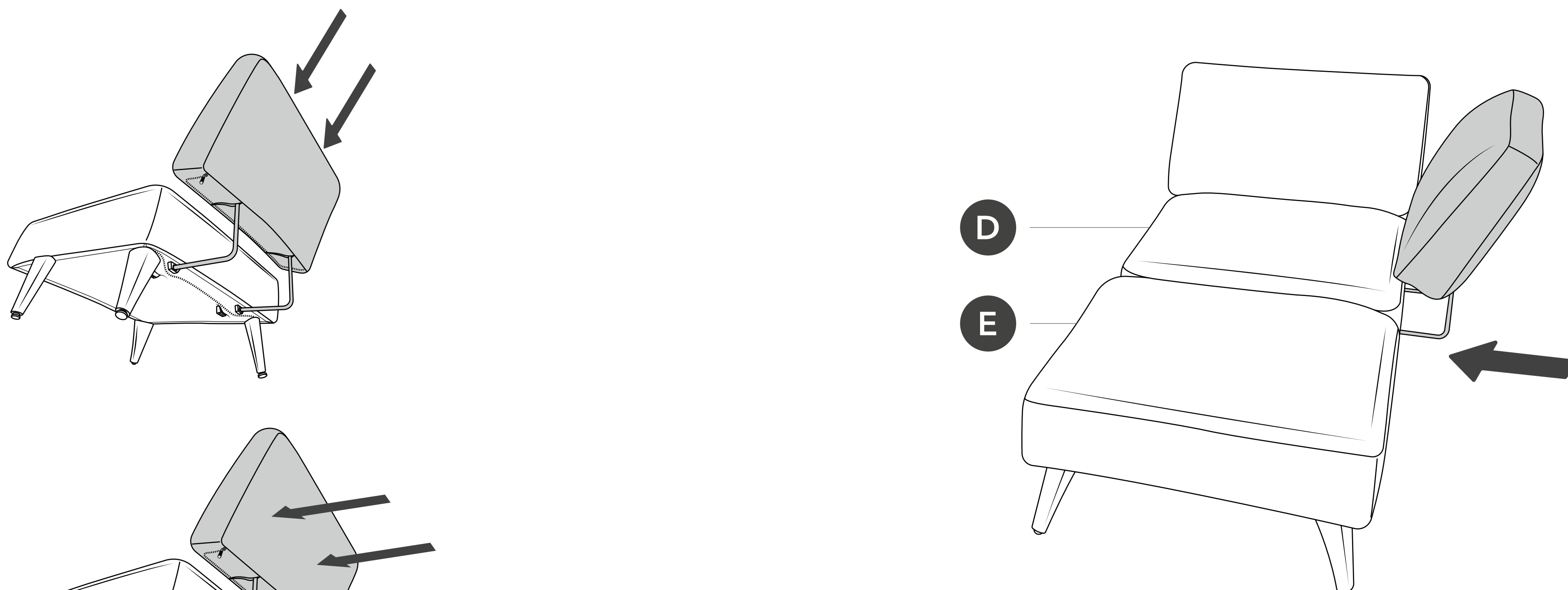
Insert end with one groove into black hole



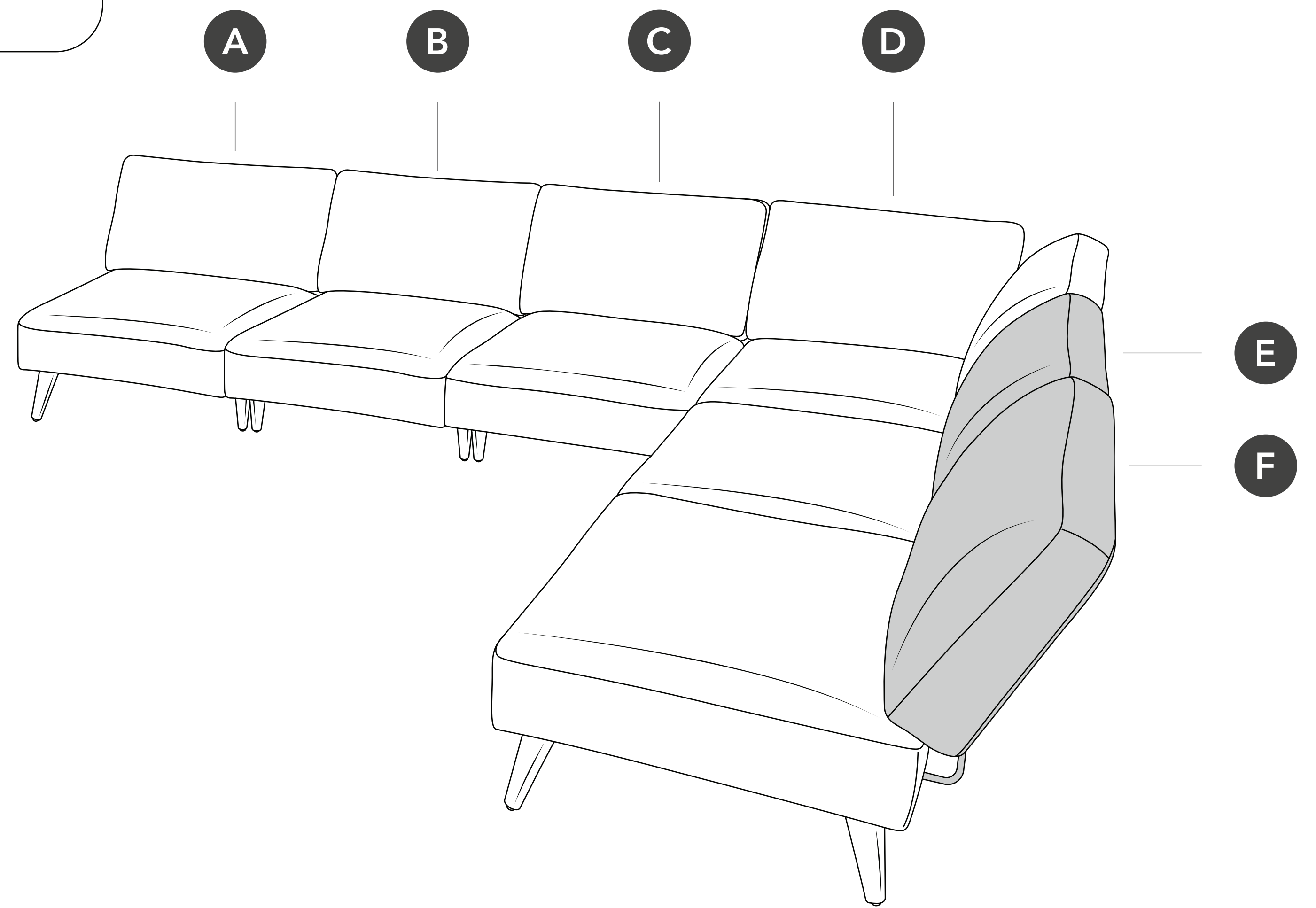
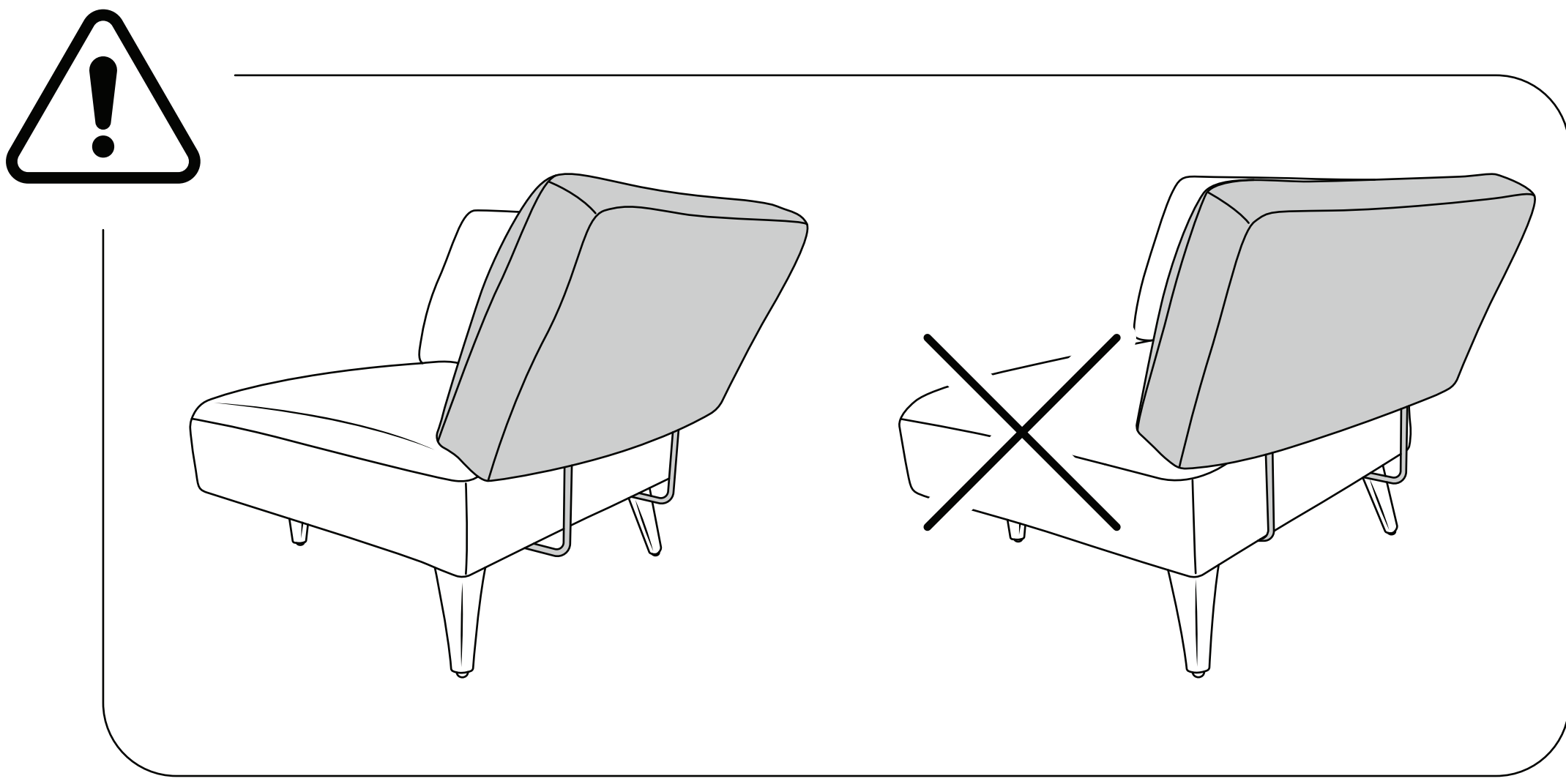
21

Attach cushion to seat D

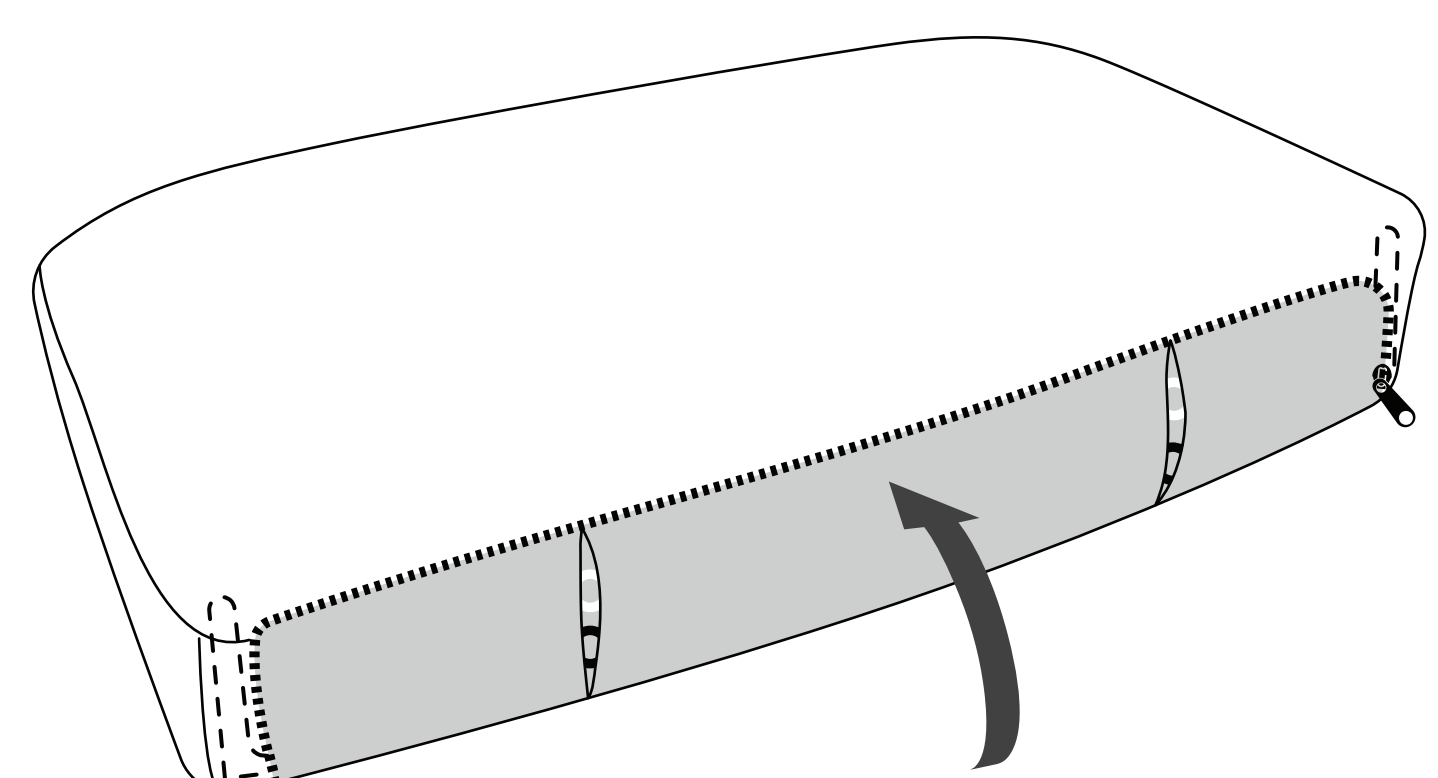
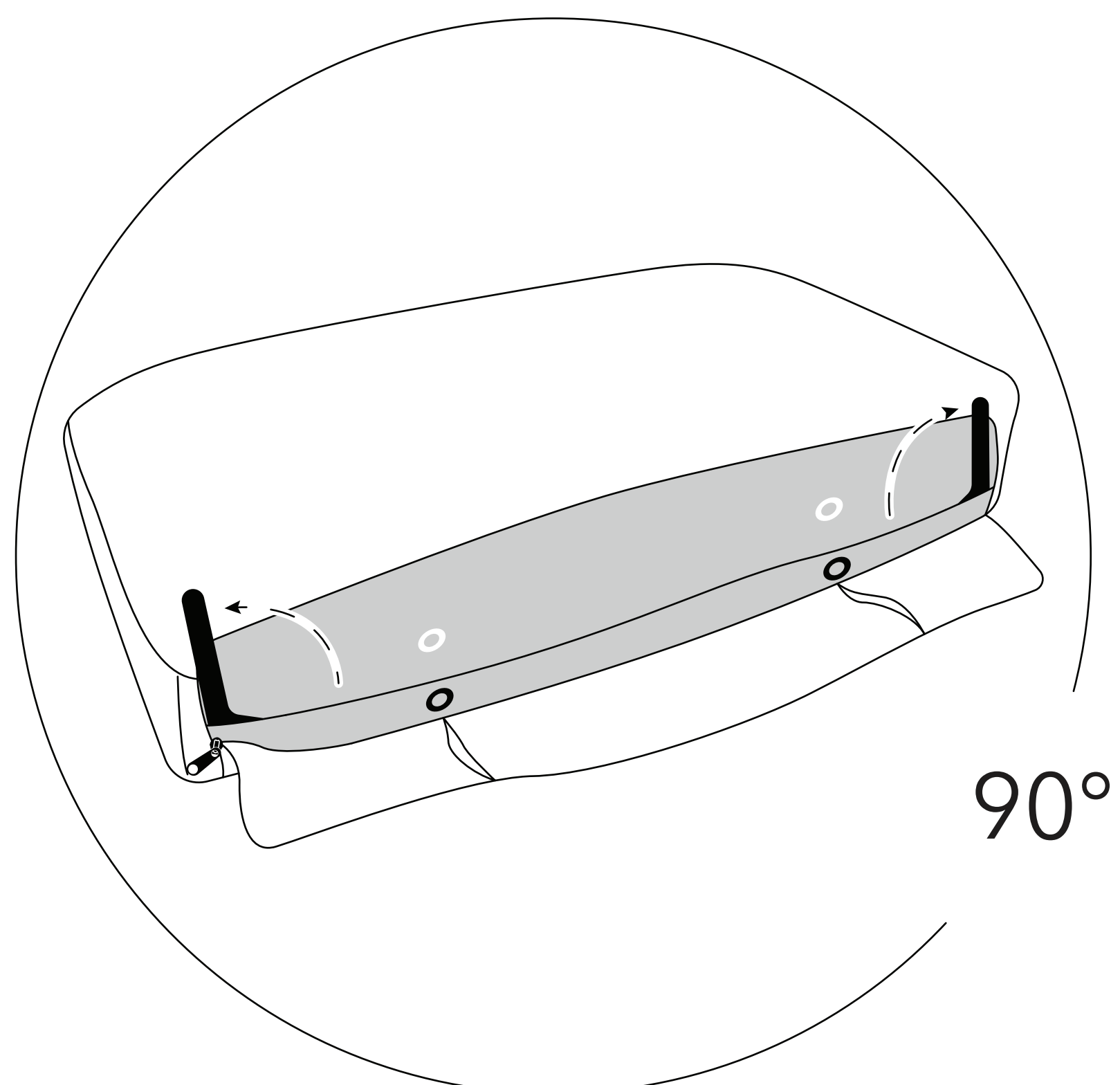
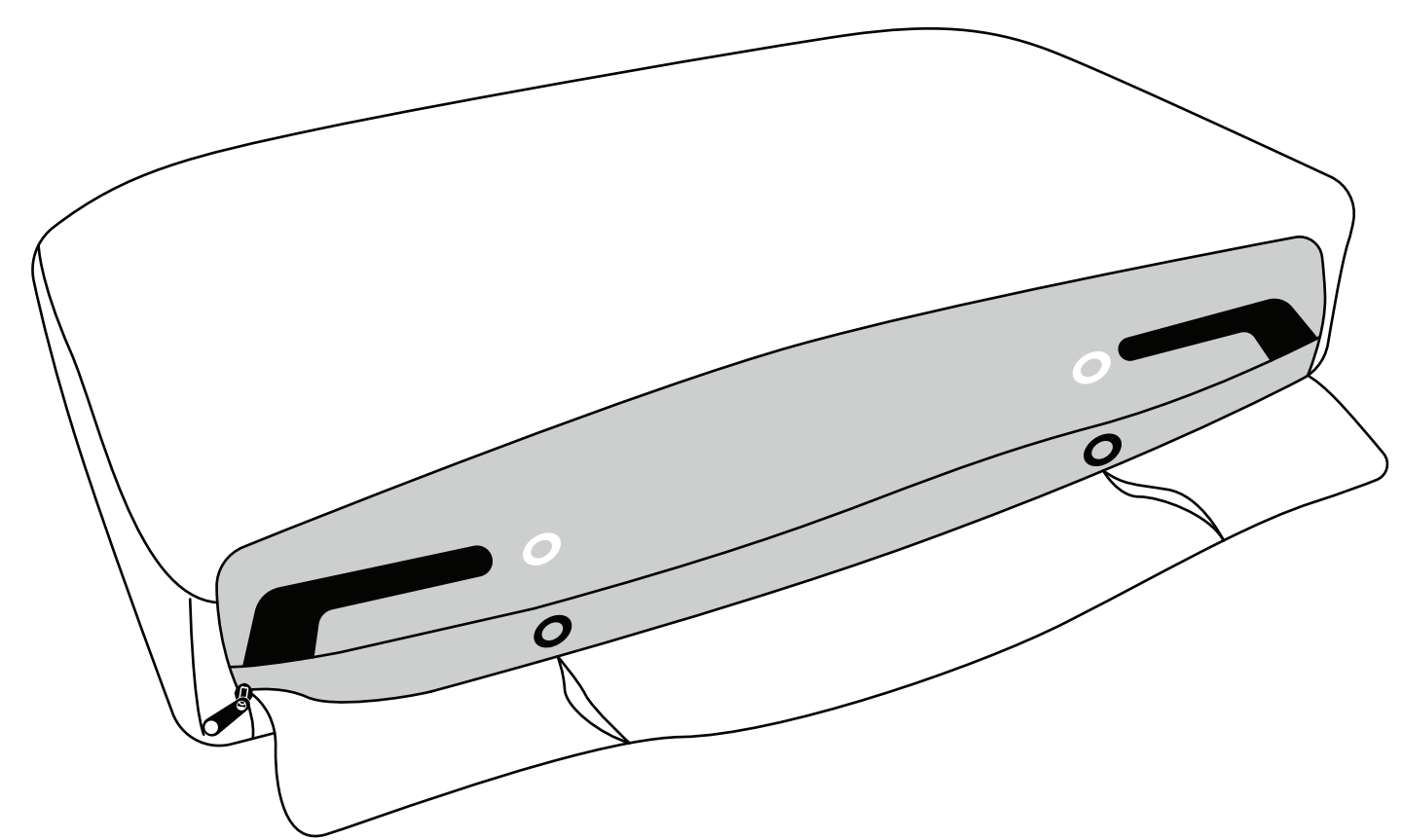
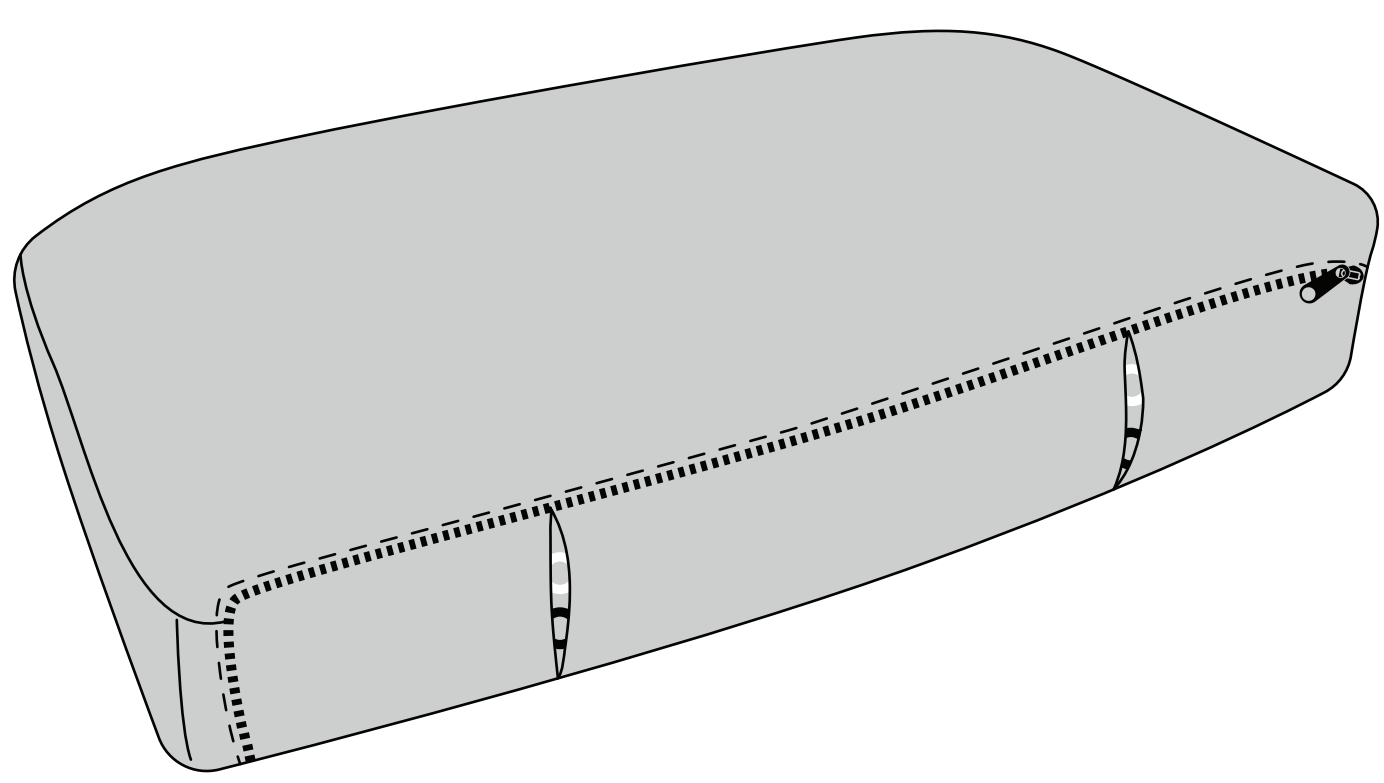
Insert brackets into seat. Listen for the clicks.



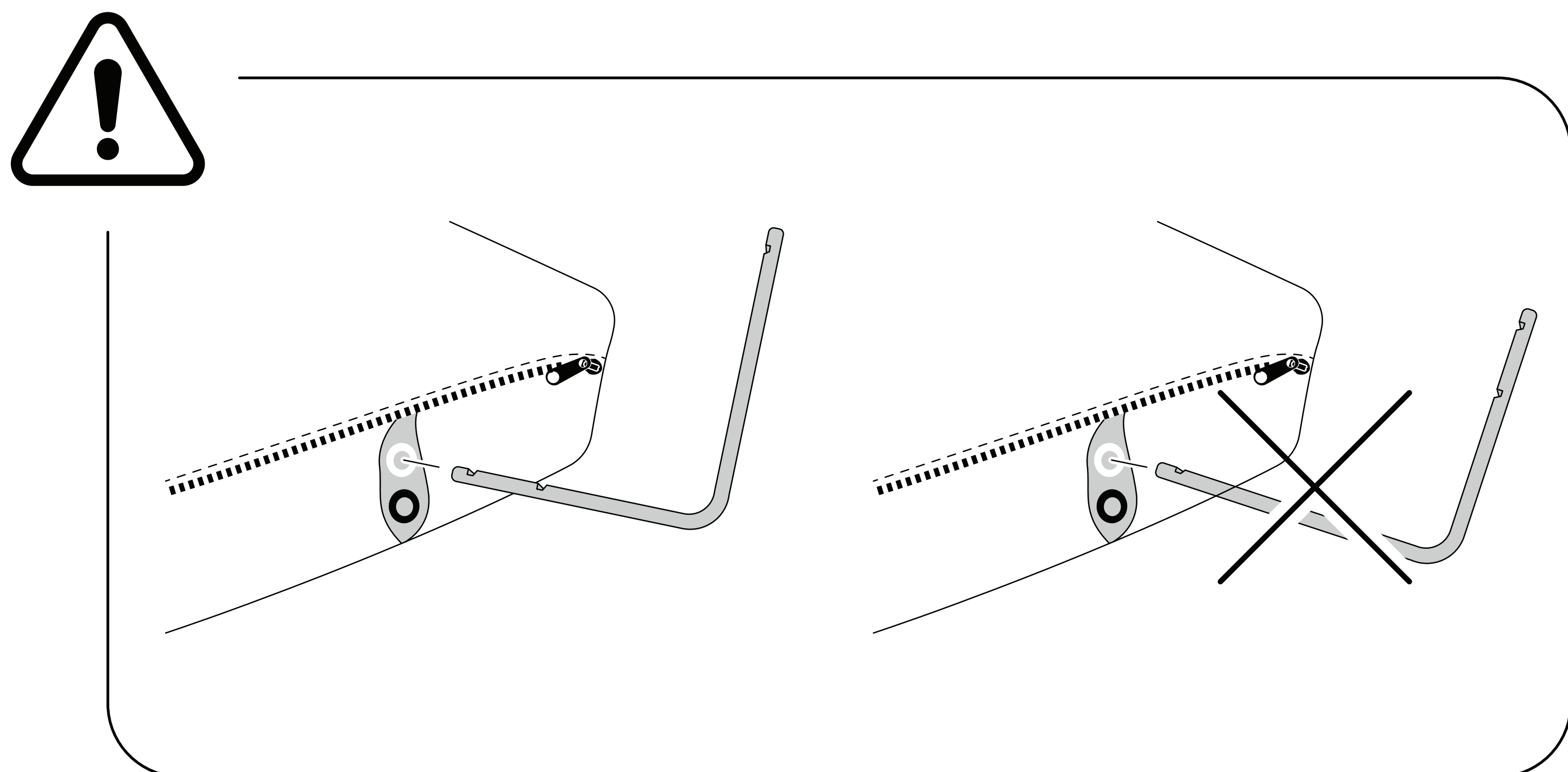
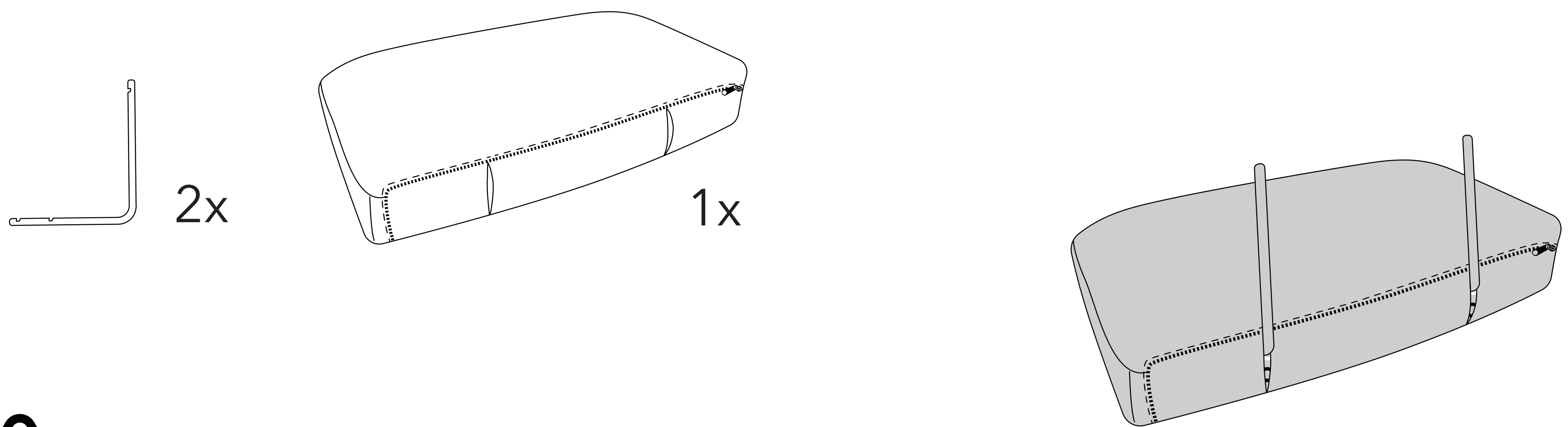
22 Attach cushion to seat E and F
Listen for the clicks.



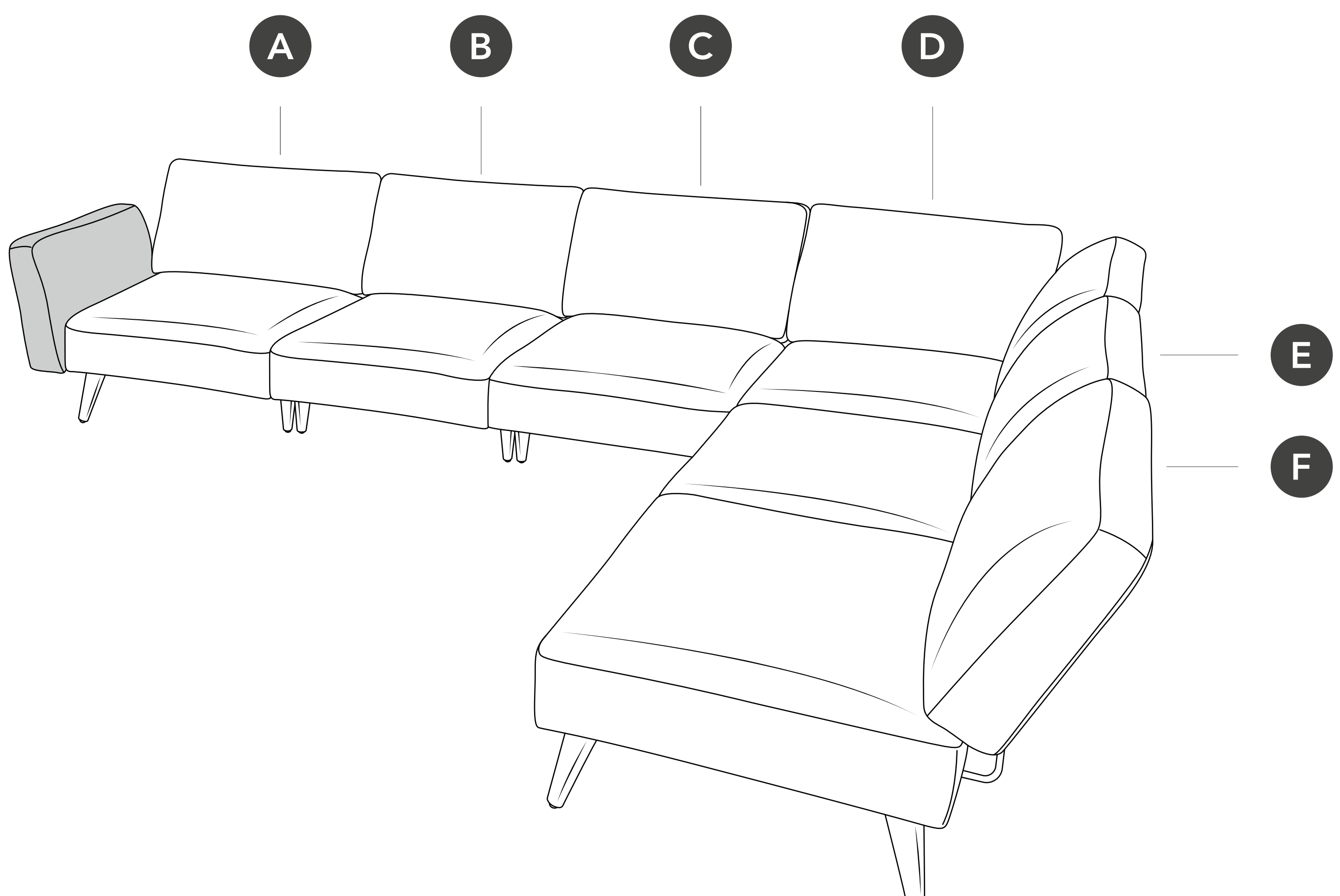
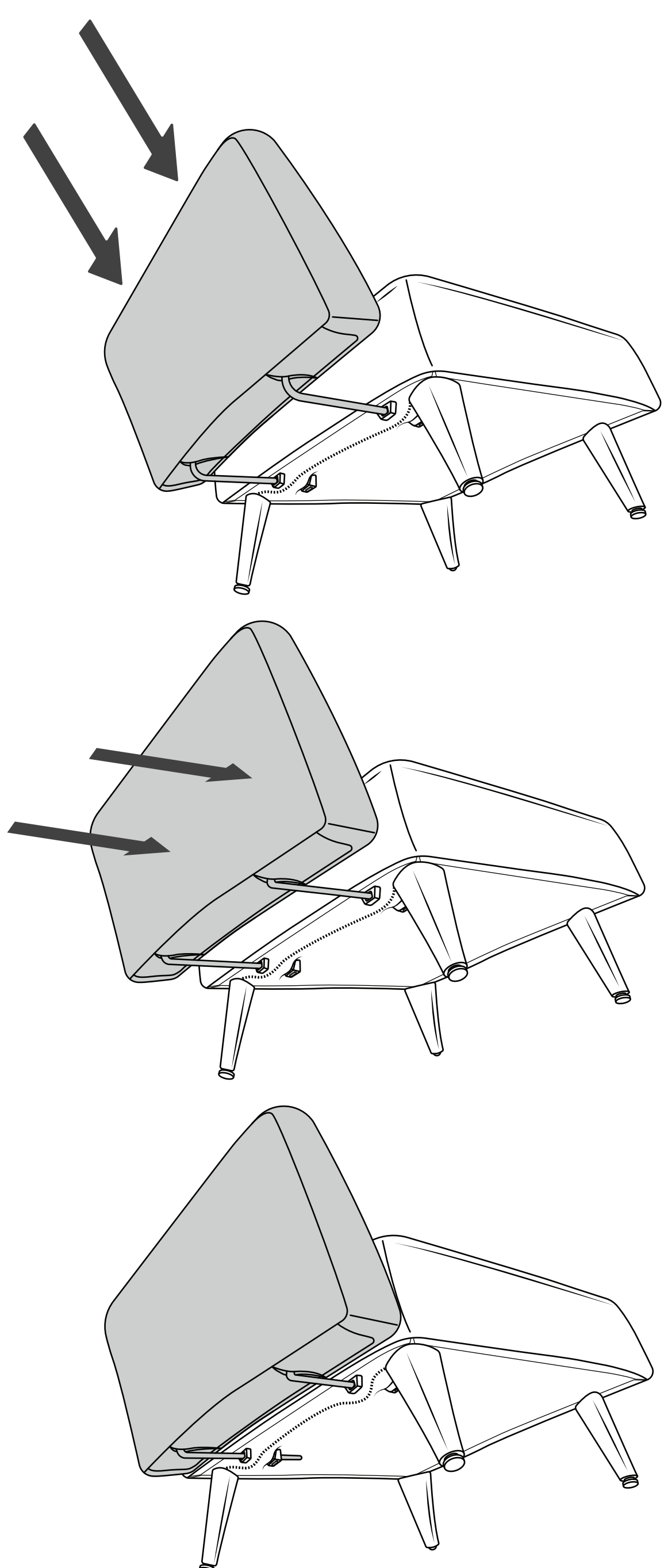
23 Adjust cushion for use as an arm
Unzip cover and swing black brackets 90°. Zip cover closed.



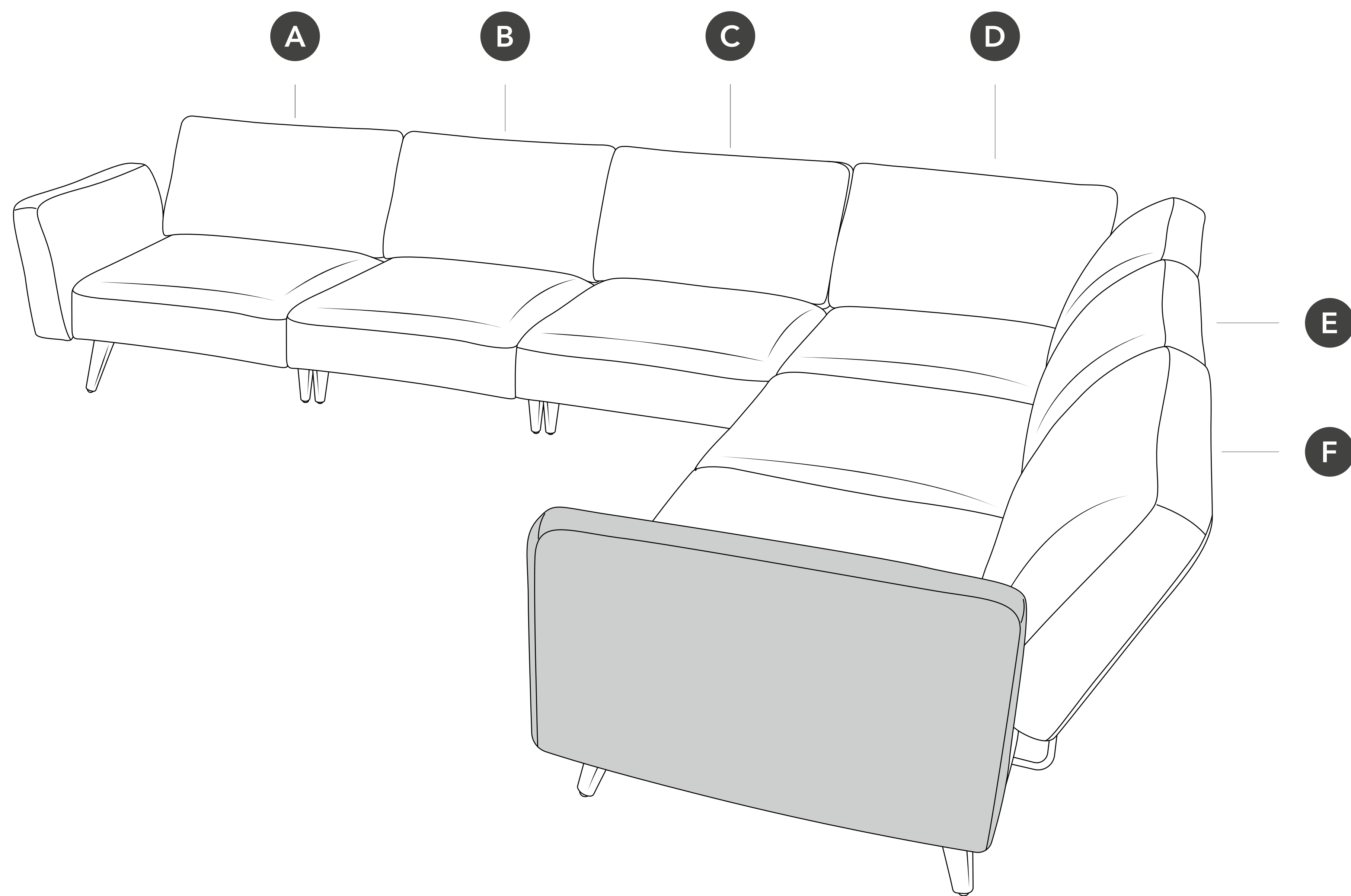
24 **Insert L brackets into cushion**
Insert end with two grooves into white hole



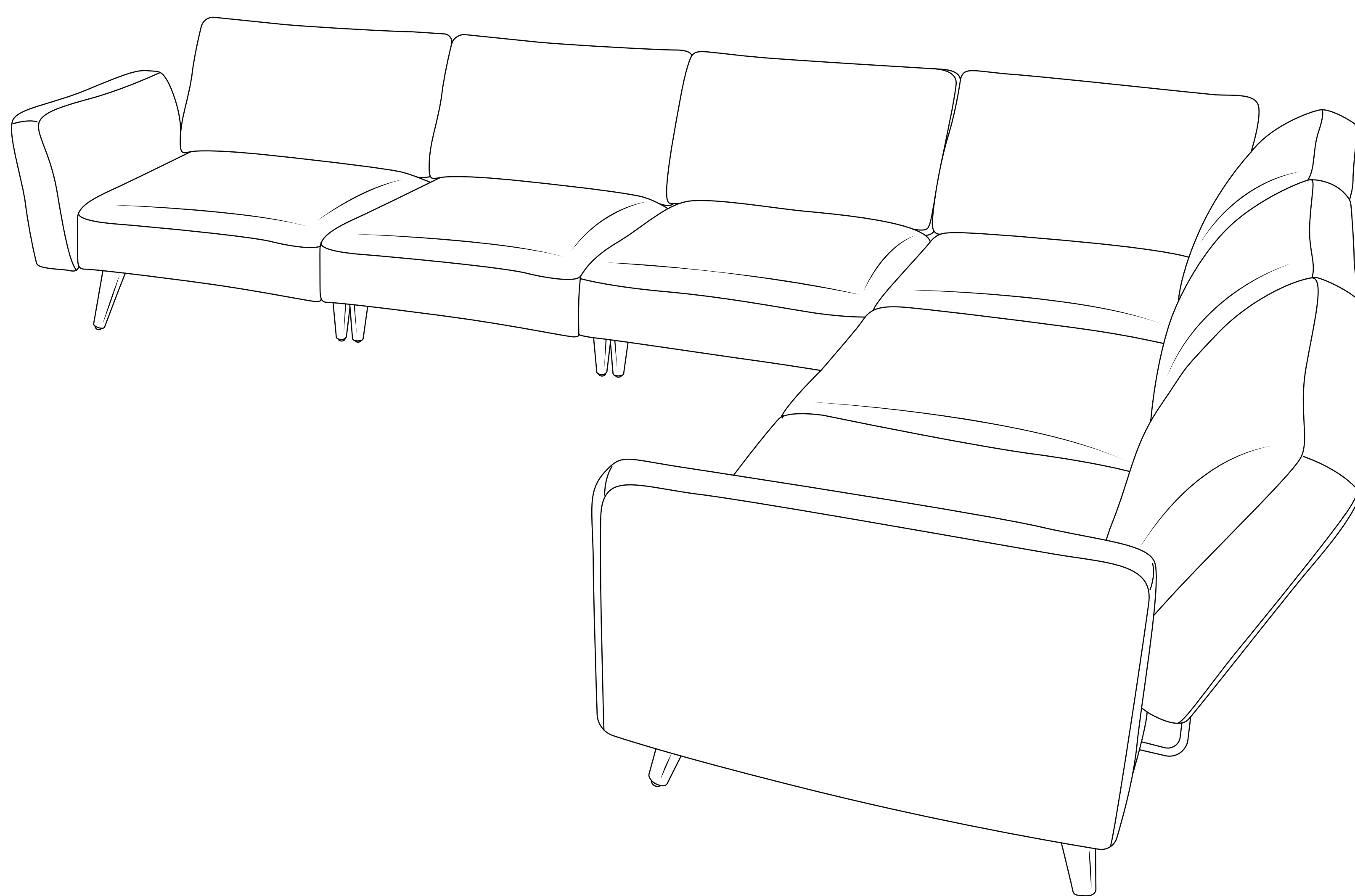
25 **Attach cushion to seat A**
Insert brackets into seat. Listen for the clicks.



26 Attach cushion to seat F



27 Enjoy



We're here to help

For help and support contact us live on chat or email us at support@wattleliving.com