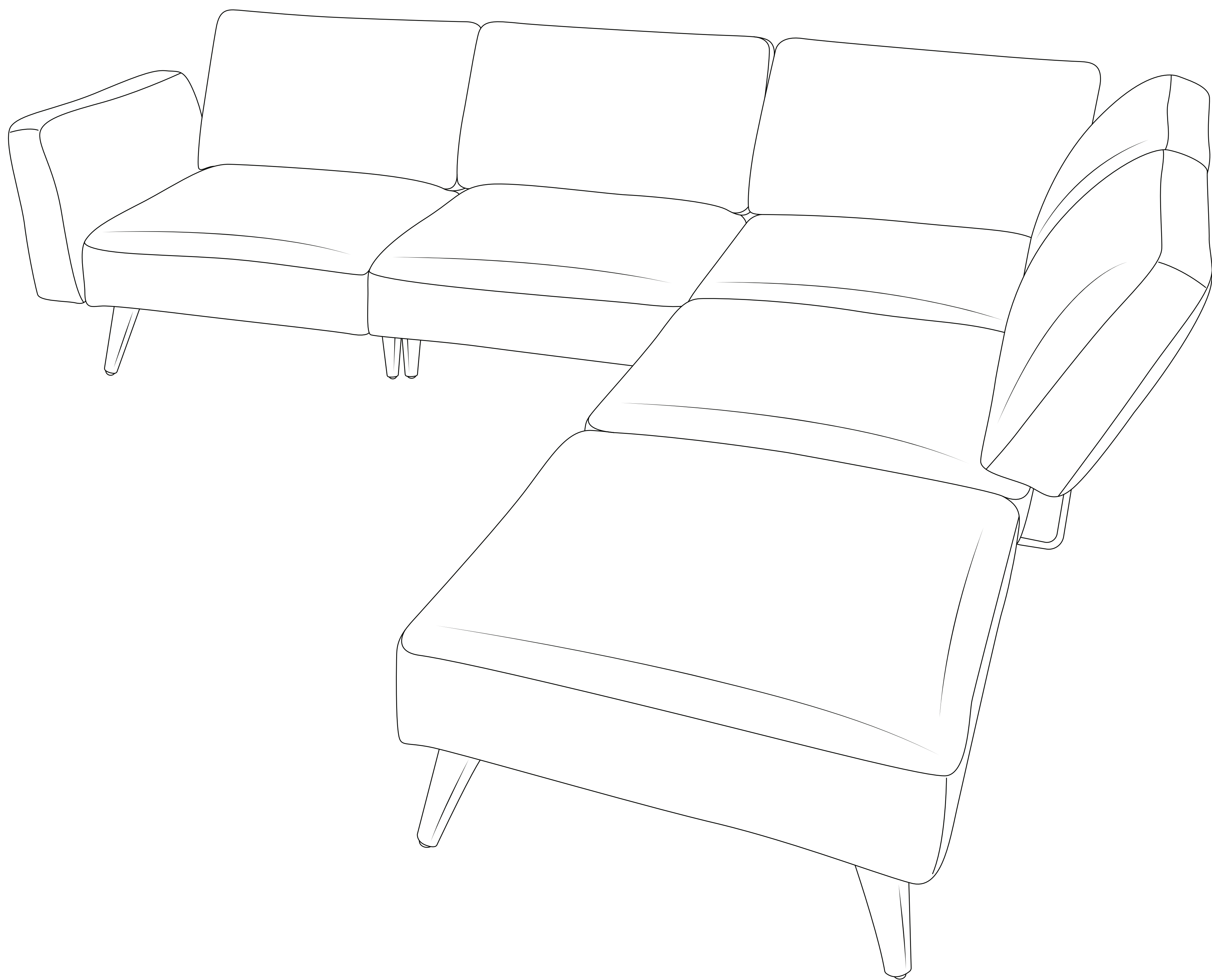
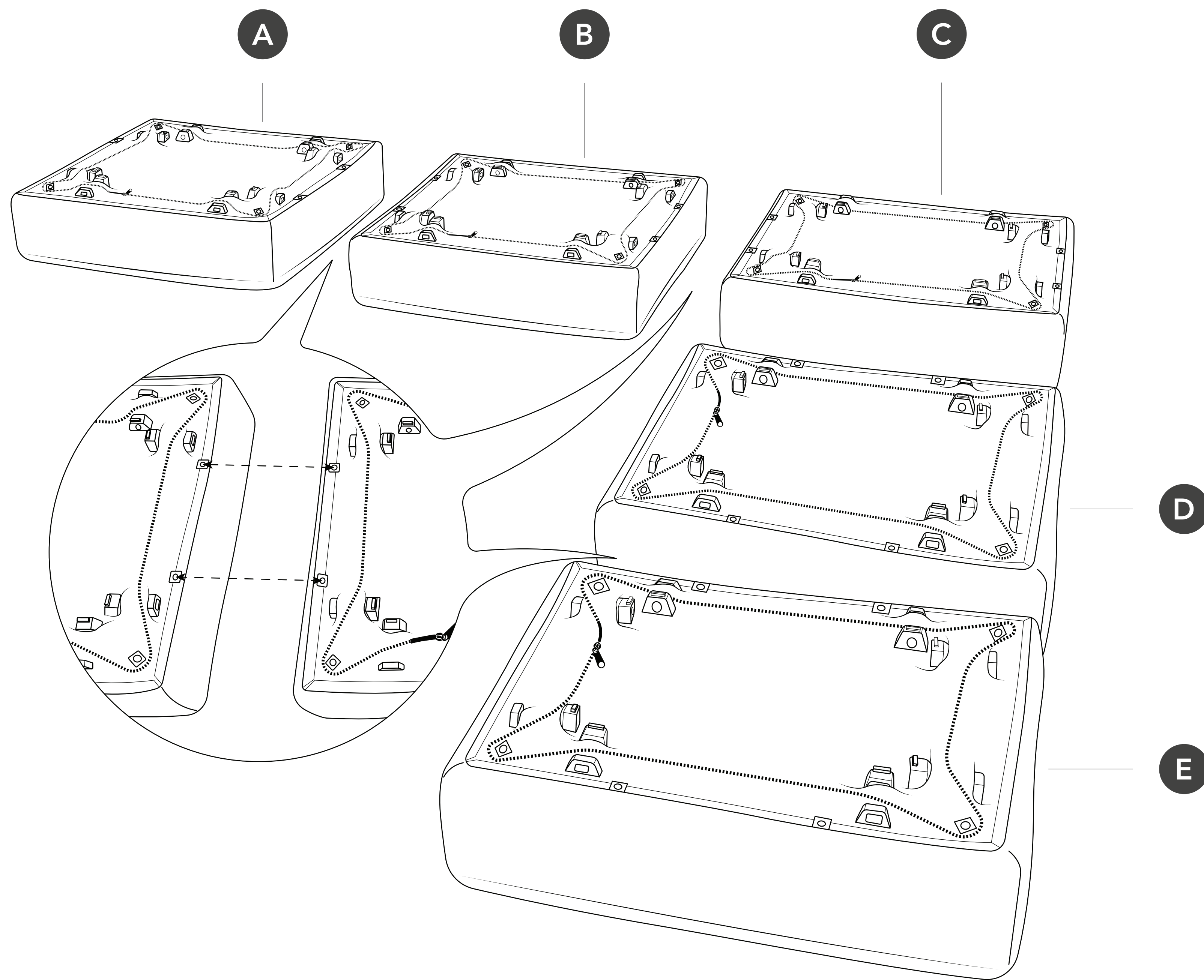


Let's set up your 4 seat sofa + ottoman

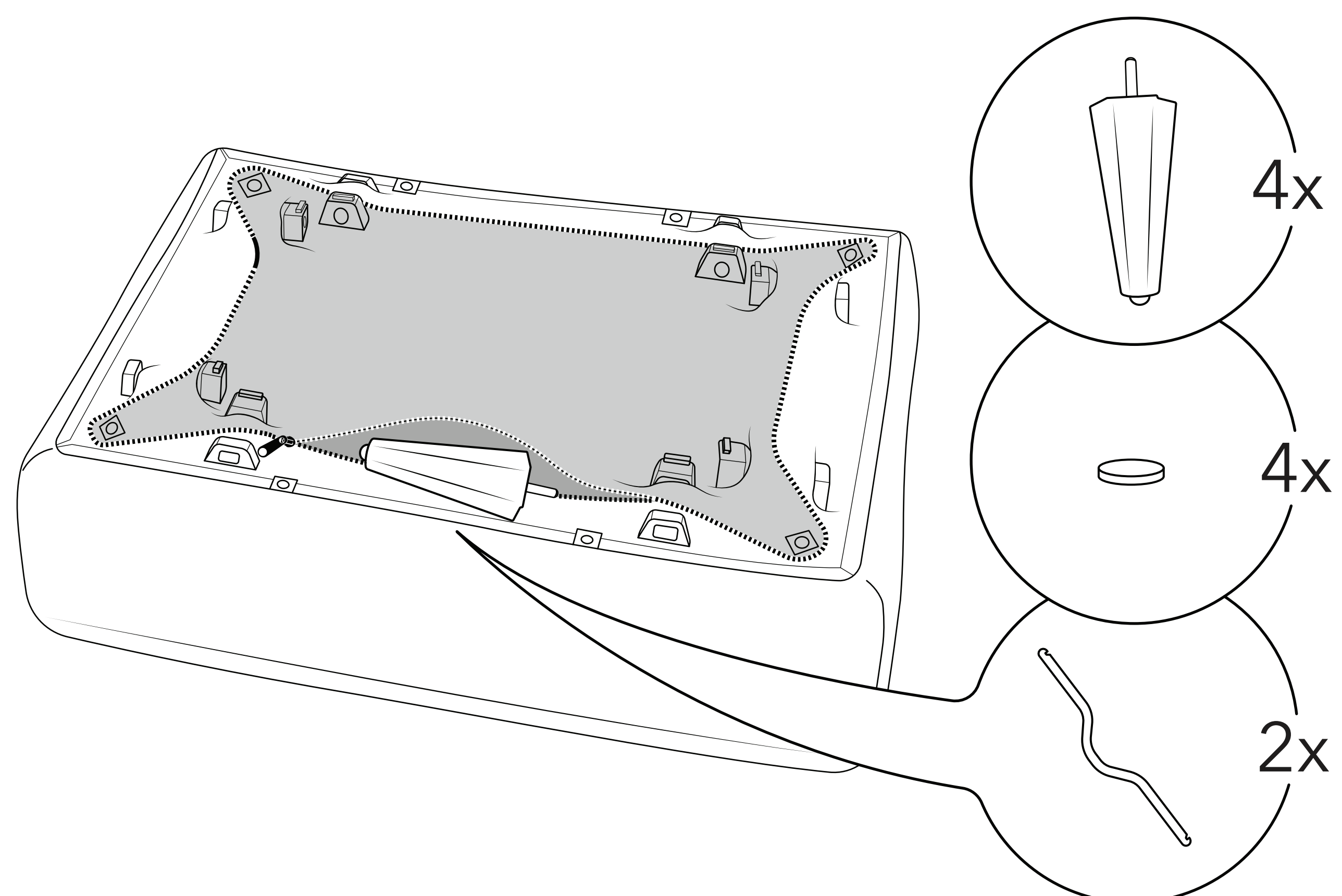


1 Unbox seats and align the holes



2 Remove legs and brackets

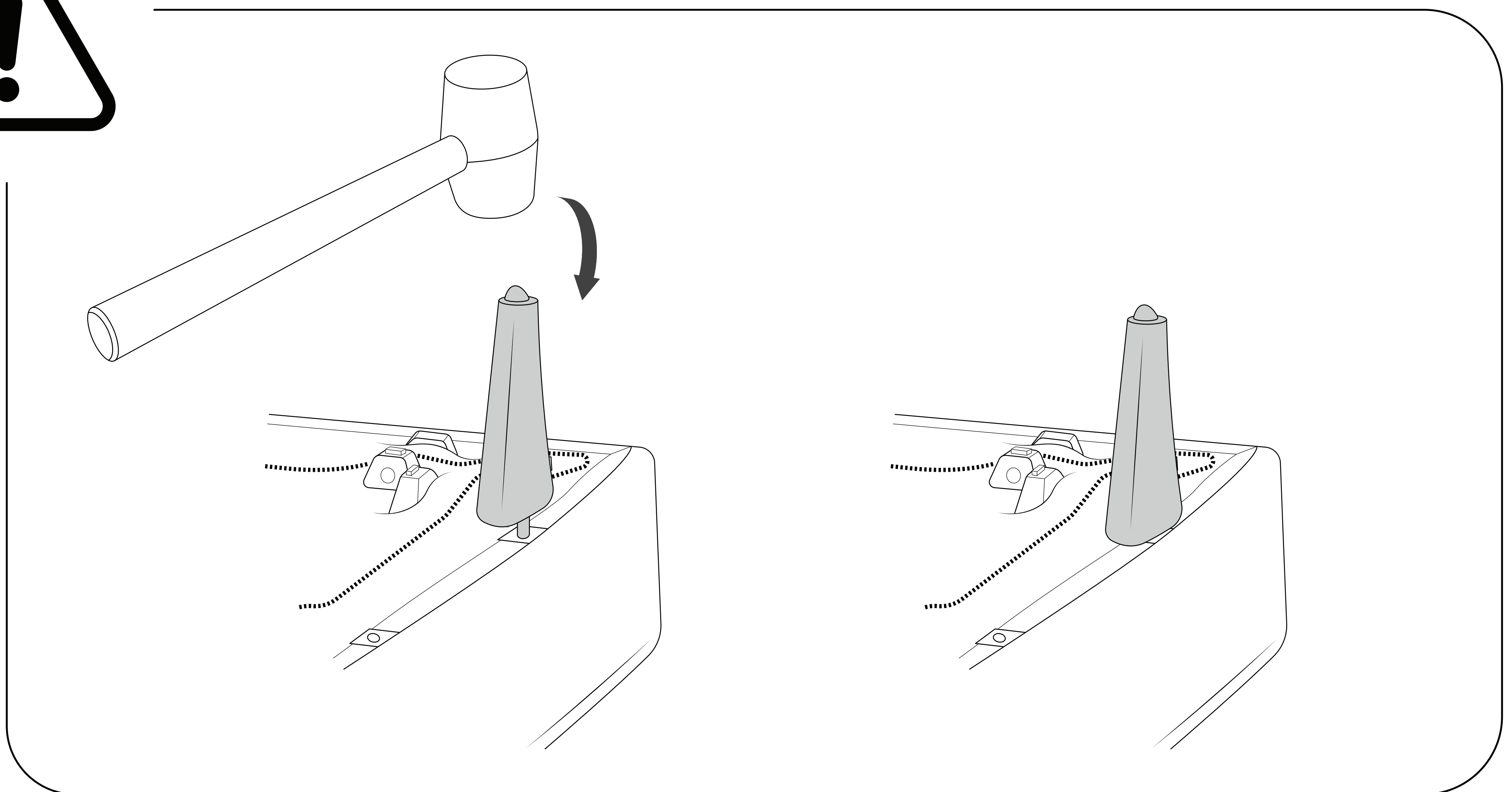
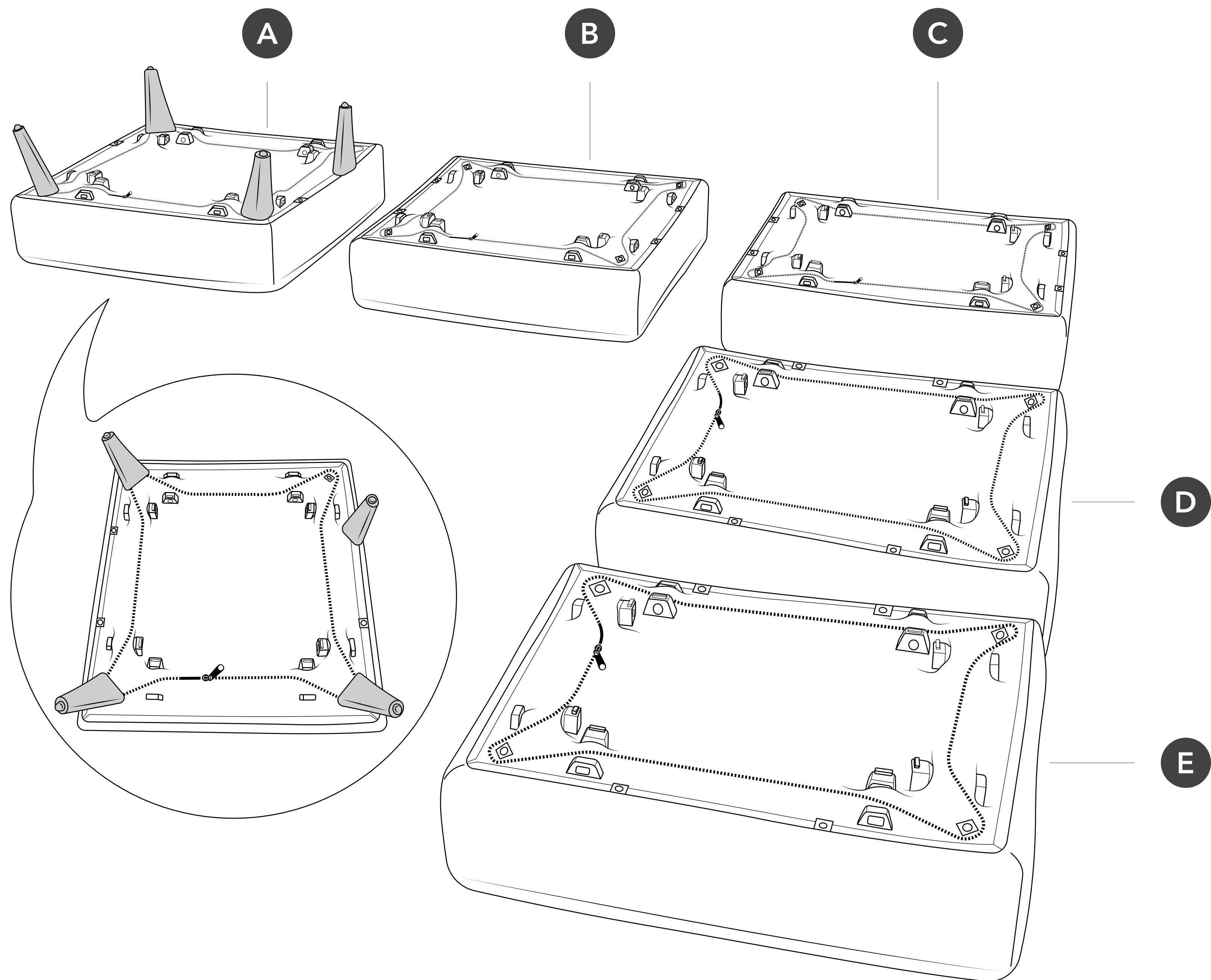
Unzip pocket underneath the seat and remove the legs, felt pads and brackets



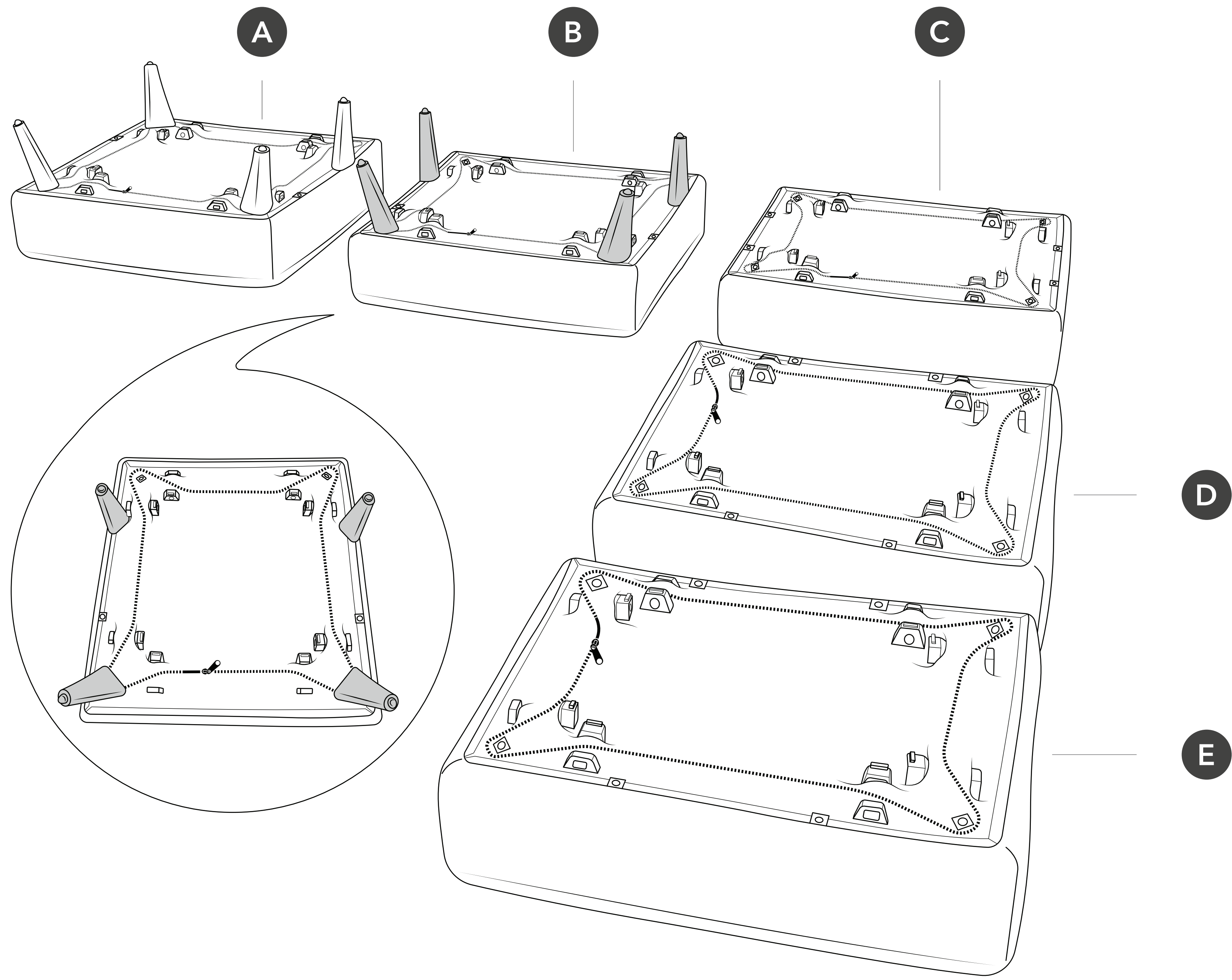
3

Insert legs into seat A

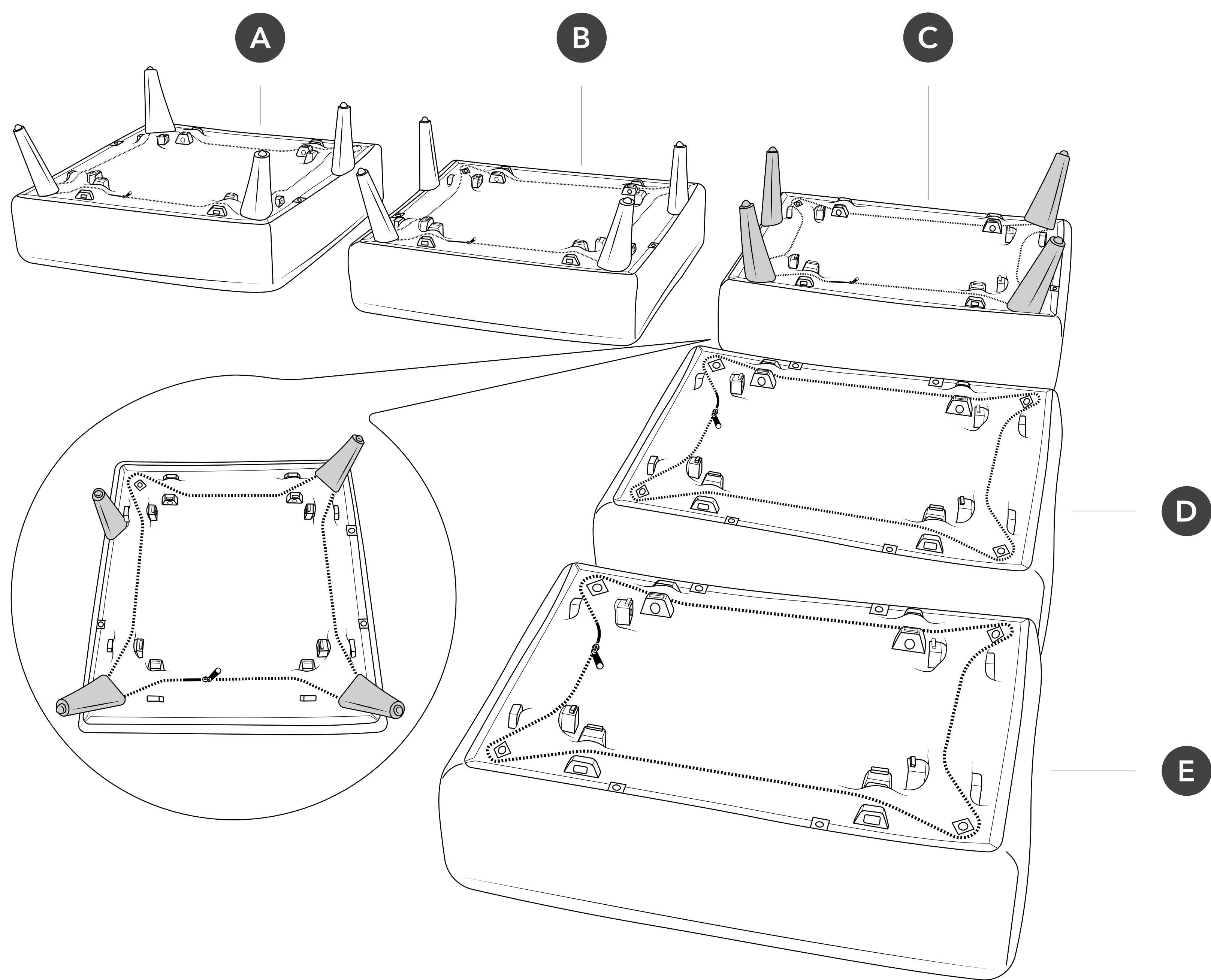
If you're unable to fully insert the legs with your hands, tap with a mallet.



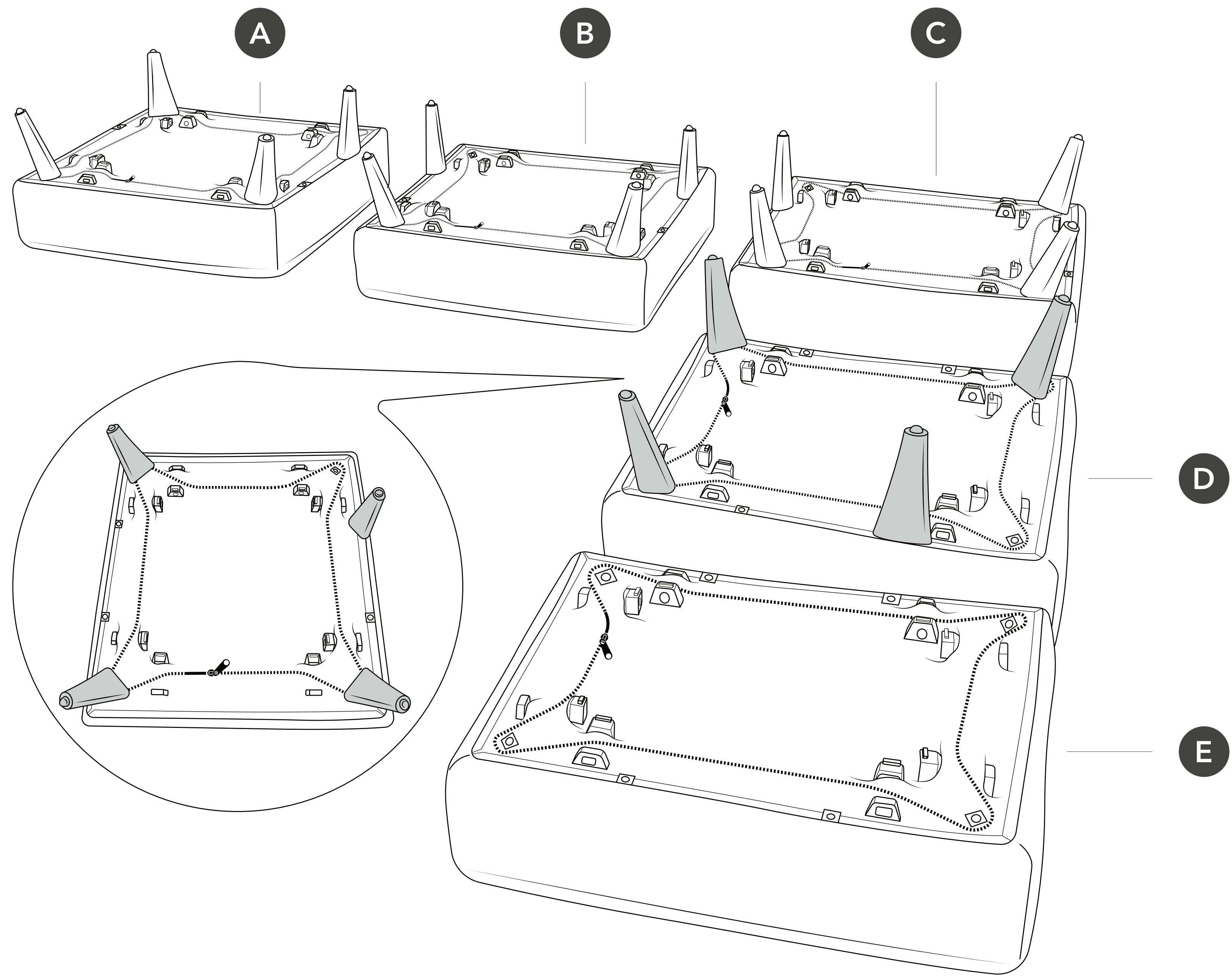
4 Insert legs into seat B



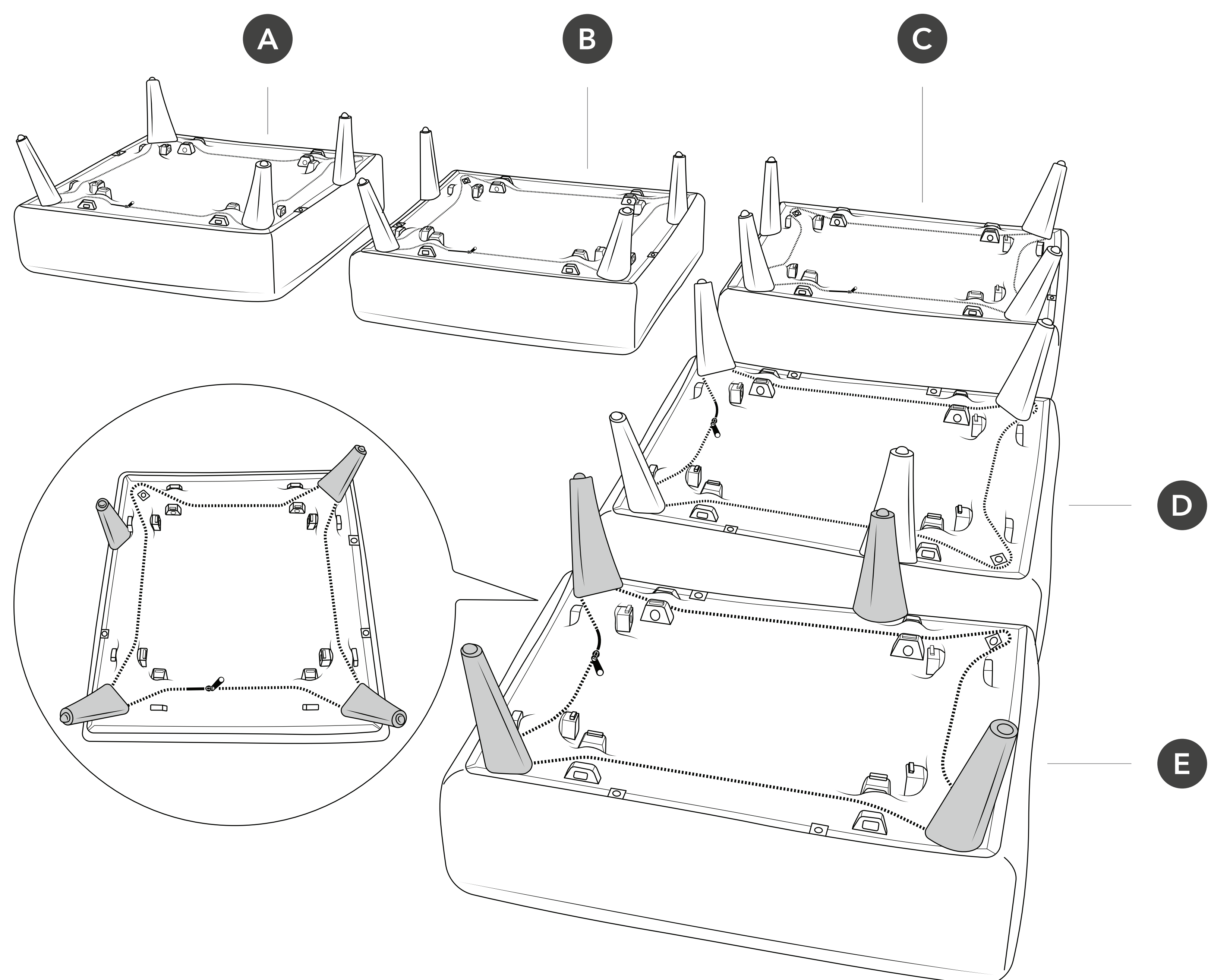
5 Insert legs into seat C



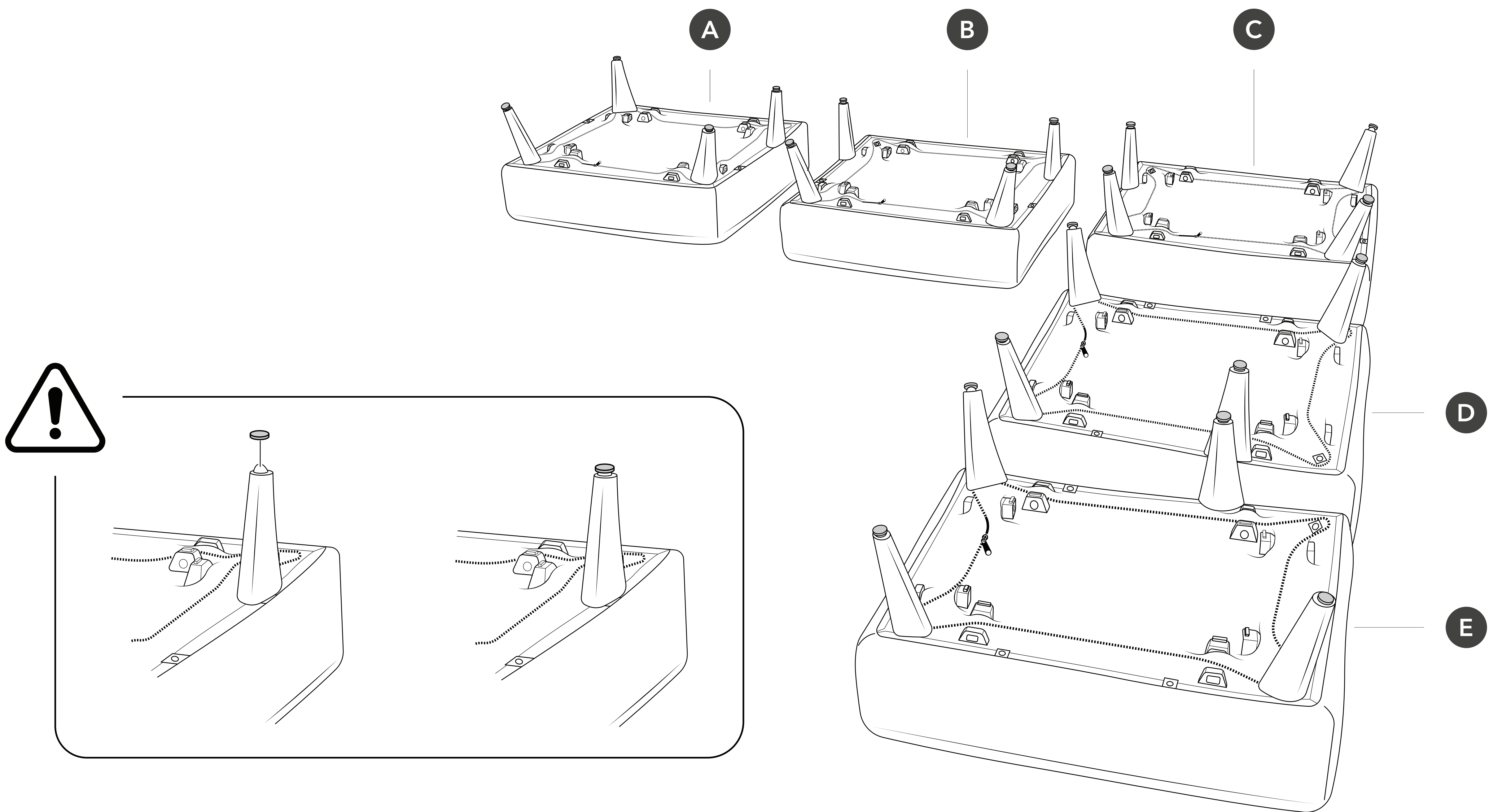
6 Insert legs into seat D



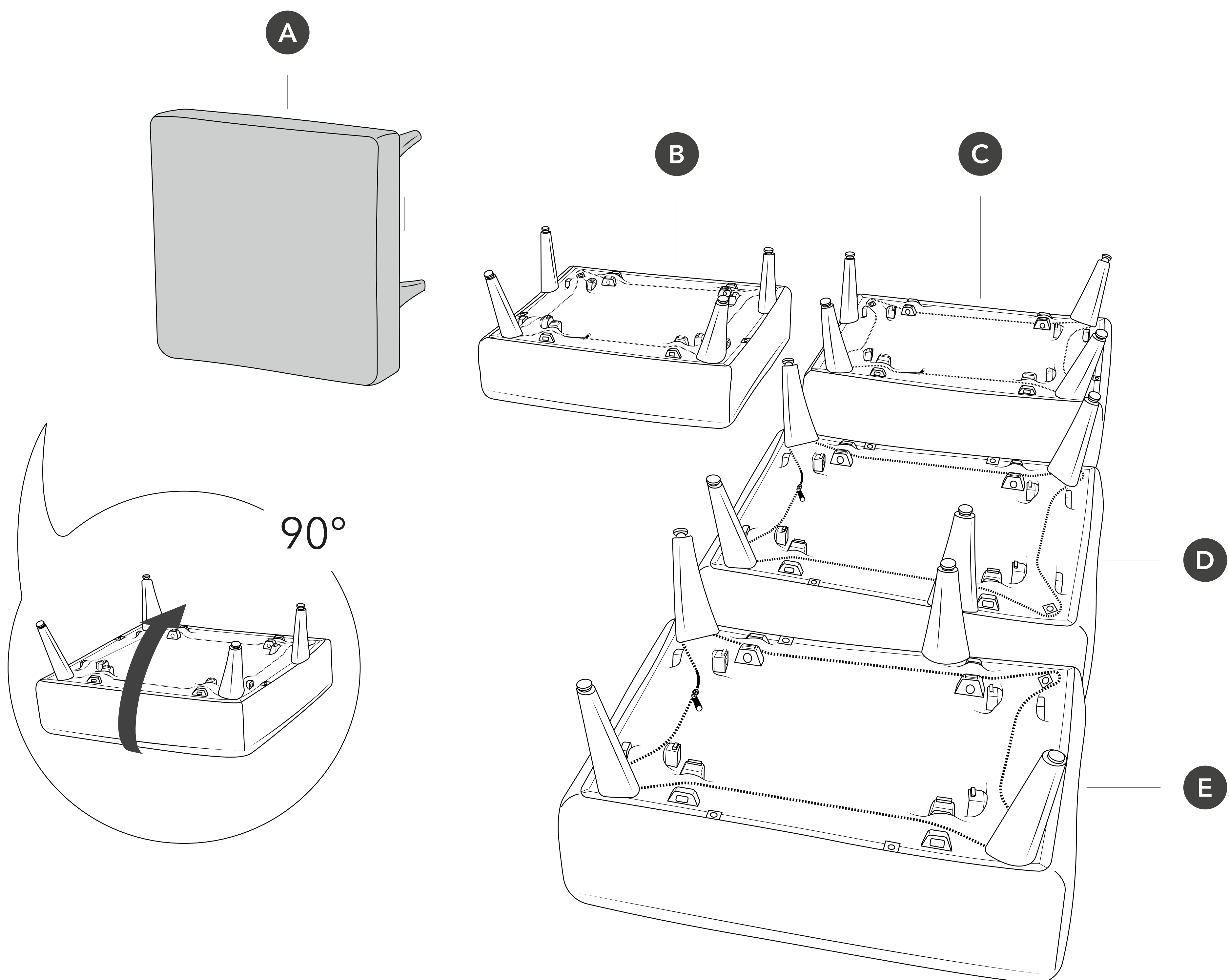
7 Insert legs into seat E



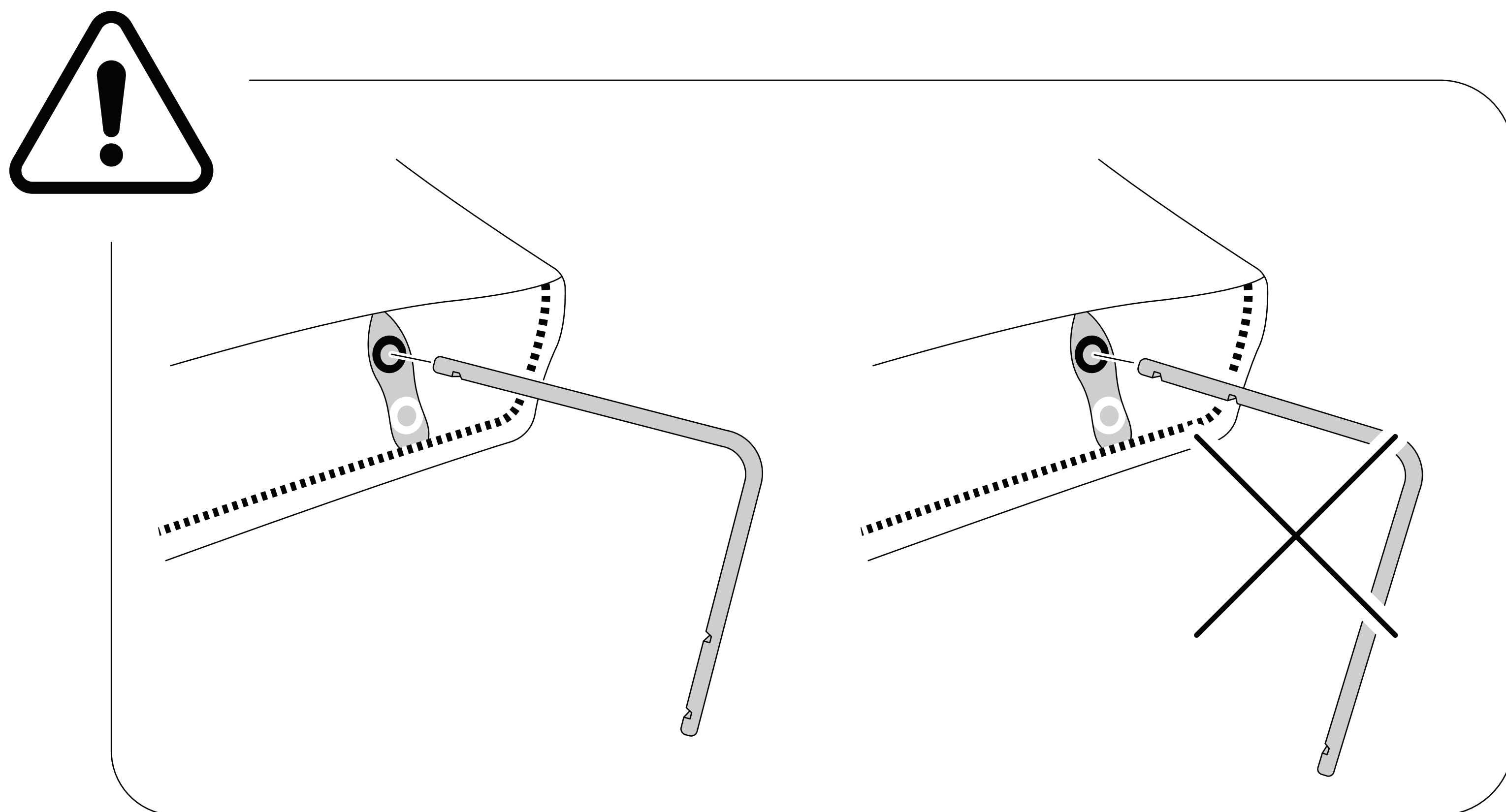
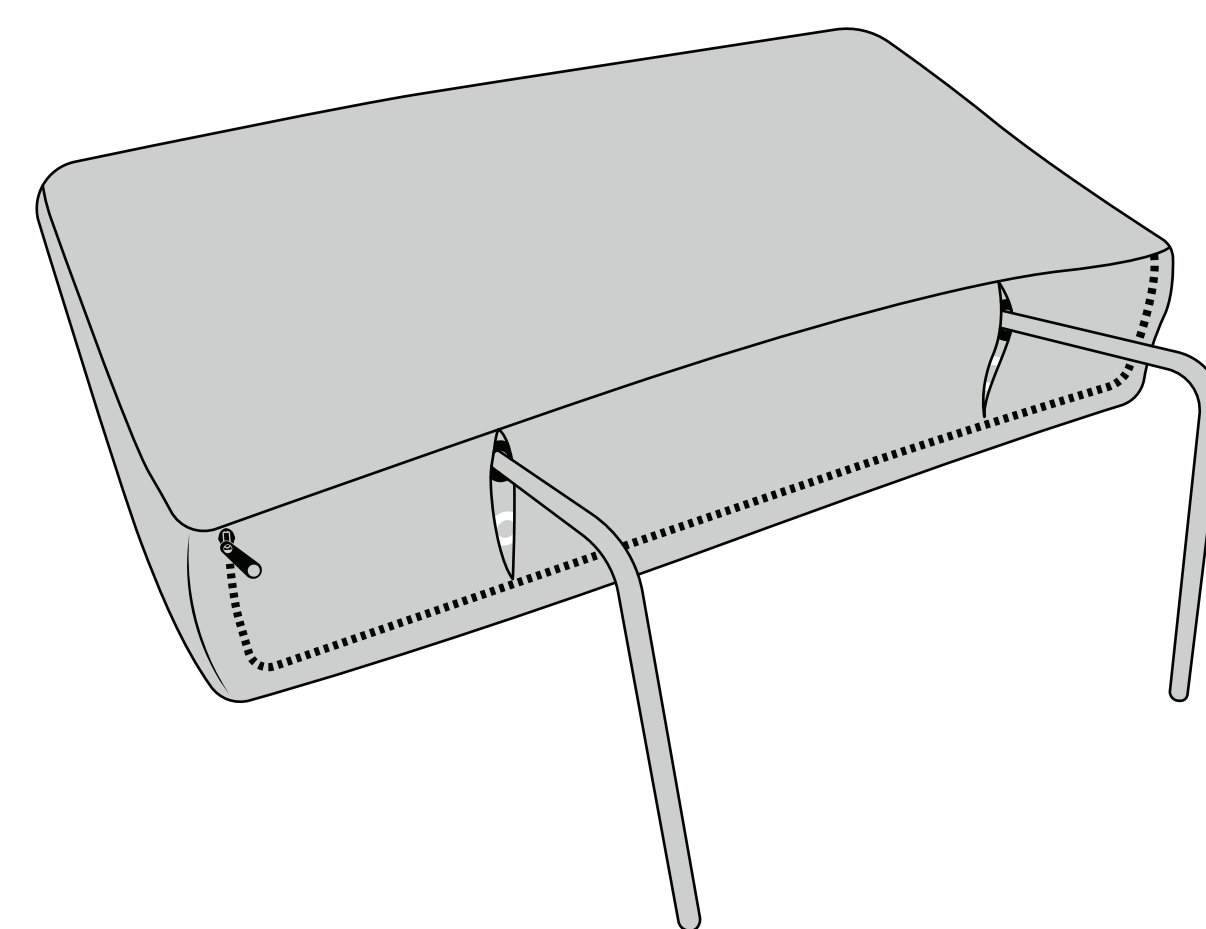
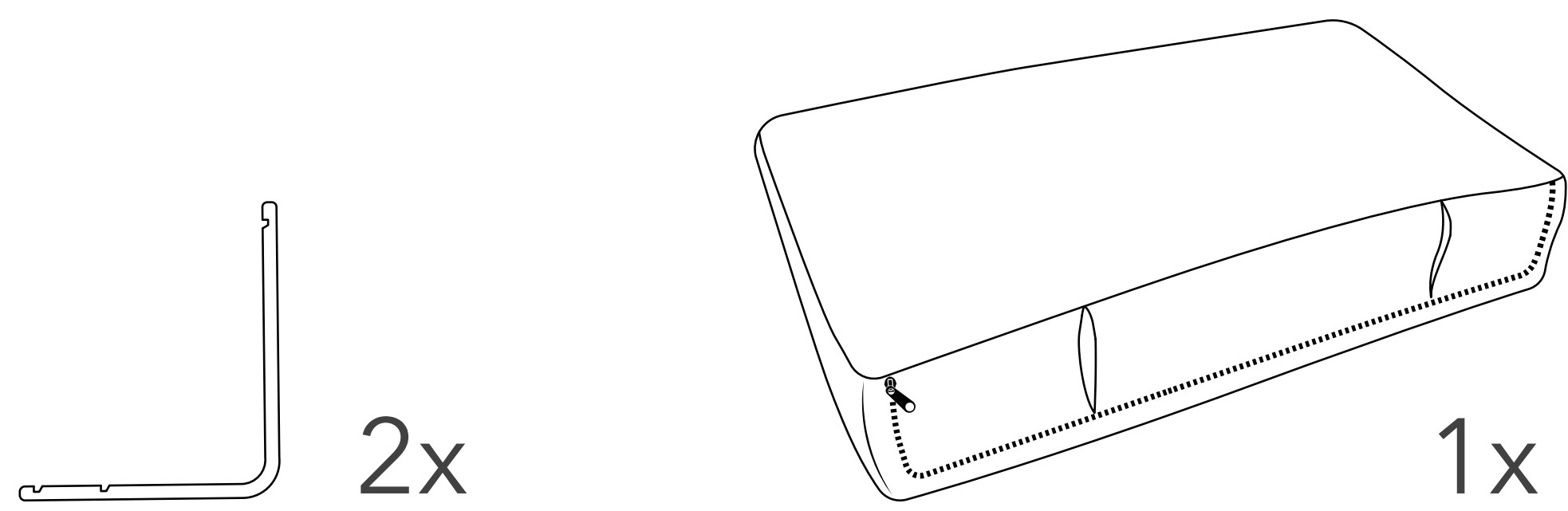
8 Attach felt pads to the legs



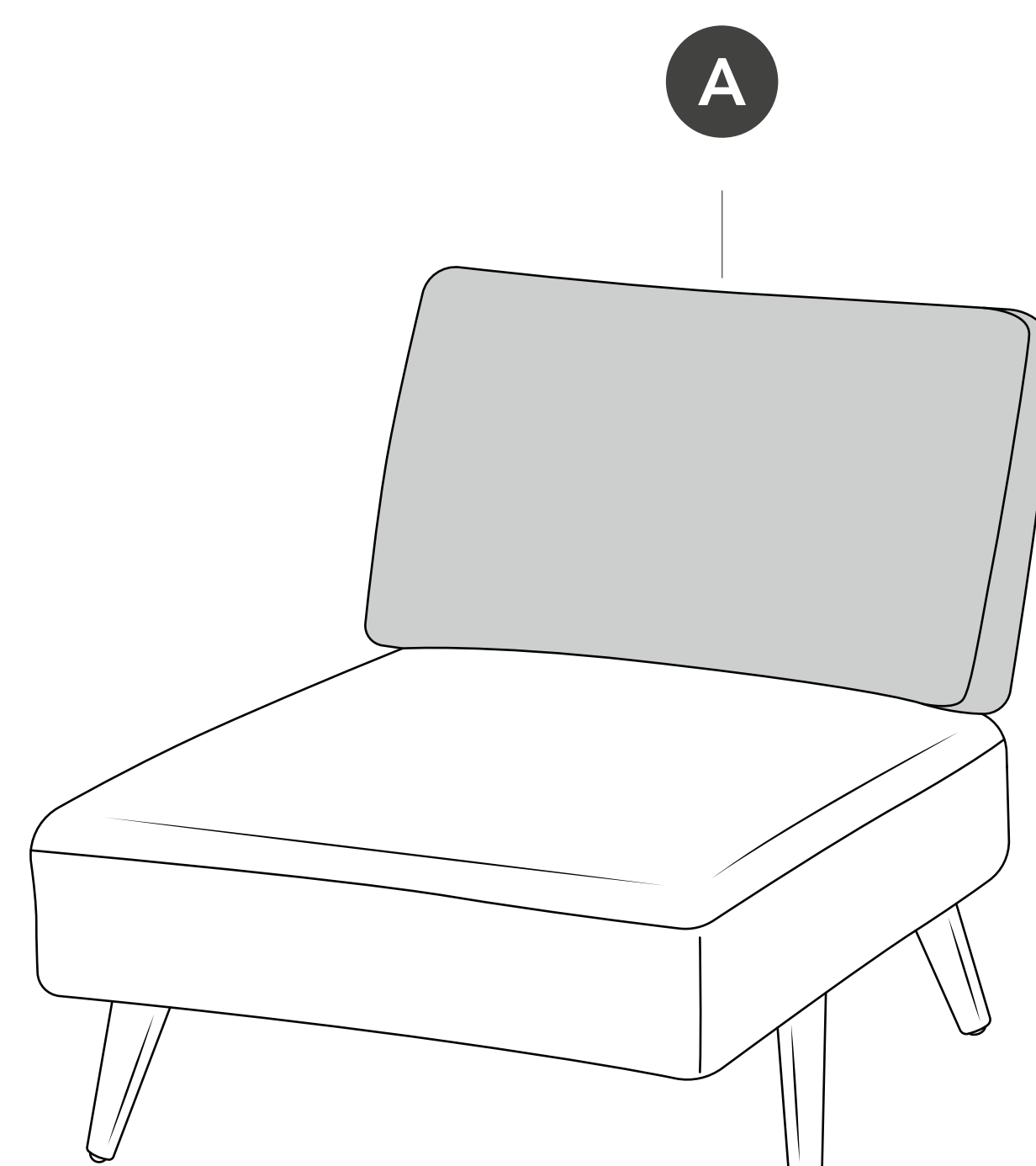
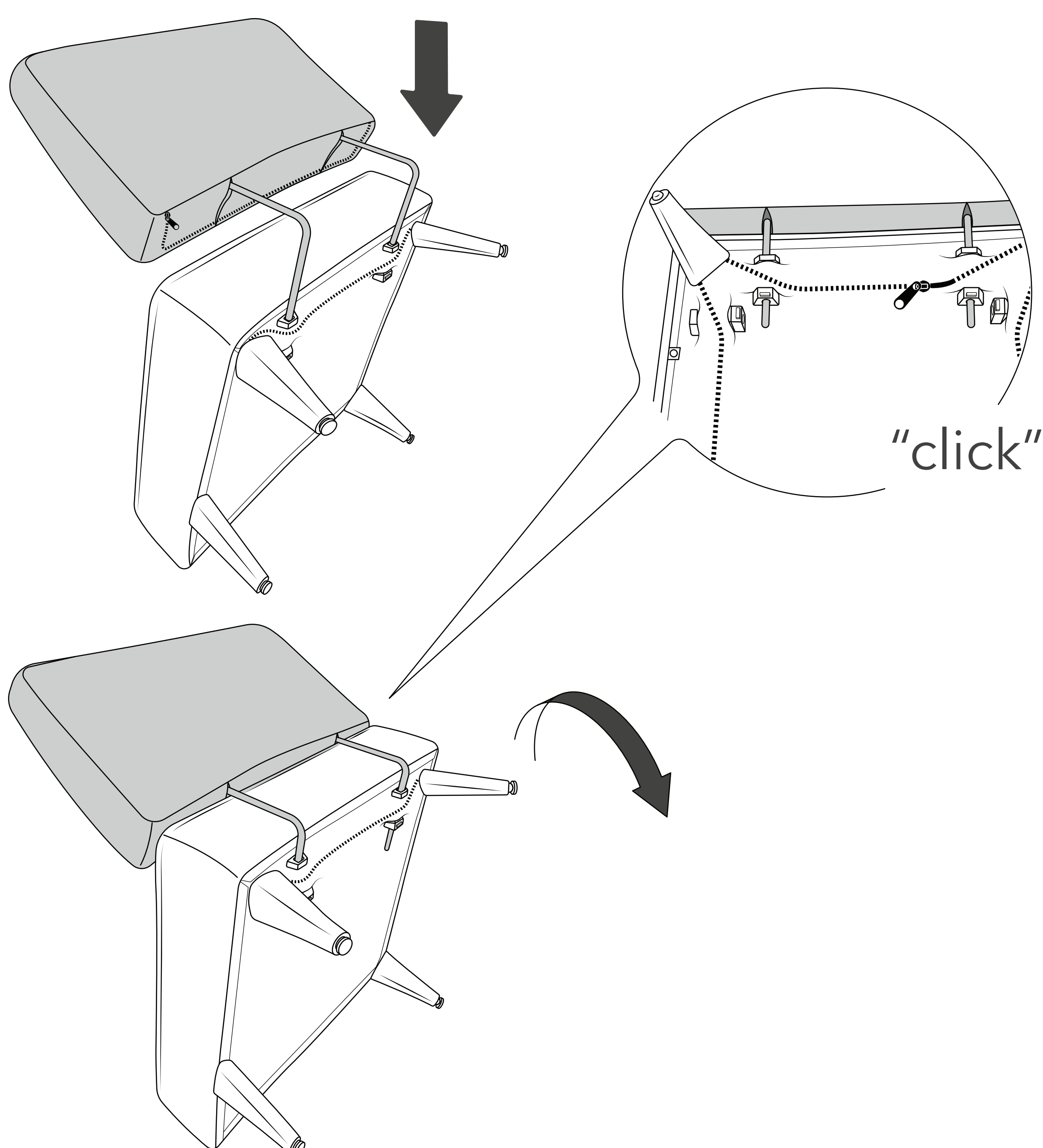
9 Rotate seat A 90°



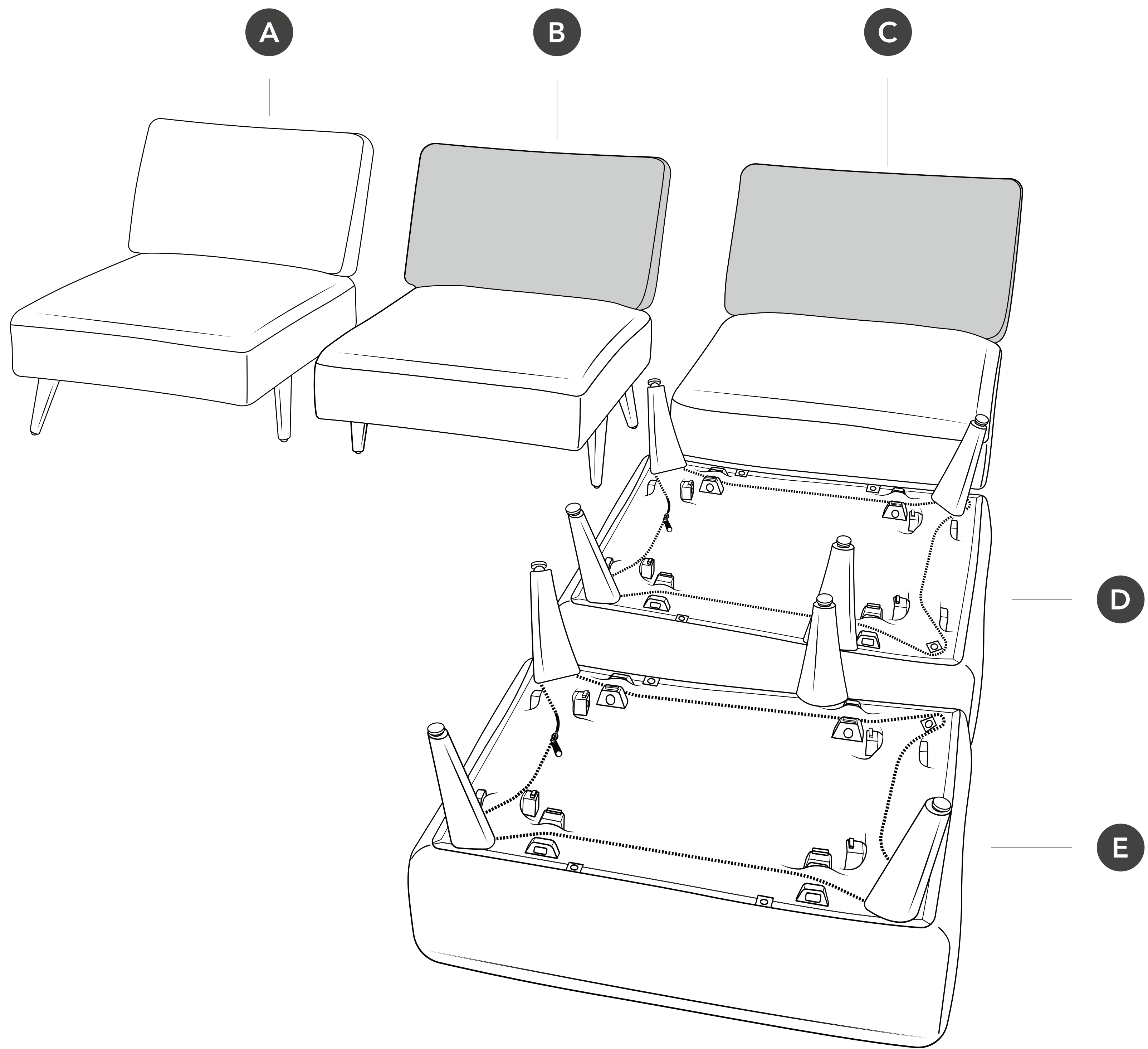
10 Insert L brackets into cushion
Insert end with one groove into black hole



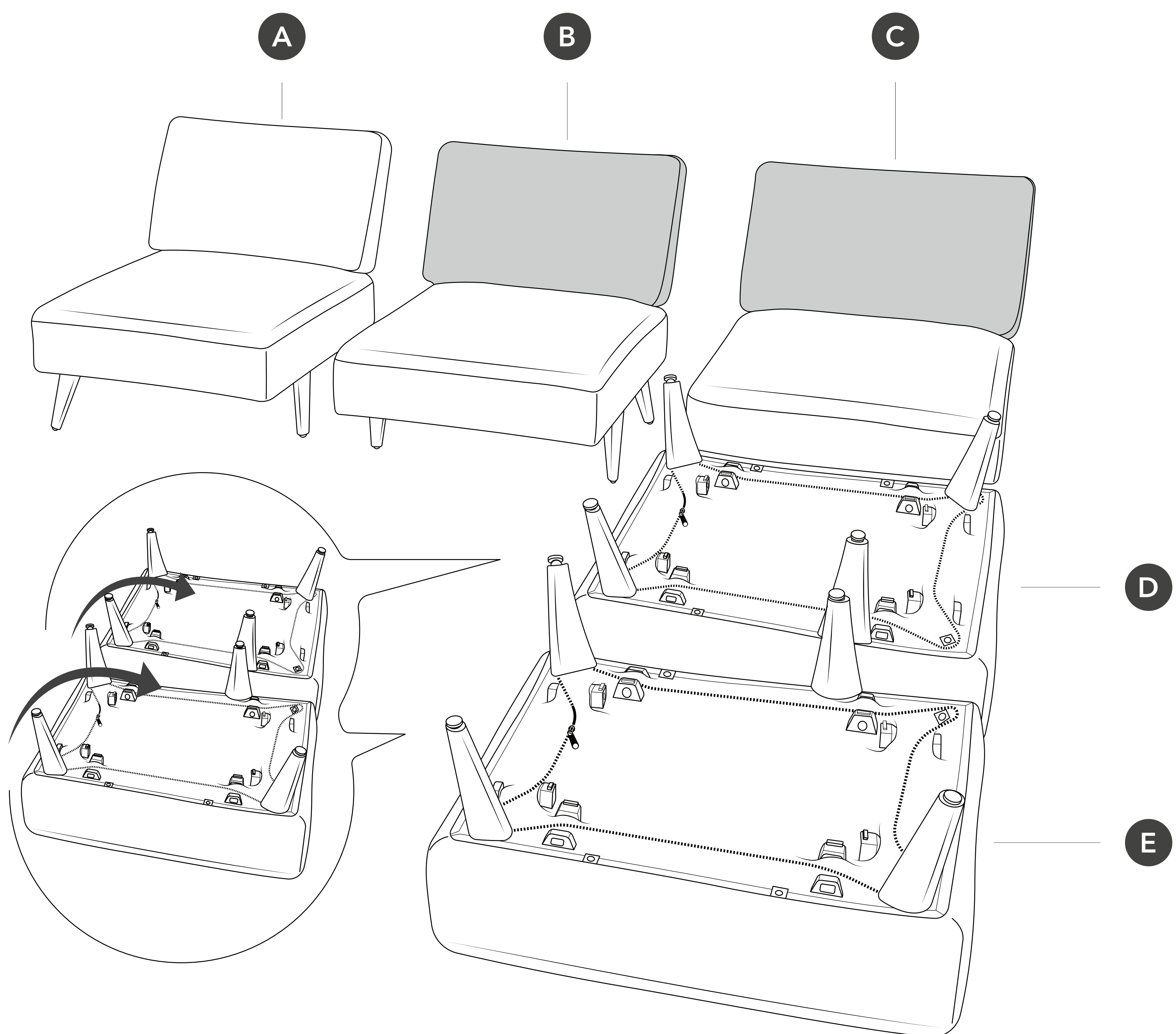
11 Attach cushion to seat A
Insert brackets into seat. Listen for the clicks.



12 Repeat for cushions B and C



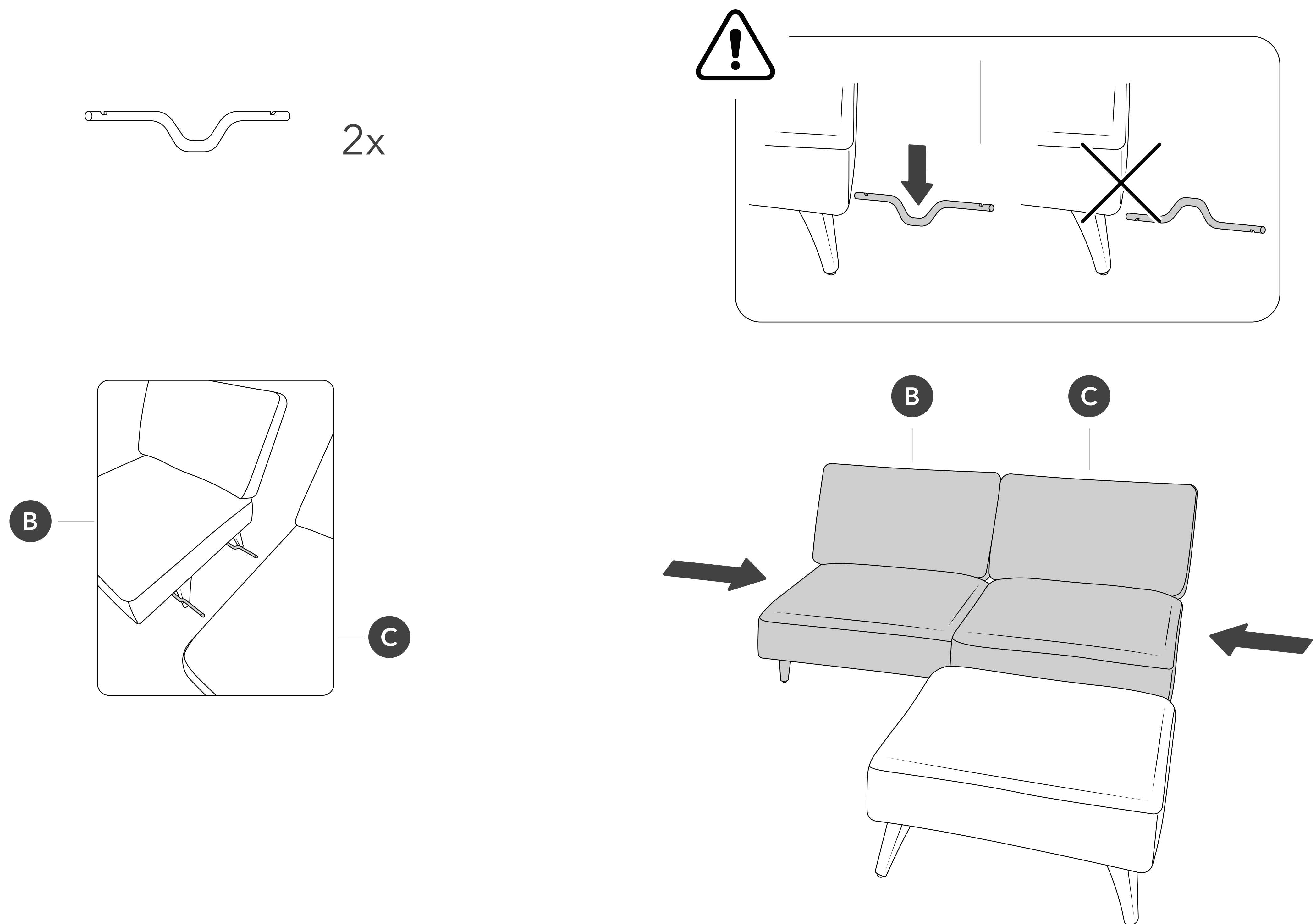
13 Rotate seats D and E 180°



14

Join seats B and C

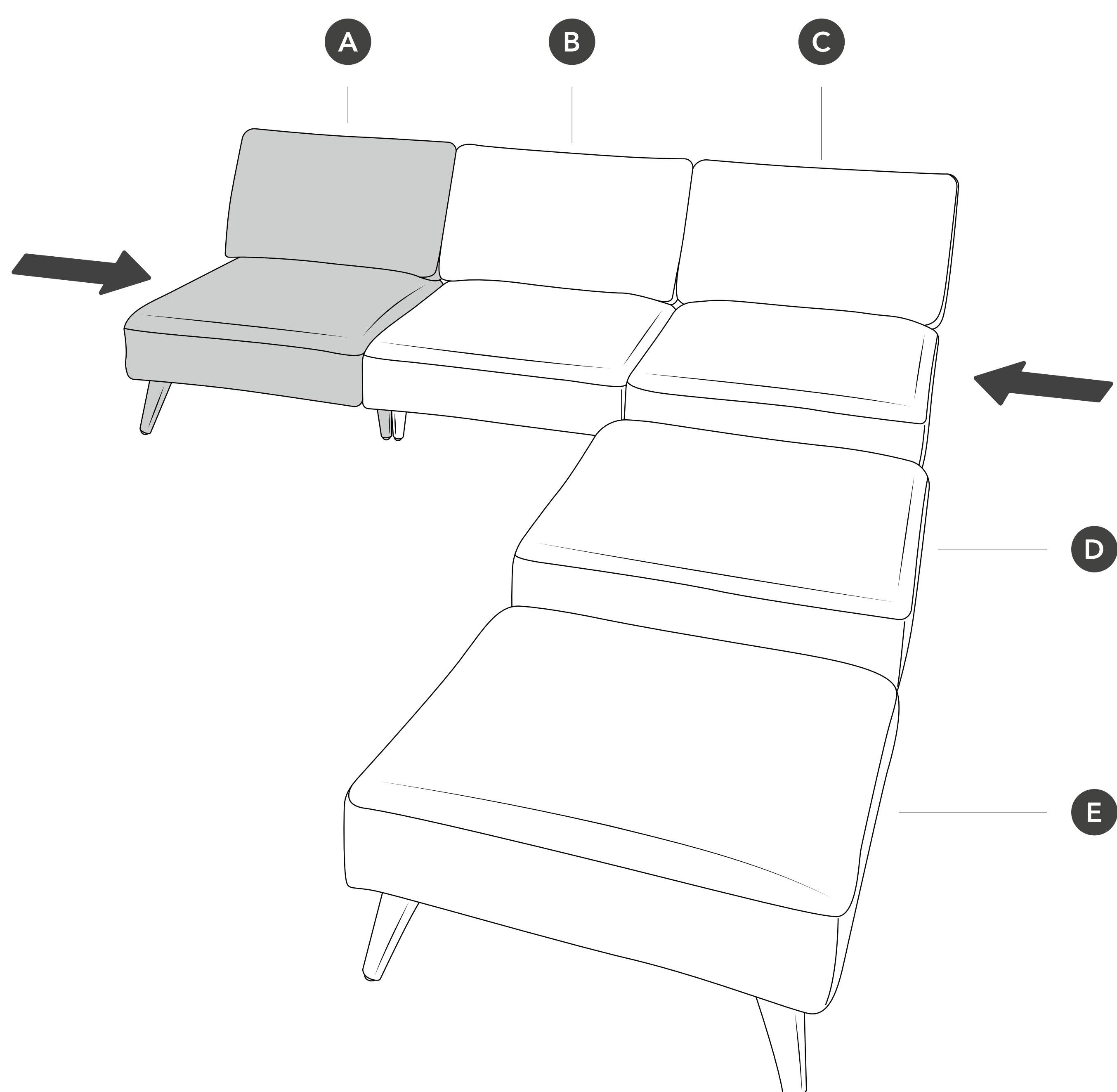
Insert joiner brackets into seat B and then slide seat C onto joiner brackets. Listen for the clicks.



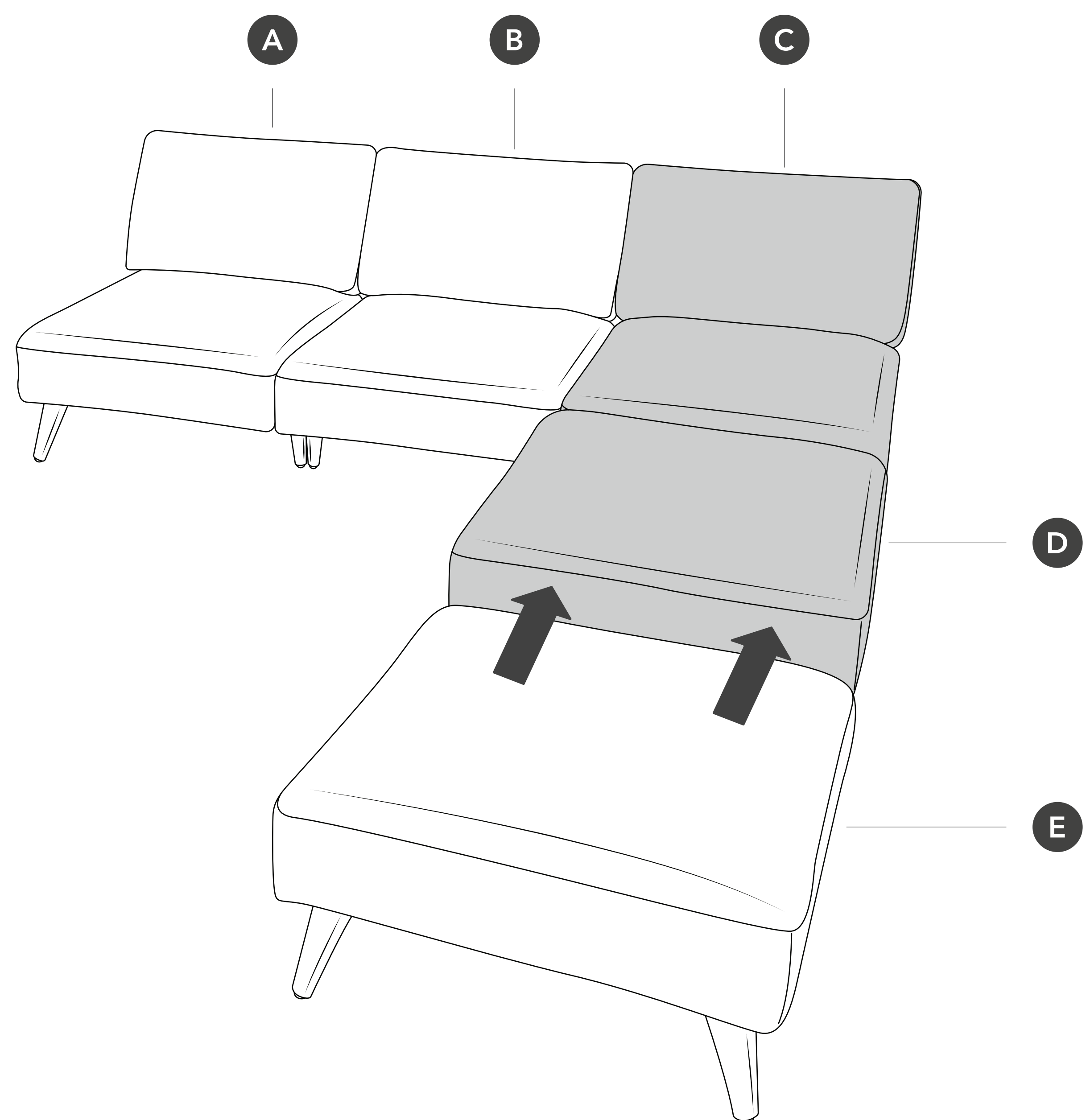
15

Join seats A and B

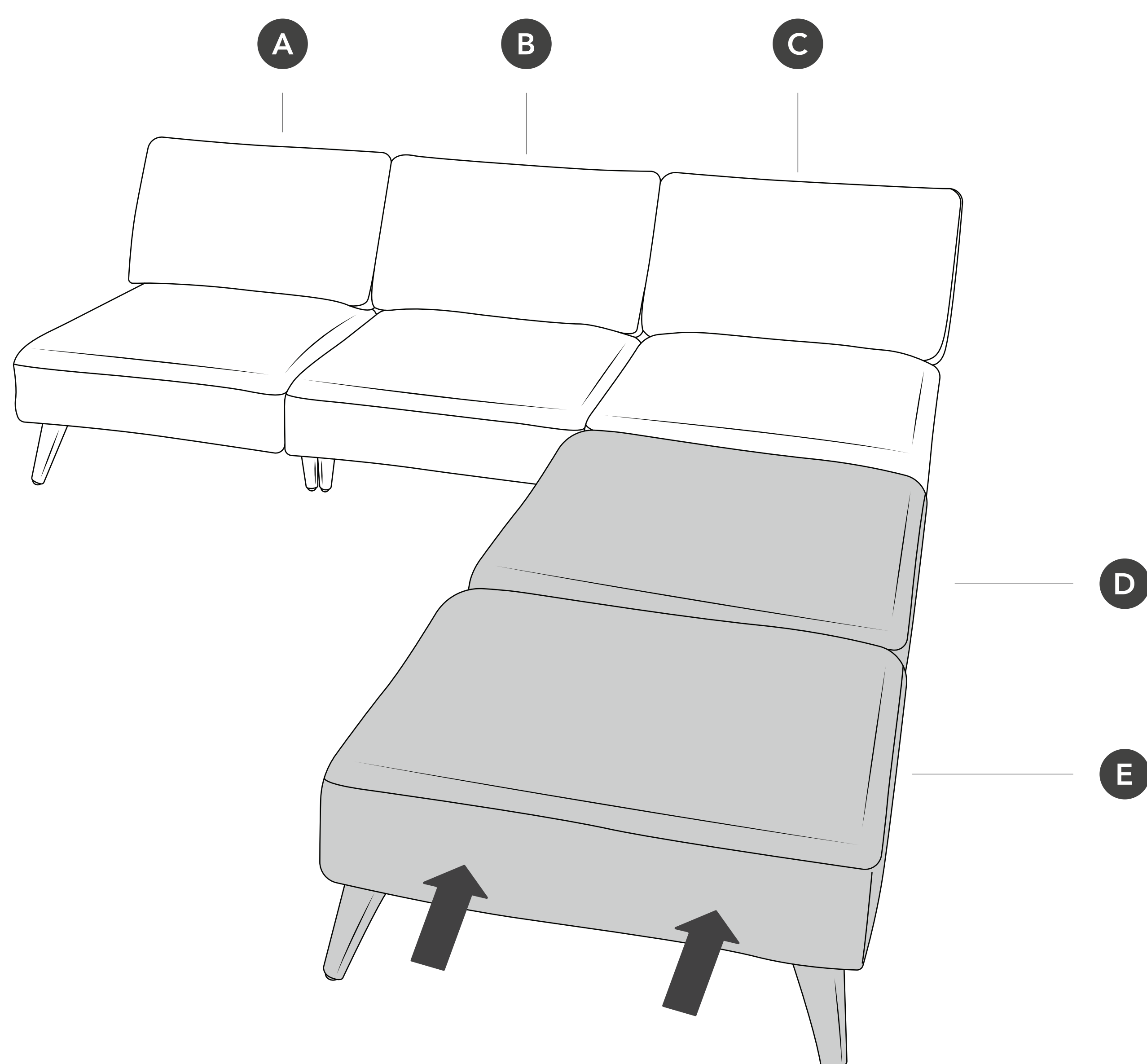
Listen for the clicks.



16 Join seats C and D
Listen for the clicks.



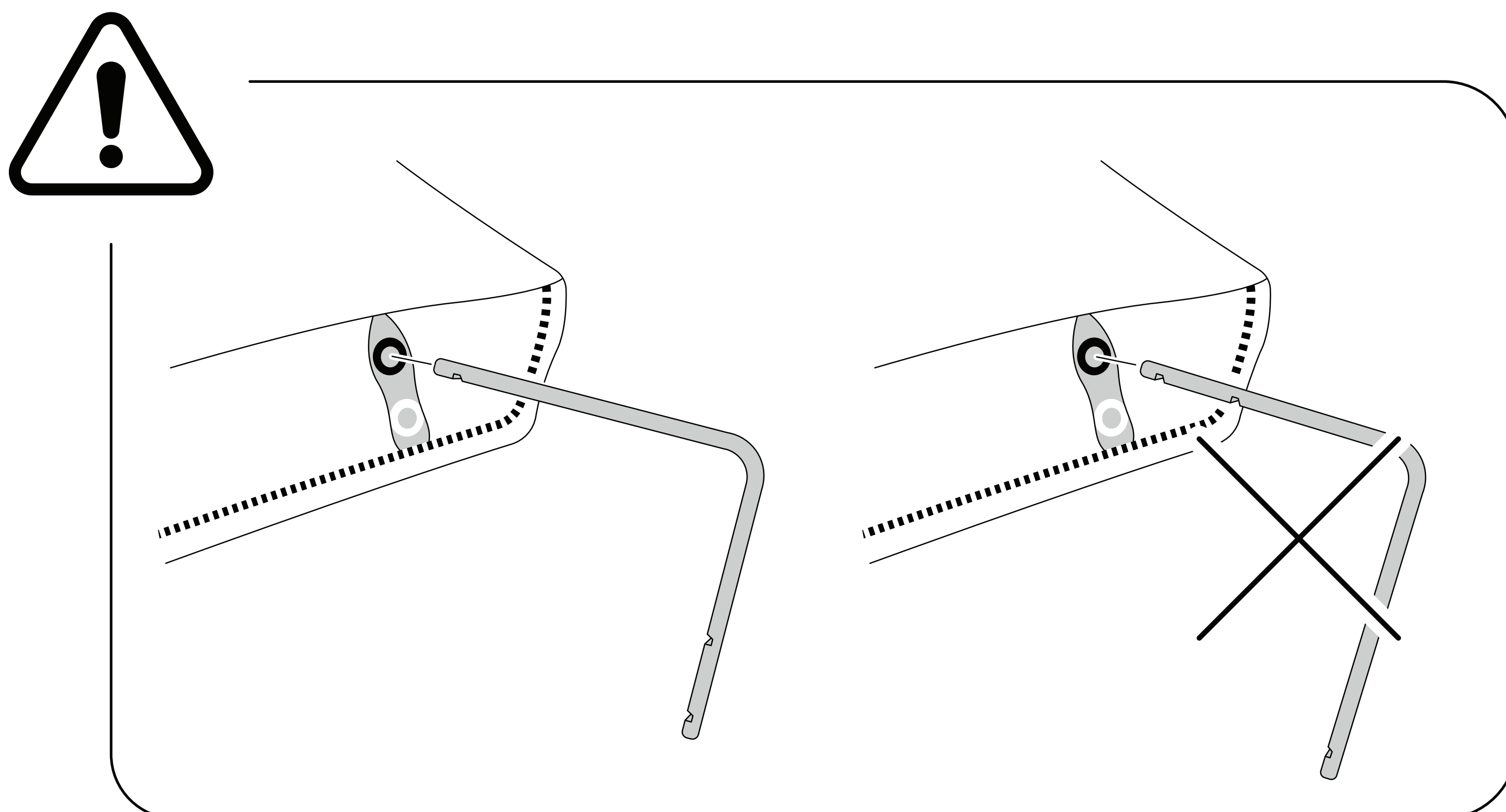
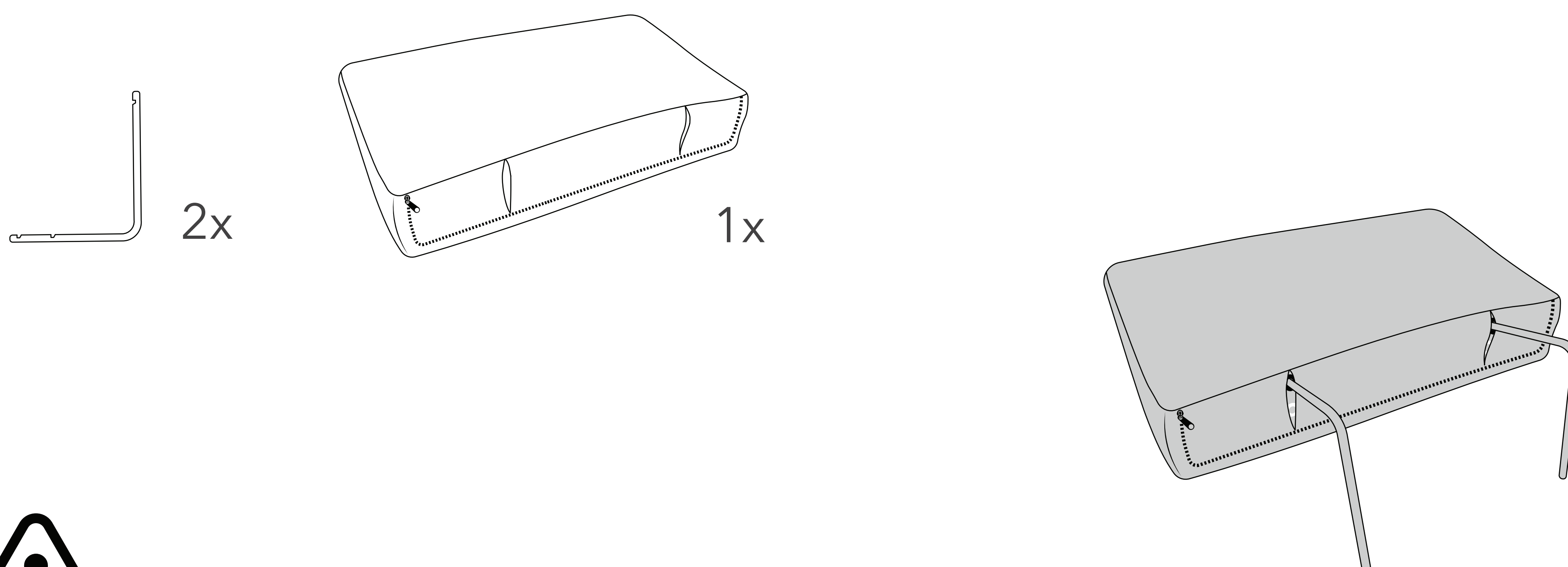
17 Join seats D and E
Listen for the clicks.



18

Insert L brackets into cushion

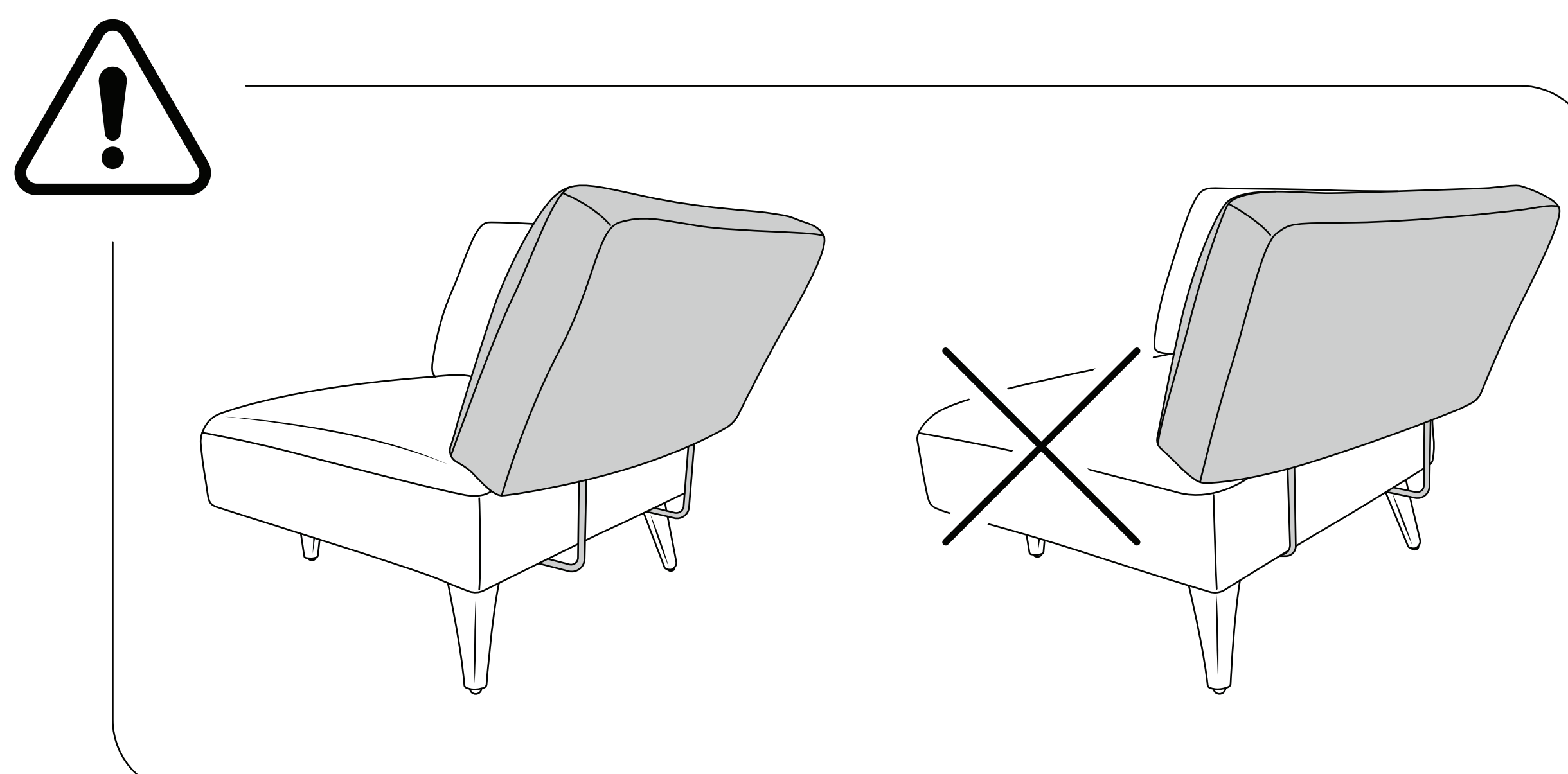
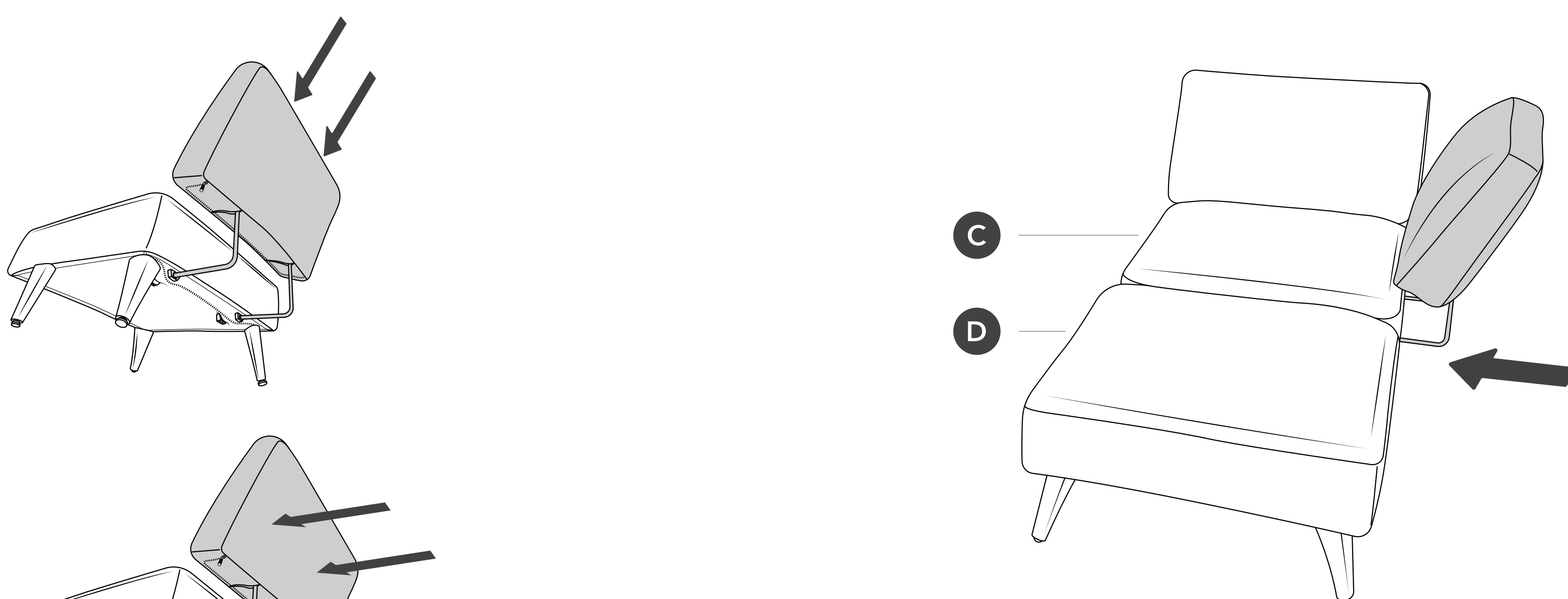
Insert end with one groove into black hole



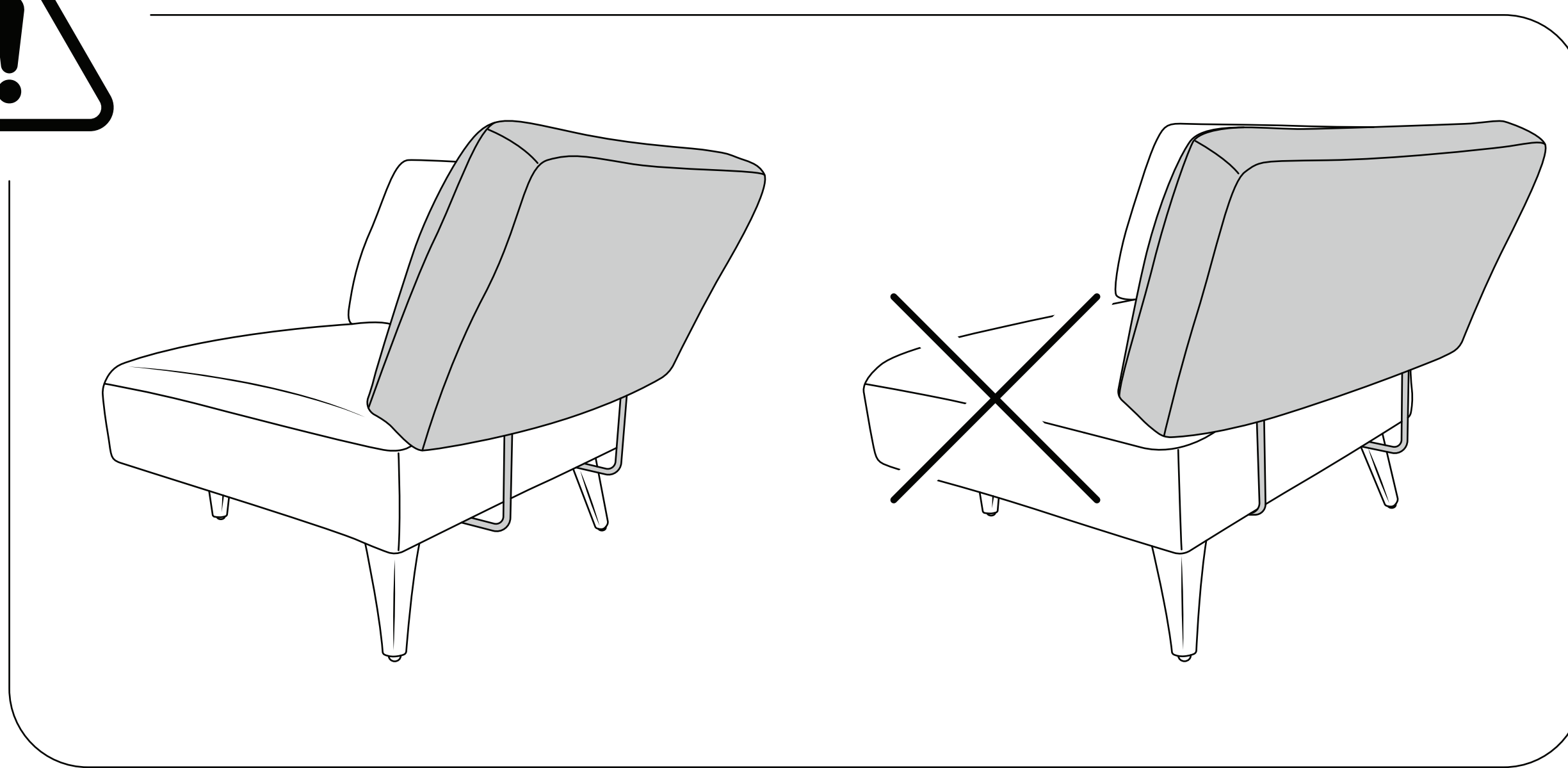
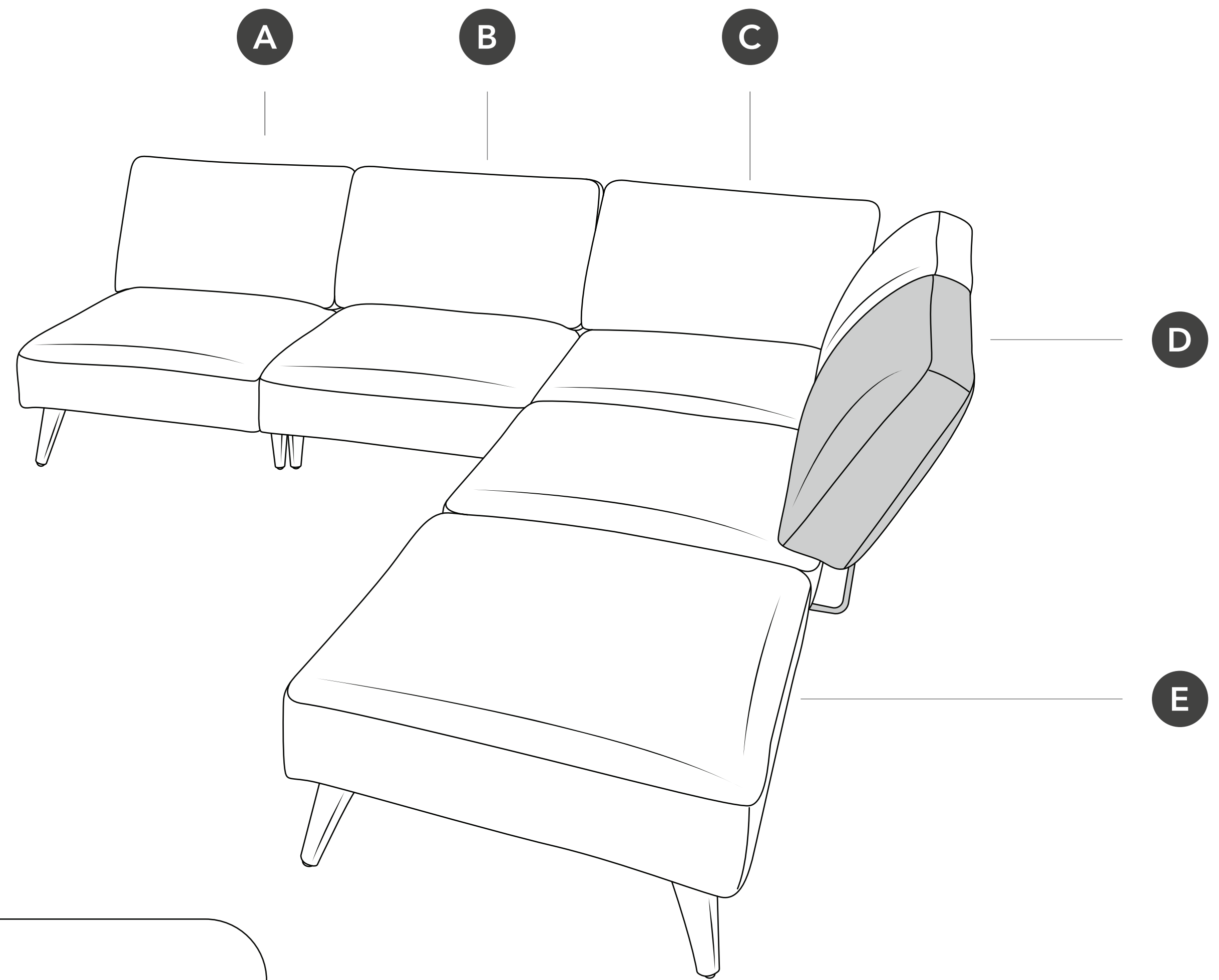
19

Attach cushion to seat C

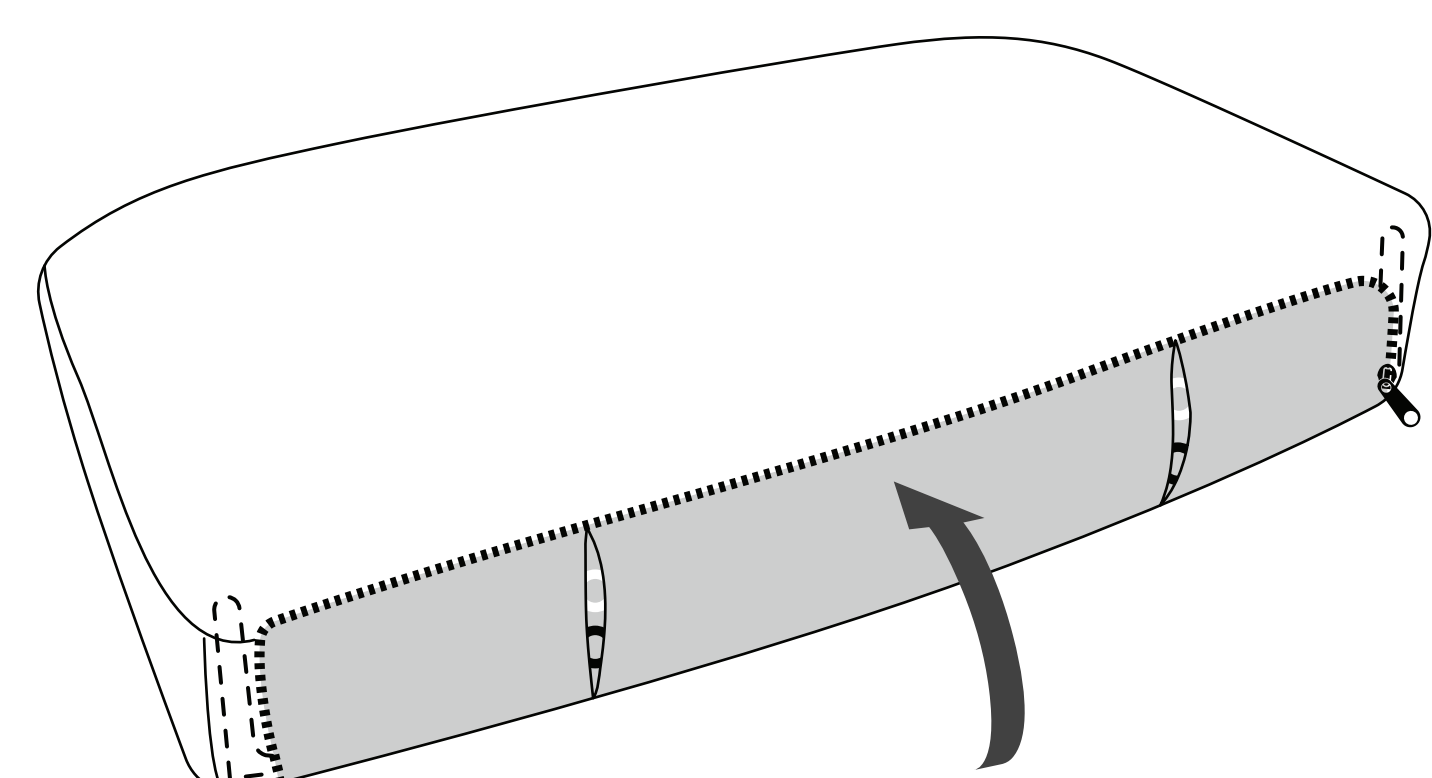
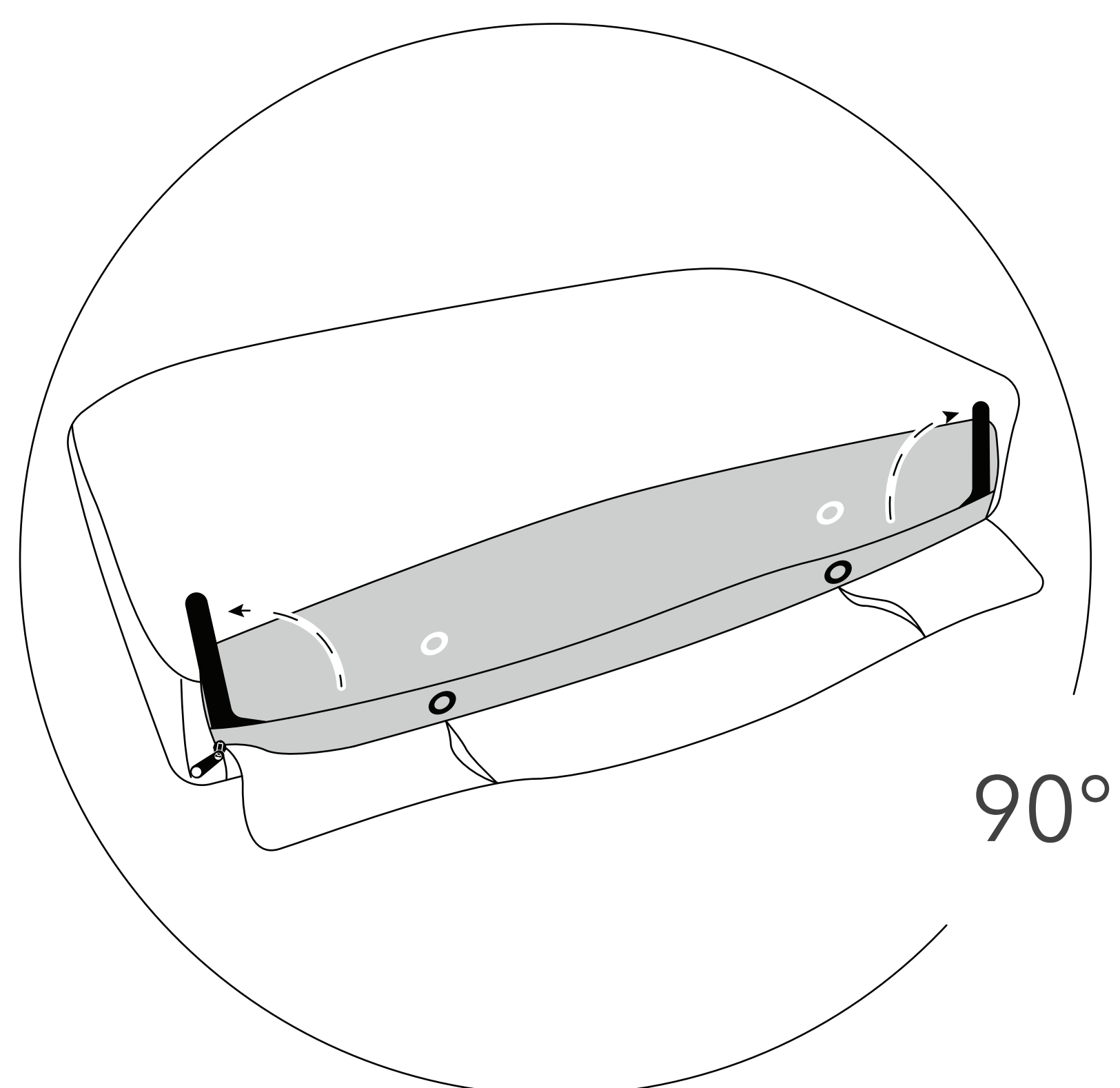
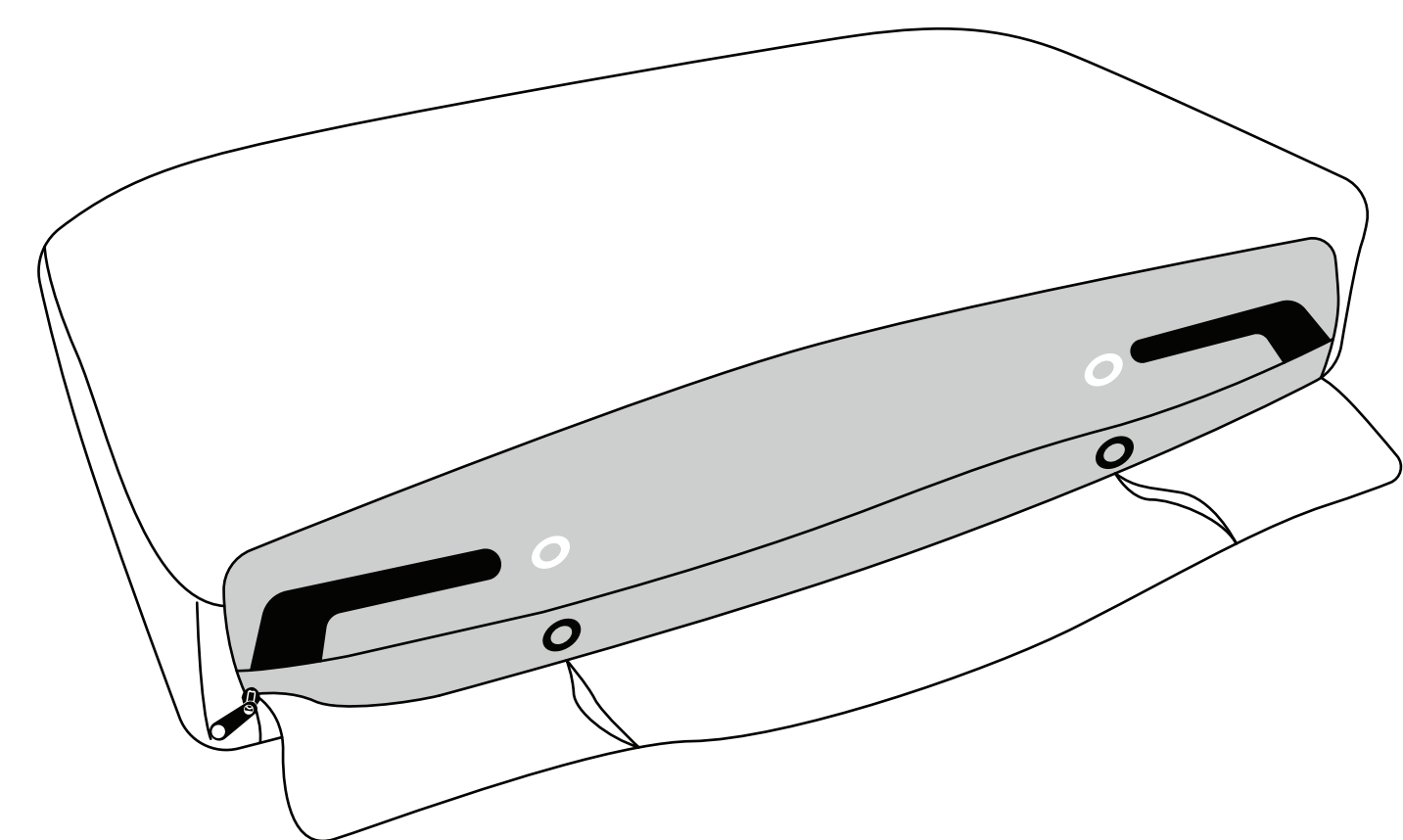
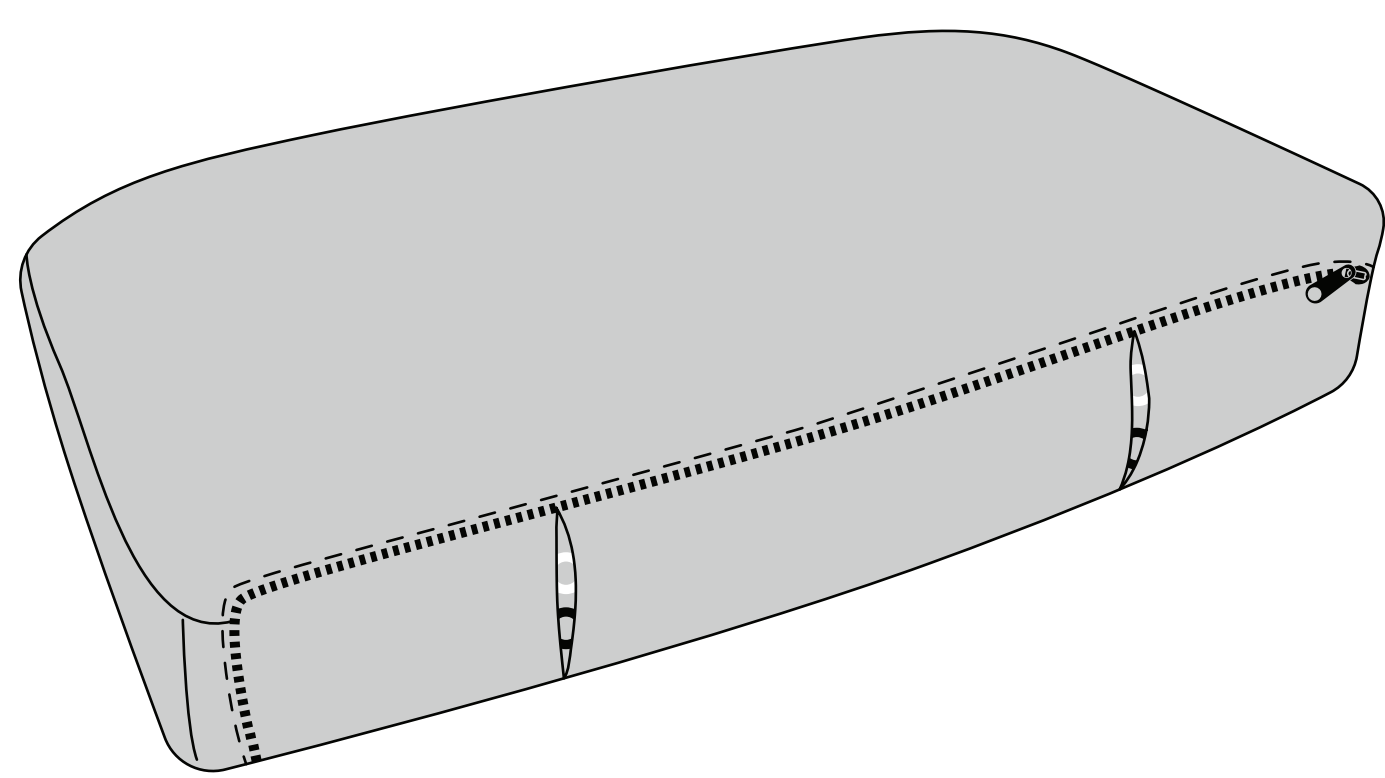
Insert brackets into seat C. Listen for the clicks.



20 Attach cushion to seat D
Listen for the clicks.



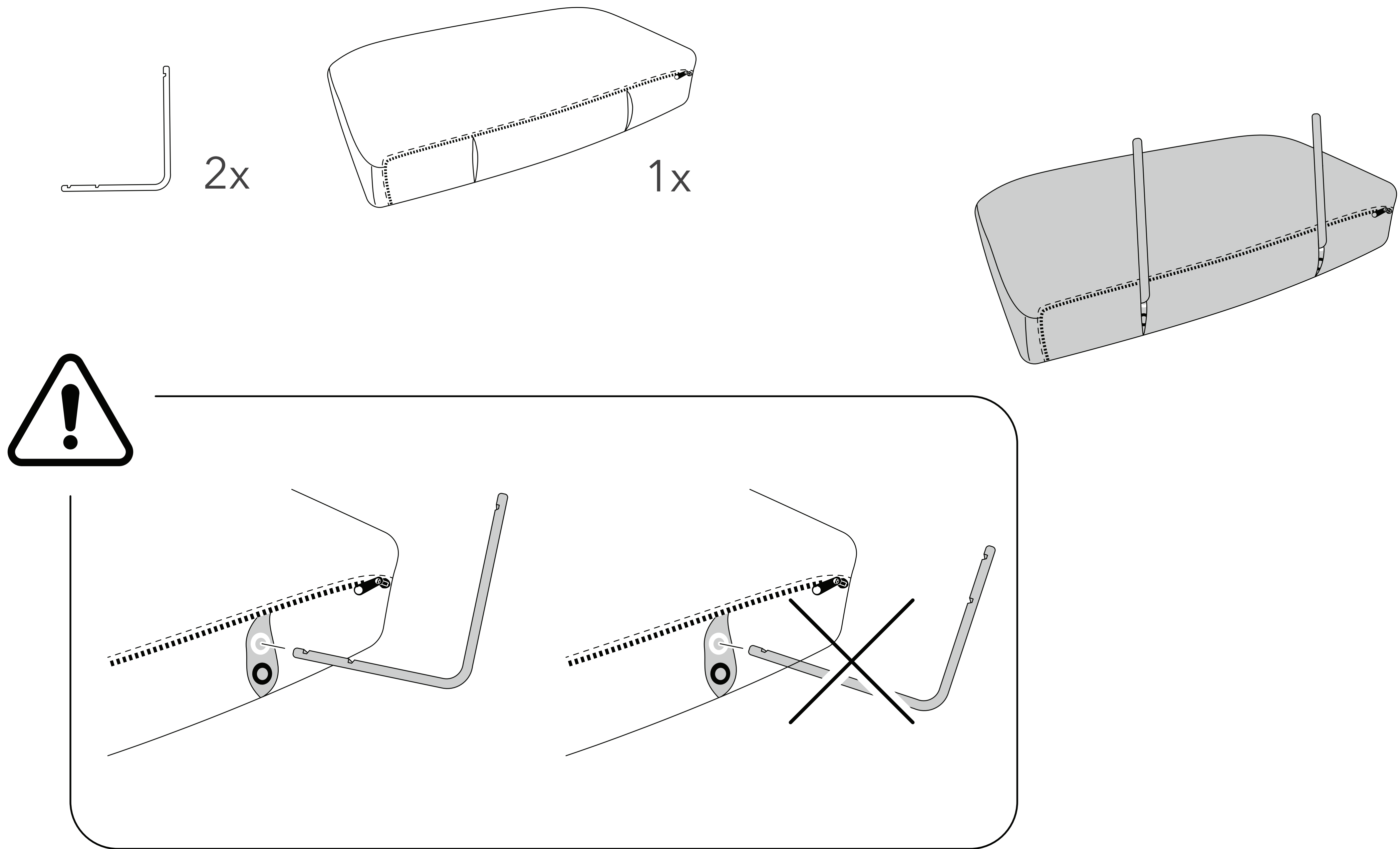
21 Adjust cushion for use as an arm
Unzip cover and swing black brackets 90°. Zip cover closed.



22

Insert L brackets into cushion

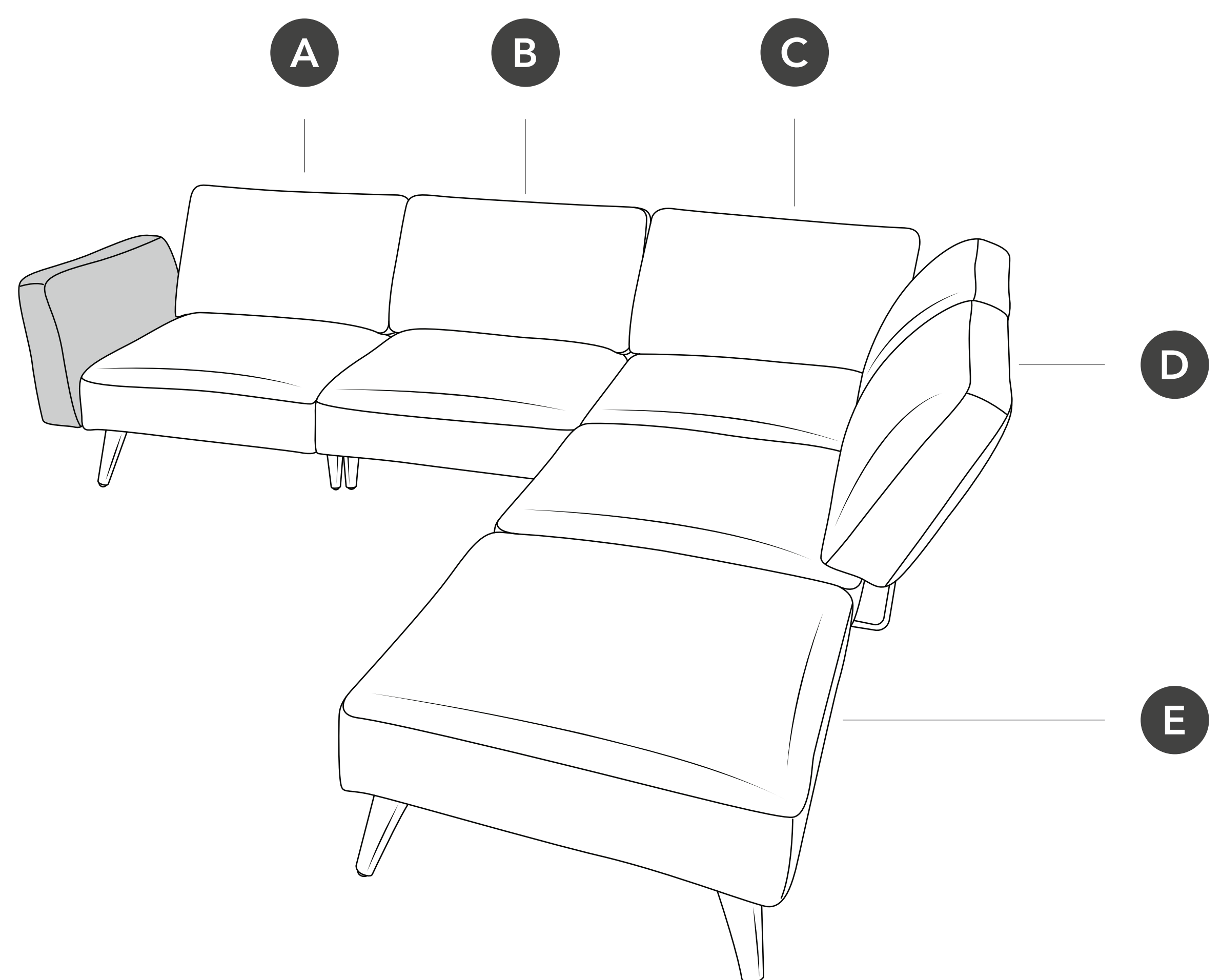
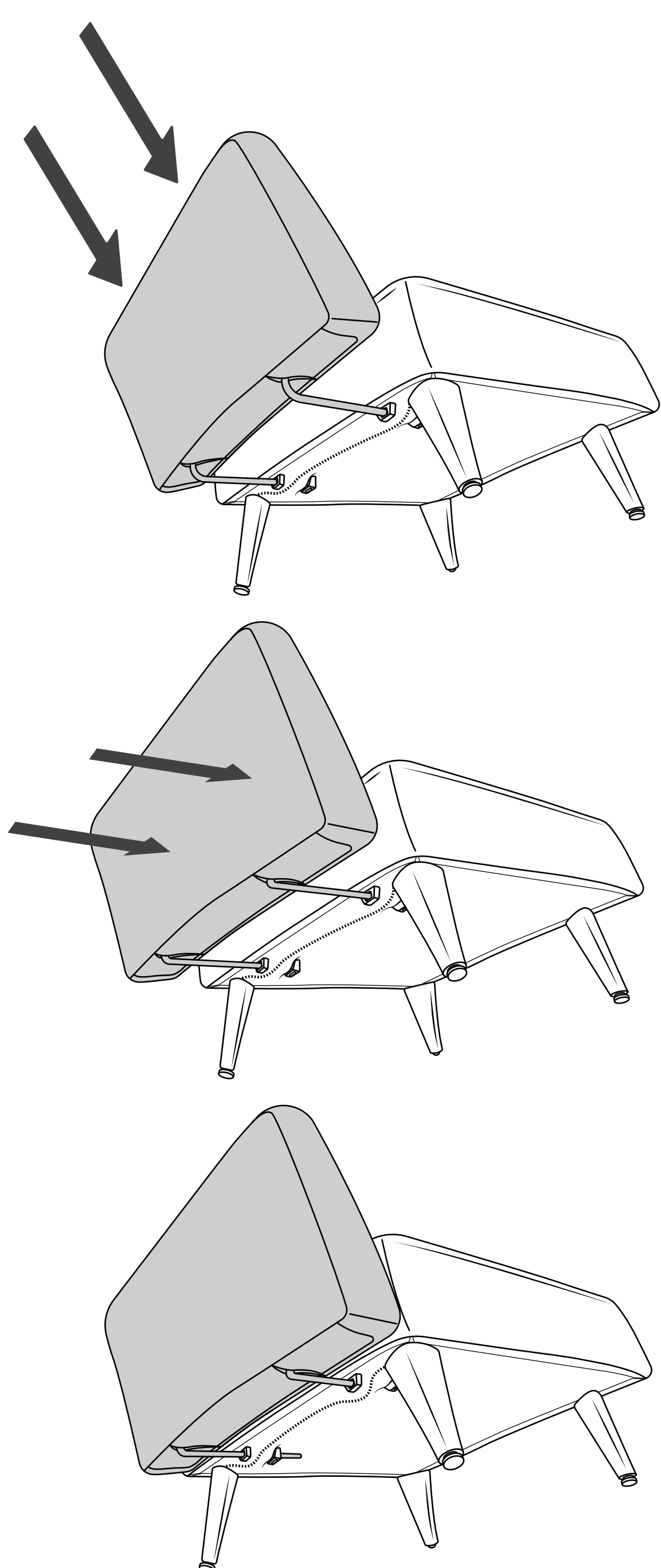
Insert end with two grooves into white hole

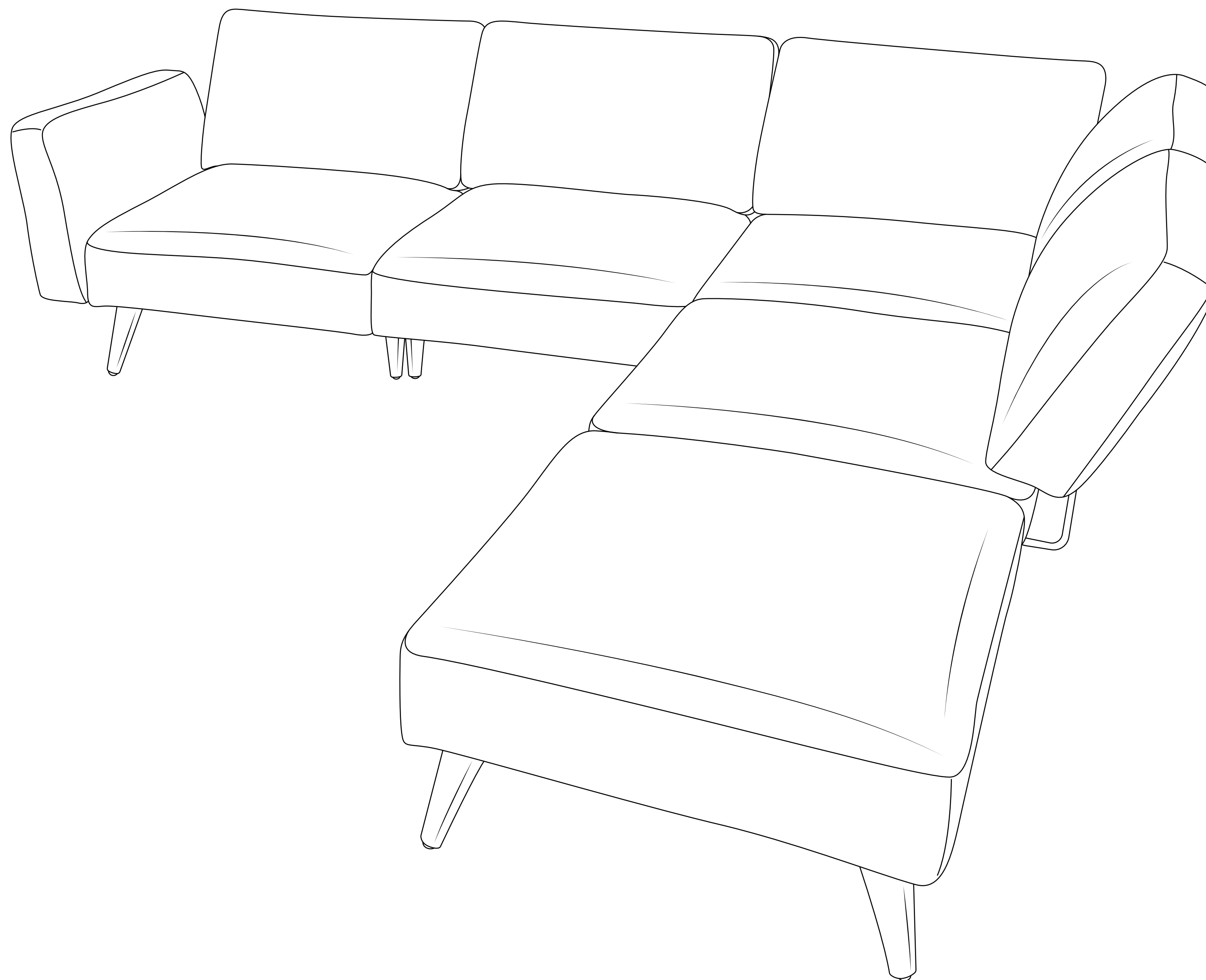


23

Attach cushion to seat A

Insert brackets into seat. Listen for the clicks.





We're here to help

For help and support contact us live on chat or email us at support@wattleliving.com